

Product Description

S
p
e
c
i
f
i
c
a
t
i
o
n
P
E
m
b
e
d
d
d
N
d
M
e
n
i
s
m
a
l
l
d
r
o
p
b
o
l
t
l
o
c
k

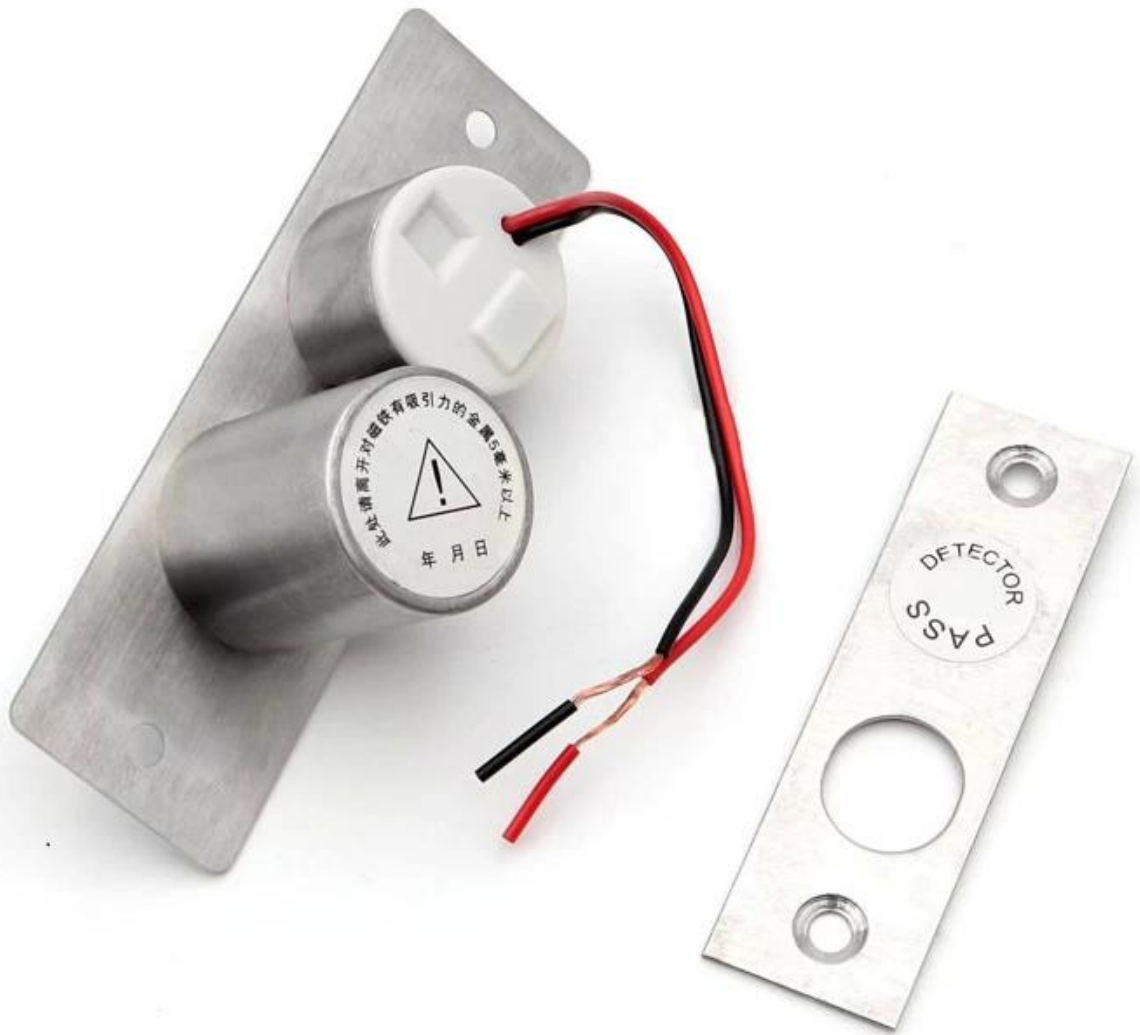
W
C
t
R
V
n
g
v
o
l
t
a
g
e
C
m
A
(
S
h
a
n
d
b
y
)
,
4
5
m
A
(
S
t
a
r
t
)
L
Ø
b
k
d
Ø
m
S
h
S
B
m
m

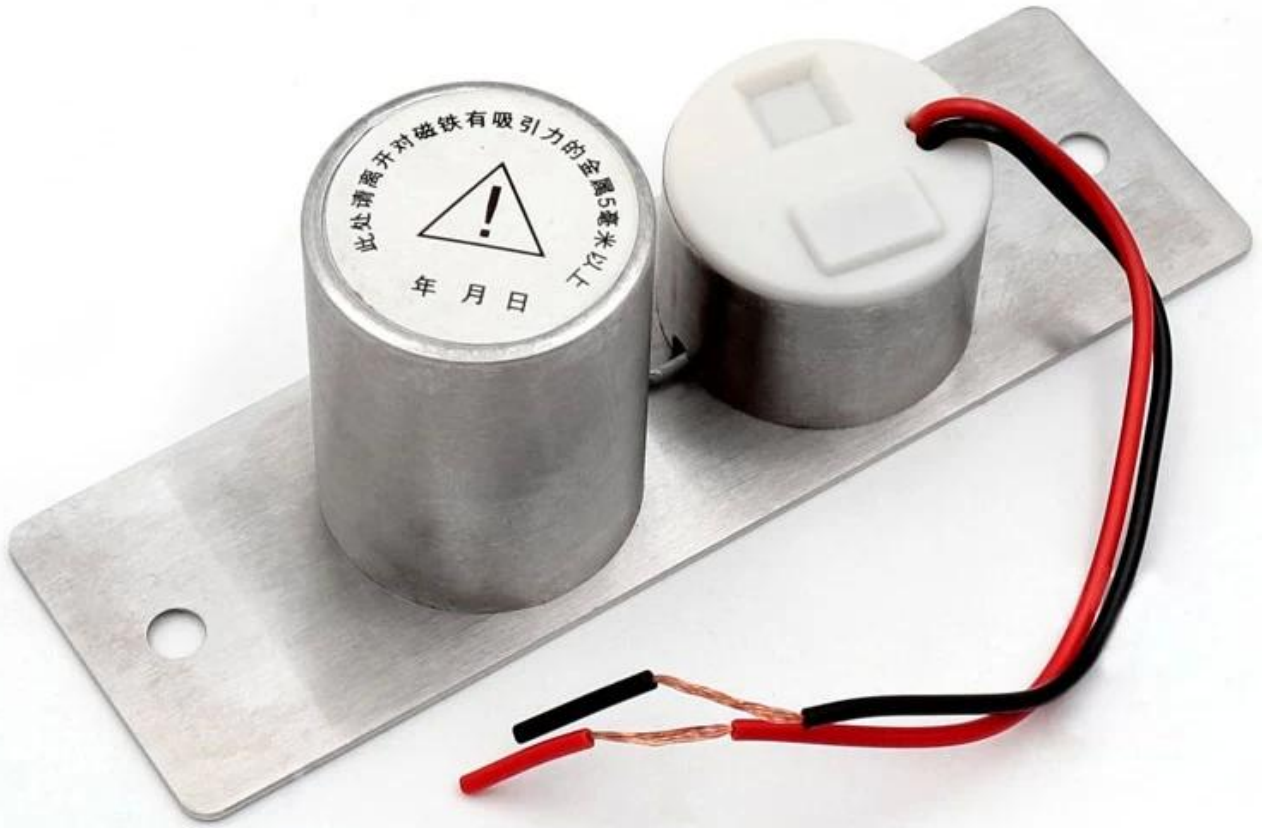
Q
B
h
a
6
u
b
m
p
l
a
t
e
M
a
a
e
n
l
a
s
s
S
t
e
e
l

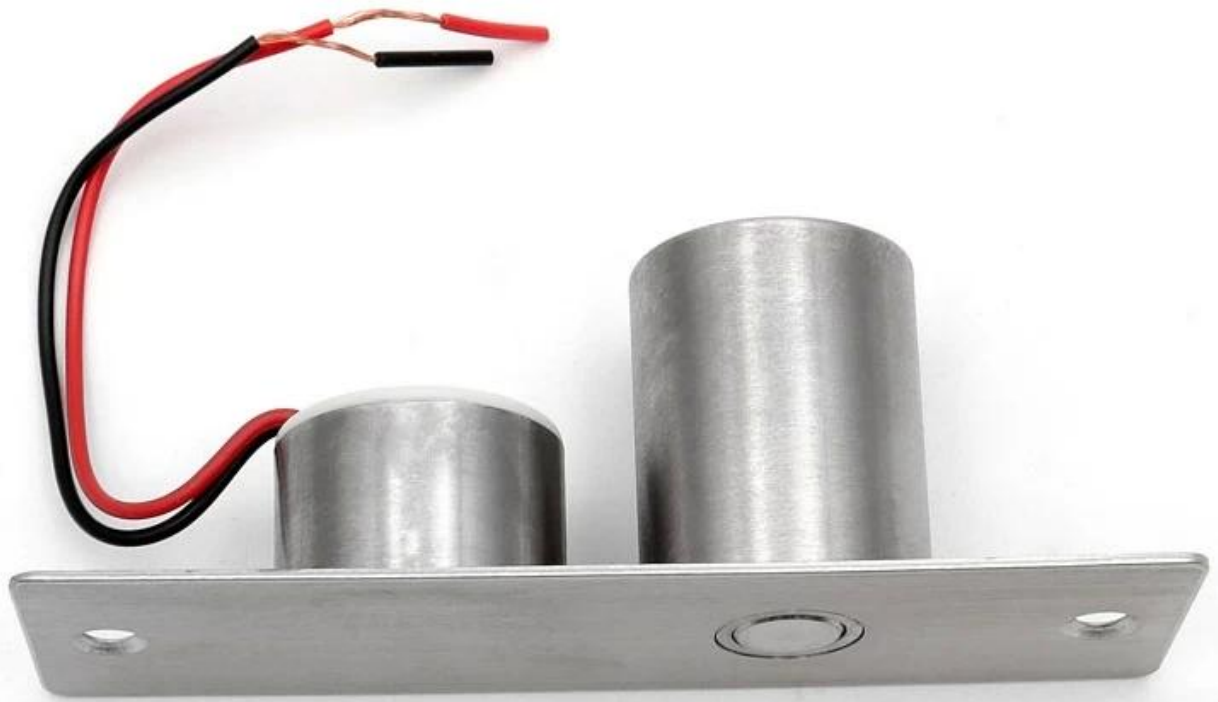
Features

1. Fail safe operation
2. Tested to 500000 cycles
3. Low power consumption
4. Reverse current protection PCB
5. Reliable locking mechanism
6. Durable and silence operation
7. Full range of optional brackets
8. Suitable for wooden door,glass door,metal door,fireproof door,etc

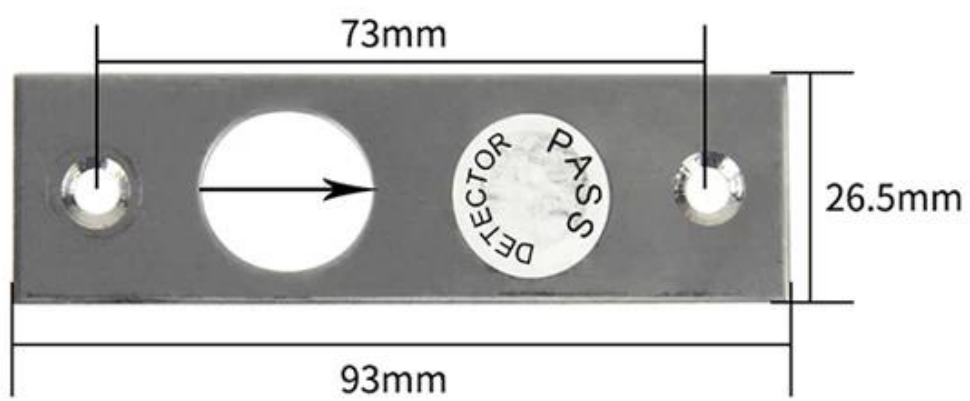
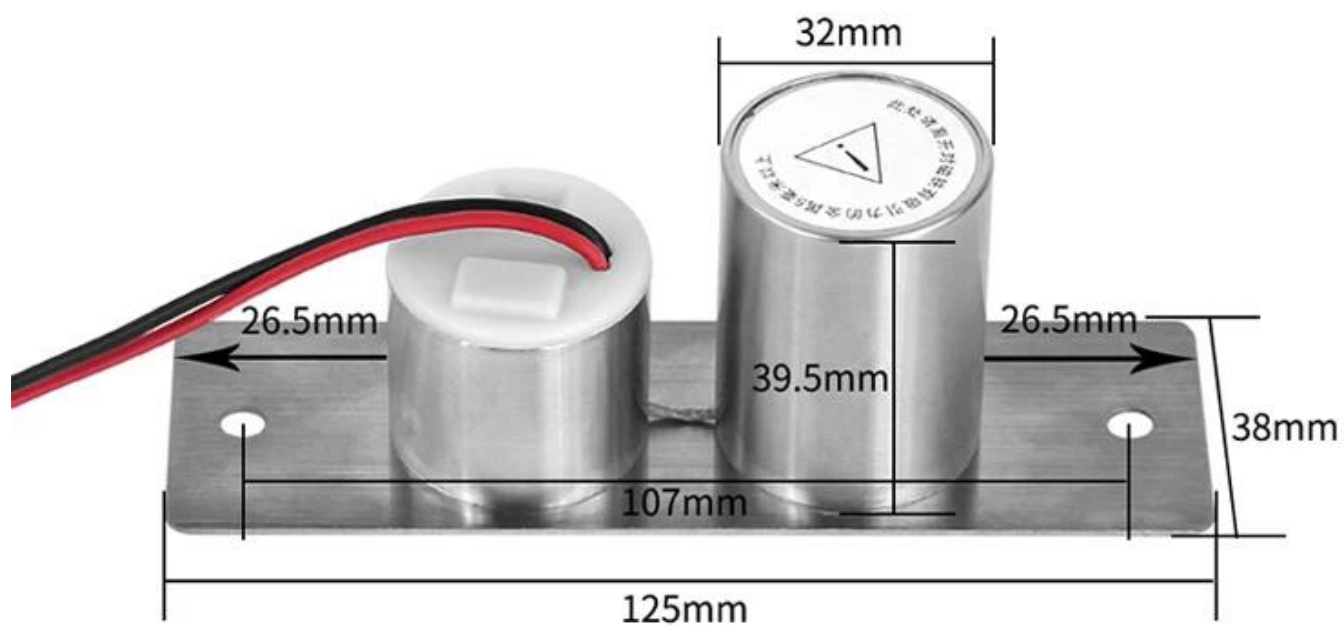
Detailed Images

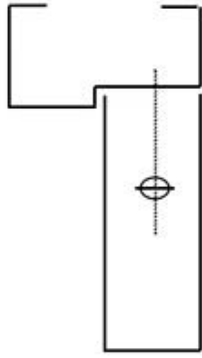




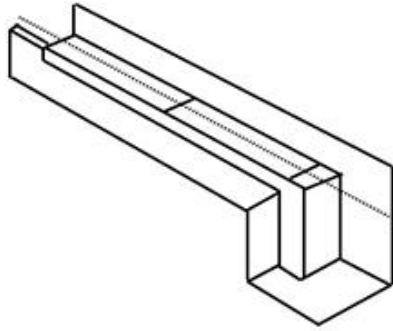




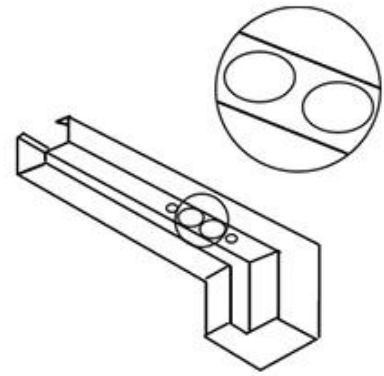




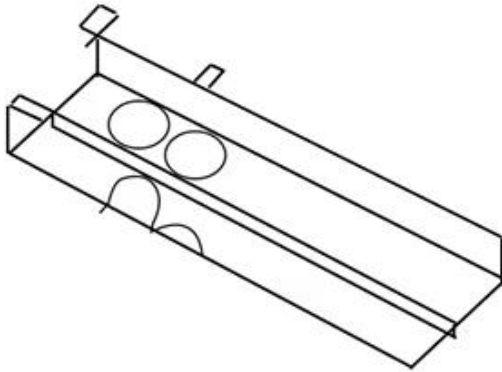
1. Double confirm the distance between door and door frame



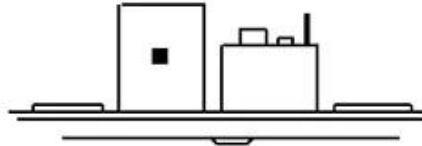
2. Stick the plate



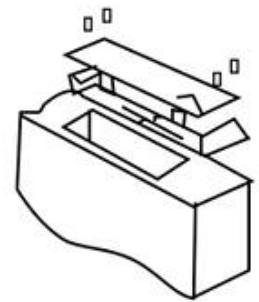
3. Drill a hole



4. Fix it with screws



5. Fix the armature plate on the door frame



6. After installed, power on and test