



## **ZL Type Small Metal Brackets for Glass Wooden Door Lock**

1. It is made of two parts and it is used on the inward door.
2. ACM-180ZL/ACM-280ZL/ACM-350ZL/ACM-500ZL/ACM-750ZL are for your choice.
3. High Strength Aluminum is the main constitute.Special Aluminum, Firm and Durable.Special Design, Suitable with all kinds of Doors.The Best Choice of Access Control.

L : 17  
x 4  
x 29  
( m m )  
Z : 13  
x 38  
x 38  
( m m )  
( 18  
Z L )  
L : 25  
x 47  
x 28  
( m m )  
Z : 18  
x 55  
x 5  
( m m )  
( 28  
Z L )  
L : 28  
x 54  
x 31  
( m m )  
Z : 18  
x 77  
x 61  
( m m )  
( 5  
Z L )  
L : 28  
x 88  
x 51  
( m m )  
Z : 19  
x 76  
x 61  
( m m )  
( 7  
Z L )

H  
i  
g  
h  
S  
t  
r  
e  
n  
g  
t  
h  
A  
l  
u  
M  
a  
n  
e  
m  
i  
S  
h  
n  
d  
b  
l  
a  
s  
t  
F  
i  
n  
i  
s  
h  
e  
d  
N  
S  
n  
r  
b  
w  
D  
o  
r  
O  
p  
e  
n  
r  
a  
g  
M  
o  
d  
e  
K  
n  
o  
d  
s  
h  
e  
d  
d  
b  
u  
h  
h  
e  
l  
m  
.  
4  
k  
g  
/  
7  
5  
k  
g  
/  
W  
e  
i  
g  
h  
t  
1  
.  
3  
k  
g  
/  
1  
.  
6  
k  
g  
C  
e  
r  
t  
i  
f  
i  
c  
a  
t  
e  
d  
M  
a  
t  
e  
r  
i  
a  
l  
S  
p  
e  
c  
i  
a  
l  
a  
l  
l  
o  
y  
a  
l  
m  
i  
n  
u  
r  
e  
n  
c  
e  
s  
s  
i  
l  
l  
v  
e  
r  
s  
a  
n  
d  
b  
l  
a  
s  
t  
i  
n  
g

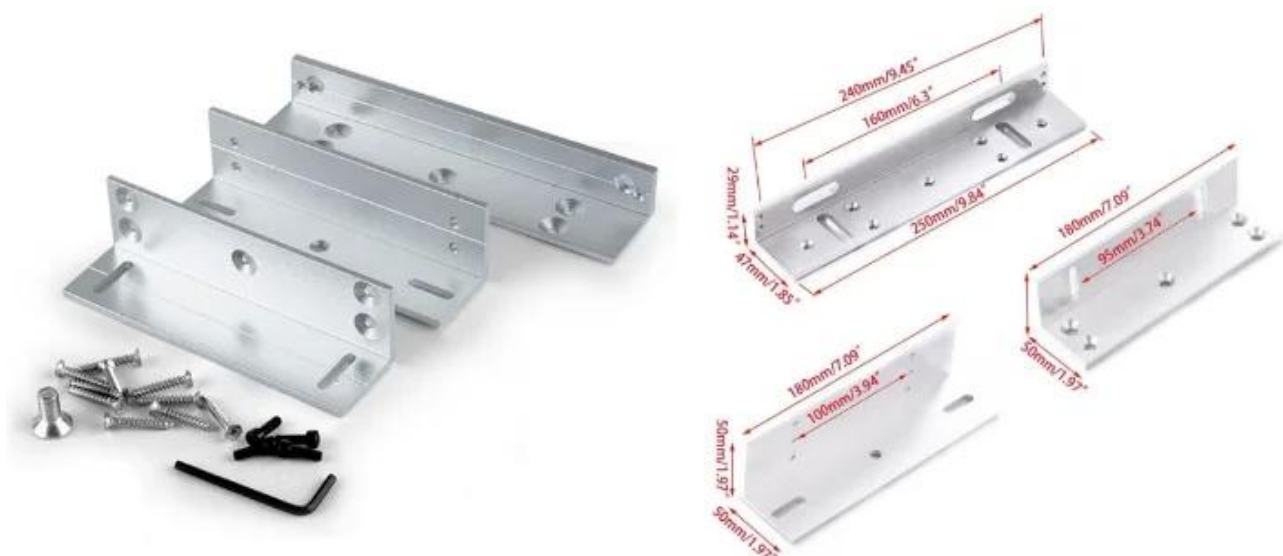
## Product Advanatge

This is a Z & L for 180KG/280kg magnetic door lock  
Special aluminum, firm and durable  
Special design, suitable for wooden door and metal door  
It is easy to install and convenient to use  
It is safe, reliable and efficient





This 180KG 280Kg Z & L Style Magnetic Lock Bracket for Access Control System is required to be paired with magnetic locks for in-swing door applications. Our Lock Bracket are special aluminum, firm and durable. Bracket ensure the magnet remains on the protected side of doors, the best choice of access control. Magnetic locks are excellent for low, medium and high traffic areas, such as offices, convenience stores, building entrances and exits.

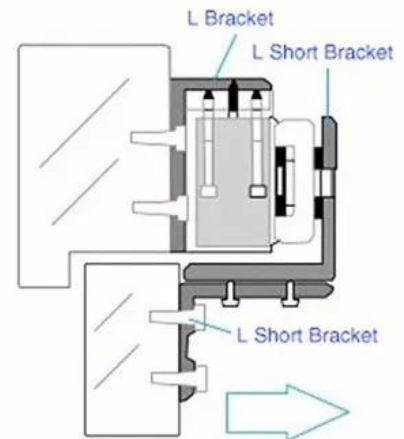
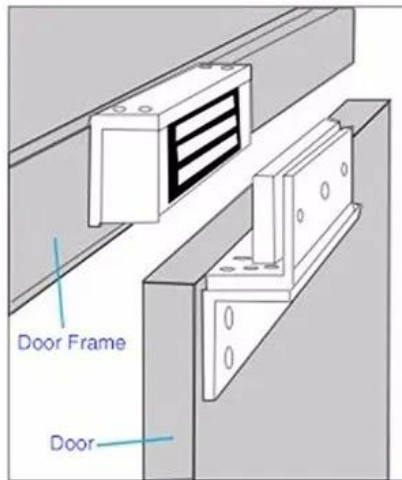
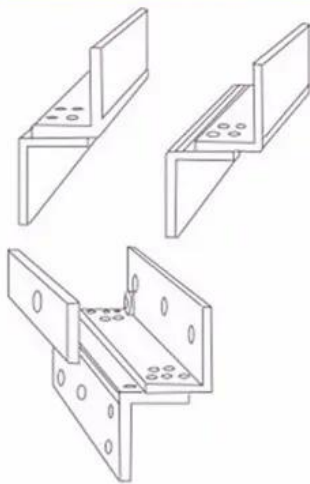


## Quality Warranty

- Warranty Service will be honored if the damage is not caused by human, ACM Goldbridge provides 2 years warranty for relative products.
- On the contrary, ACM Goldbridge will charge extra if repair.
- More information, please browse our service center.

## Installation Diagram

### Installation diagram



Two "L" short bracket spell "Z" bracket

### Installation real effect figure



## Packing & Delivery

### Shipping Way

We have strong cooperation with DHL, FEDEX, TNT, UPS, EMS, Forwarder by SEA and By AIR  
You also can choose your own shipping forwarder.

### Packaging

Magnetic Lock ZL bracket packaging: 1unit per box, 30pcs per carton,  
Carton size : 35\*30\*16cm , Gross Weight :8kg cartons per pallet



You may need





### **ACM-Y280N**

Backplate magnetic lock  
(280kgs/600lbs) Suitable For: Wooden  
Door, Glass Door, Metal Door, Fire|  
Proof Door

### **ACM-Y180**

Surface mounted (180kg/300lbs)  
magnetic lock 2Bolts Fail safe.Suitable  
For: Wooden Door, Glass Door, Metal  
Door, Fire Proof Door.

## ACM-Y280

280kg(600lbs) Single Door magnetic Lock Suitable For: Wooden Door, Glass Door, Metal Door, Fire Proof Door.



## ACM-Y280-L

L Bracket for 280kg/350kg Magnetic Lock

## ACM-Y180ZL

ZL Bracket for 180kg/300lbs Magnetic Lock

## ACM-Y280-ZL

ZL Bracket for 280Kg/350Kg Magnetic Lock

### Our Service

- 1, Any inquires will be replied within 24 hours
- 2, Professional manufacturer and supplier, Welcome to visit our website and our factory
- 3, OEM/ODM Available
- 4, High quality, fashin desing, reasonable & competitive price, fast lead time
- 5, After-sale Service :
  - 1), All products will have been strictly quality checked in house before packing
  - 2), All products will be well packed before shipping
  - 3), All our products have 2-3 year warranty if the damage is not caused by human
- 6, Faster delivery : Around 1~ 5 days for sample order, 7~30 days for bulk order
- 7, Payment : You can pay for the order via : T/T, Western Union, Paypal.
- 8, Shipping: We have strong cooperation with DHL, FEDEX, TNT, UPS, EMS, Forwarder by SEA and By AIR, You also can choose your own shipping forwarder.

### FAQ

**Q: 1. How can I place an order?**

A: Please list your requirement to us via email. Then we will send the offer to you at earliest time,after order confirmation, we will arrange production ASAP.

**Q: 2.What about the payment and shipment?**

A: Trade Assurance and T/T ,Paypal, Western Union.  
Clients can choose by sea, air or express(DHL, FedEx, TNT UPS etc.)

**Q: 3. How can i get a sample to check your quality?**

A:We could provide free sample to you, and the freight cost payed by you.

**Q:4. How long can I expect to get the samples?**

A: It depends on the quantity. Normally 3-7 days for 5000pcs and 7-15 days for 100,000pcs

**Q:5. Can your products be customized?**

A: Almost all of your products are customized ,including the materia, size, thickness and printing. OEM orders are highly welcome.

**Q:6.Are you a trading company or factory?**

We are the one of the biggest manufacturer of RFID cards/NFC tags/RFID keybod /RFID wristband,rfid reader and access control products in China more than 20 years.