

Product Description



New Door Lock Power Source Access Control System Switch 110-240V to DC 12V 3A Time Delay Power Supply

It is a door access control power supply
Compatible with world voltage, light weight,
convenient transportation, small
disturbance

Reduce the load of access controller, save
wiring to reduce the hidden trouble Wide
input voltage range, steady and
precise, Automatic protection
function: overload/ over voltage/ short
circuit.

It can set time lapse control circuit and
unlocking time can be in 0-15 seconds(it is
arbitrarily adjustable).

Provide very stable and reliable output in a
various applications such as lock control/
controller control/ exit button/ RFID

reader etc.

Detailed Images

Specification:

- 1.Voltage range input regularly from AC 110V - 240V 50~60Hz
- 2.DC output: Stabilizator DC12V/ 3A
- 3 Controls electric lock directly





POWER SUPPLY

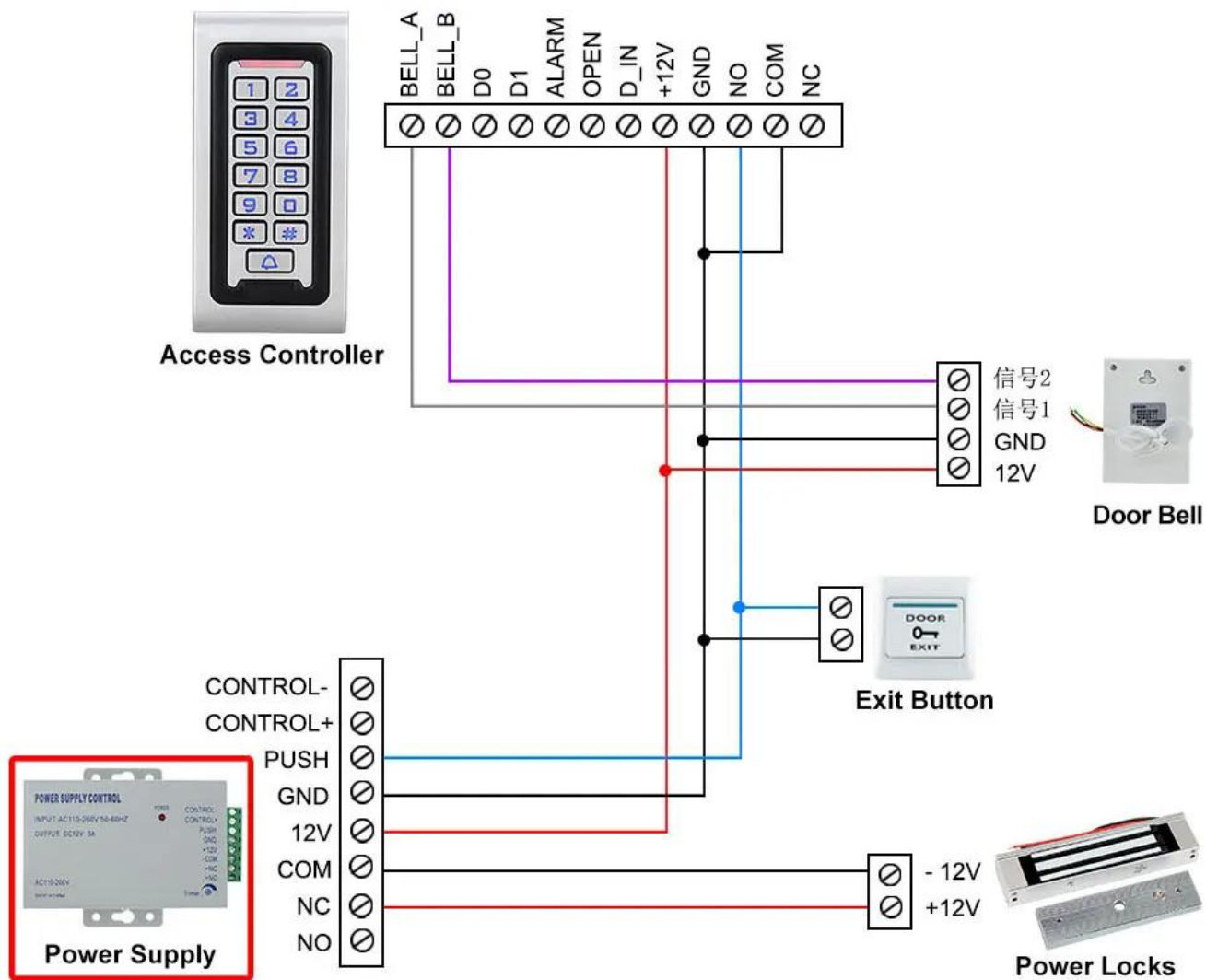
AC 110-220V
Input: ac110-240v 50/60hz
Output: DC12V 3A
Time: 0-15s

L
N
GND

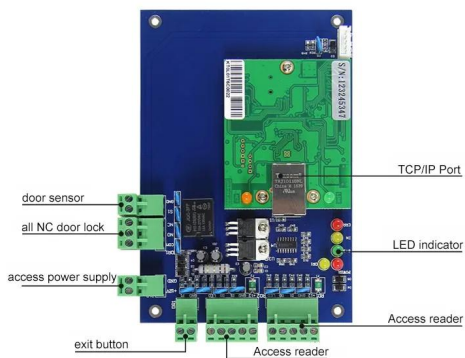
CONTROL-
CONTROL+
PUSH2
PUSH1
GND
+12V
COM
NC
NO



Application

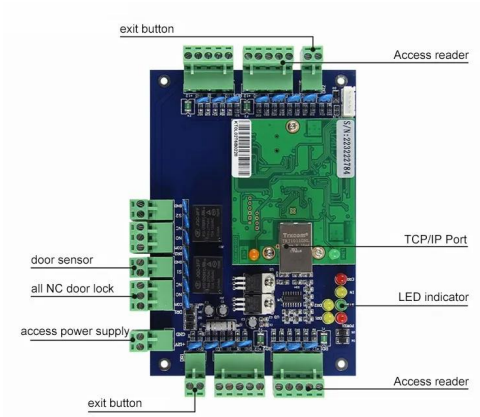


Related Products



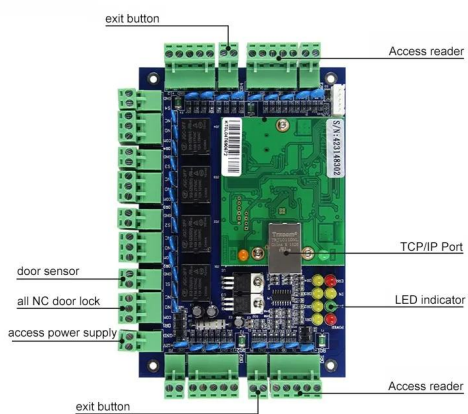
ACM-WEG01

It can control 1 door.



ACM-WEG02

It can control 2 door.

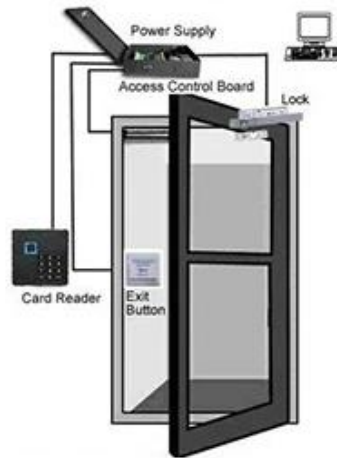


ACM-WEG04

It can control 4 door.

You May Need

Complete Door Access Control Solution Provider



RFID Card



RFID Key fob



RFID Wristband



RFID Reader



Long Distance
UHF Reader



Access Control
Reader



Biometric Controller



RFID Controller



Door EM Lock

WHY CHOOSE US?

- **Long History & High Reputation**

Founded in 1999. Great Creativity Group dedicates in R&D, producing and sale of RFID products and Plastic Card. We own 12,000 square meters factory, 3000 square meters office and 8 branches so far.

- **Advanced Equipments & Ultimate Production Ability**

2 Modern high standard production lines with monthly output 30,000,000 pcs cards. Brand-new CTP machines and Germany Heidelberg offset printing machines. 10 sets of compounding machines.

- **Self R&D Customization**

Our company offering management application project, equipment application, scheme and personalized RFID end product.

- **Strict Quality Control**

Strict QC System from raw material to finished products. We have passed certified ISO9001, SGS, ROHS, EN-71, BV etc. We promise all products will be examined strictly and we ensure that the products we deliver to you with top quality.

ABOUT GOLDBRIDGE

As a one of leading manufacturer and exporter of RFID products in China, We have been in this field for 20 years already. We have rich production and exportation experience on RFID products. Our strength products are: rfid card, rfid Keyfob, rfid wristband, rfid tag and various rfid reader. We are also the access control solution provider.

[MORE >>](#)





ABOUT OUR FACTORY

Established in 1999, Shenzhen Goldbridge has witnessed the technological innovation from rfid card to rfid tag, the overall change of market products in the past 20 years, and registered "Shenzhen Goldbridge Industrial Co., Ltd." in 1999.

At present, Goldbridge has developed into a National High-Tech Enterprise, which is specialized in the integration of production, market and research. Starting from the PVC cards and RFID cards factory with only 66 workers, Goldbridge has accomplished the successful transition from traditional manufacturing industry to IOT technology enterprise (RFID technology development).



With the accumulation of dozens of software copyrights and utility new inventions and patents, Goldbridge has been rewarded as "National High-Tech Enterprise", "Shenzhen High-Tech Enterprise", and has become an integrated enterprise which focuses on research, production and market. Meanwhile, by adopting the "Military + School + Family" corporate culture concept, accompanied by the continuous innovation of business model and marketing model, plus the B2B, B2C platform and excellent sales team, Goldbridge sells its products all over the world.



Honers & Certificates

