

## Sboard-II APP Controller Mini WiFi Access Controller

Sboard-II Wifi

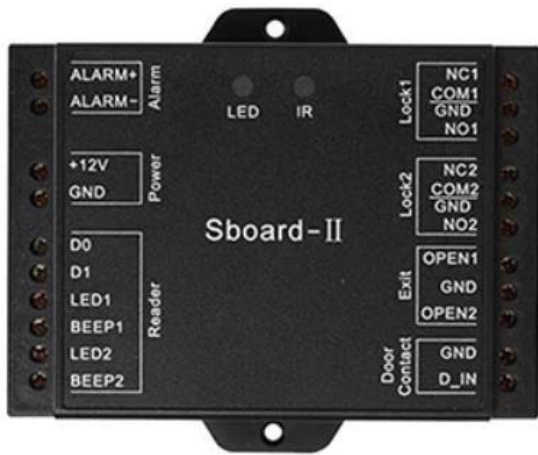
Wifi Access Controller

- > 2,100 users, user data can be transferred
- > Multi access modes: Card, Card or PIN, Card with PIN and multi Cards/PINs
- > Can connect with any reader with Wiegand 26~37 bits output
- > Can connect with any keypad reader with 4bits, 8bits (ASCII), or 10bits Virtual number output
- > Support Master Card function
- > Support set principal card
- > Can communicate with mobile by Wifi/GPRS
- > Remotely open the door within your home network or remote from anywhere  
you can get internet access with your smartphone or tablet

Product Parameter	Parameter Description
S4A Model	Sboard-II WiFi
Product Name	Wifi Access Controller
User Capacity	2100
Zone 1	2000
Zone 2	100
Operating Voltage	9~24V DC
Idle Current	<30ma
Idle Current (With Wifi)	<100Ma
Adjustable Relay Output Time	1~99 Seconds (5 seconds default)
Lock Output Load	5 Amp Maximum
Wiegand Input	Wiegand 26~37 bits
Wiegand Output	Wiegand 26~37 bits (for user transfer)
Environment	Indoor
Operating Temperature	-40°C ~ 60°C (-40°F ~ 140°F)
Operating Humidity	0~90%RH
Physical	ABS Shell
Colour	Black
Dimensions	L100 x W86 x D26(mm)

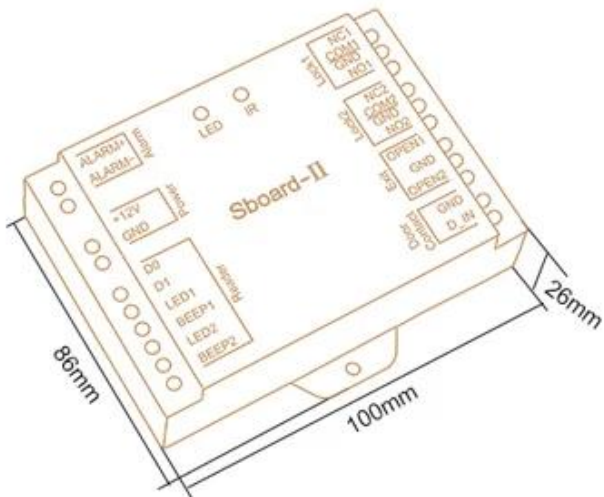
Unit Weight	0.1KG
Standard Package	54PCS/carton
Carton Weight	9.5KG
Carton Size	34*40*33.5 (cm)

**Product Picture**



**Product Dimensions**

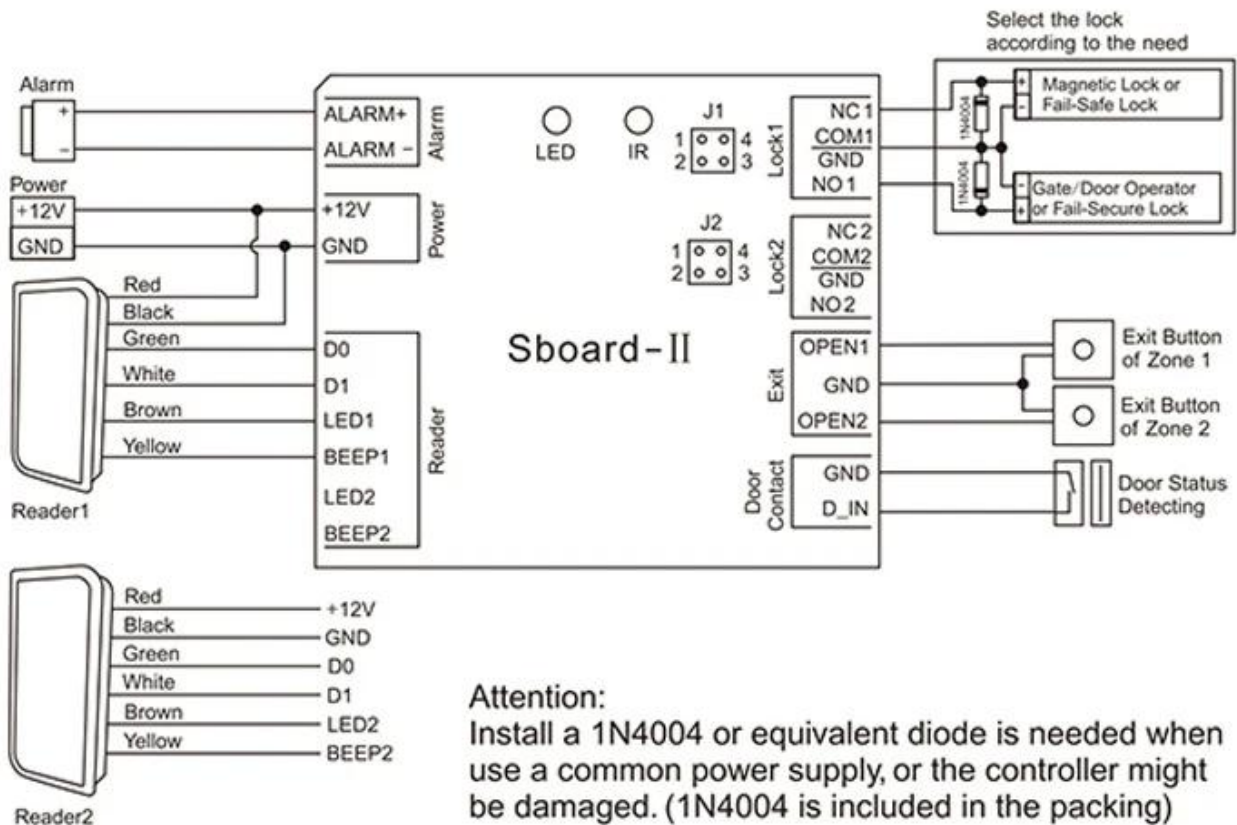
**Product Size**



**Gift Box Size**



## Wiring Diagram



## Packing & Delivery

Every order we will check the quality firstly to ensure our customer get the best product. Our staff will pack it carefully to avoid the damage of transportation. We will ship every goods out as soon as possible.





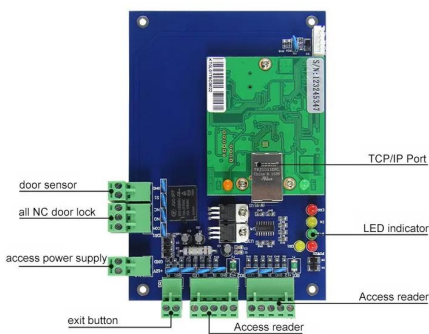
**EXW**  
**FCA FOB**  
**CIF CFR**

**Shipping Way (Just for new customers reference )**

We are one of the leading exporter of RFID products in China since 2000 years . With rich international trade experience we know the international shipping very well , We know which express or air/sea line is cheap and safe to your country . We can supply various certificate for you to clean your custom to such as CO , FTA , Form F , Form E ...Ect . We wil provide our professional suggestion for your shipping . EXW , FOB , FCT , CIF , CFR ...trade term are ok for us . We can be your reliable partner for products and shipping .

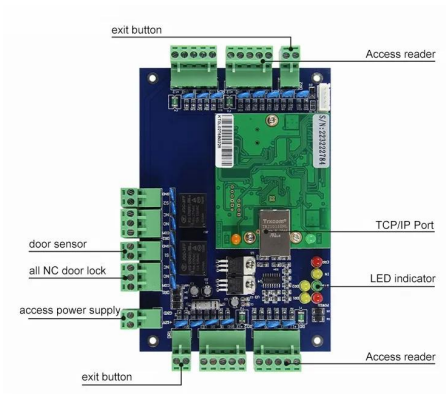
We are professional comprehensive security access control products supplier with 20 years experience, we make sure to offer the best solution of access control system solution! So, send your inquiry details in the below, ccontact us now!! We are looking forward to forming successful business relationships with new clients around the world in the future.

**Related Products**



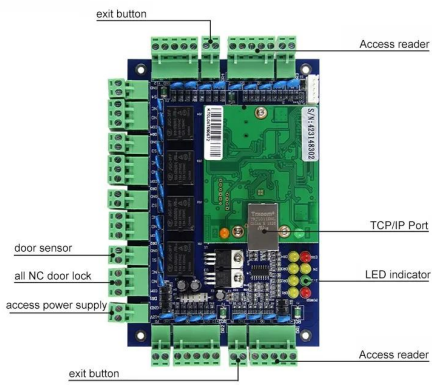
**ACM-WEG01**

It can control 1 door.



## ACM-WEG02

It can control 2 door.



## ACM-WEG04

It can control 4 door.

## You May Like





**ACM-K2A/B**

No touch Door Release Exit Button with led

**ACM-Y180**

Surface mounted magnetic lock (180kg)



**ACM-Y806-5A**

Power supply 5A for access control





### **ACM225**

Touch Keypad RFID Access Control  
12khz

### **ACM-210**

Metal Waterproof RFID Wiegand  
Access Control

### **ACM26X**

125Khz EM Card RFID Reader Size:  
115mm×75.5mm×16.8mm

## **Our Service**

- 1, Any inquires will be replied within 24 hours
- 2, Professional manufacturer and supplier, Welcome to visit our website and our factory
- 3, OEM/ODM Available
- 4, High quality, fashin desing, reasonable & competitive price, fast lead time
- 5, After-sale Service :
  - 1), All products will have been strictly quality checked in house before packing
  - 2), All products will be well packed before shipping

3), All our products have 2-3 year warranty if the damage is not caused by human  
6, Faster delivery : Around 1~ 5 days for sample order, 7~30 days for bulk order  
7, Payment : You can pay for the order via : T/T, Western Union, Paypal,  
8, Shipping: We have strong cooperation with DHL, FEDEX, TNT, UPS, EMS, Forwarder by SEA and By AIR, You also can choose your own shipping forwarder.

## FAQ

### **Q: 1. How can I place an order?**

A: Please list your requirement to us via mail. Then we will send the offer to you at earliest time, after order confirmation, we will arrange production ASAP.

### **Q: 2. What about the payment and shipment?**

A: Trade Assurance and T/T, Paypal, Western Union.  
Clients can choose by sea, air or express (DHL, FedEx, TNT UPS etc.)

### **Q: 3. How can I get a sample to check your quality?**

A: We could provide free sample to you, and the freight cost paid by you.

### **Q: 4. How long can I expect to get the samples?**

A: It depends on the quantity. Normally 3-7 days for 5000 pcs and 7-15 days for 100,000 pcs

### **Q: 5. Can your products be customized?**

A: Almost all of your products are customized, including the material, size, thickness and printing. OEM orders are highly welcome.

### **Q: 6. Are you a trading company or factory?**

We are one of the biggest manufacturers of RFID cards/NFC tags/RFID keyboard/RFID wristband/RFID reader and access control products in China more than 20 years.