

# 433MHz Wireless Remote Control Access Control Wiegand RFID Card Reader with Keypad

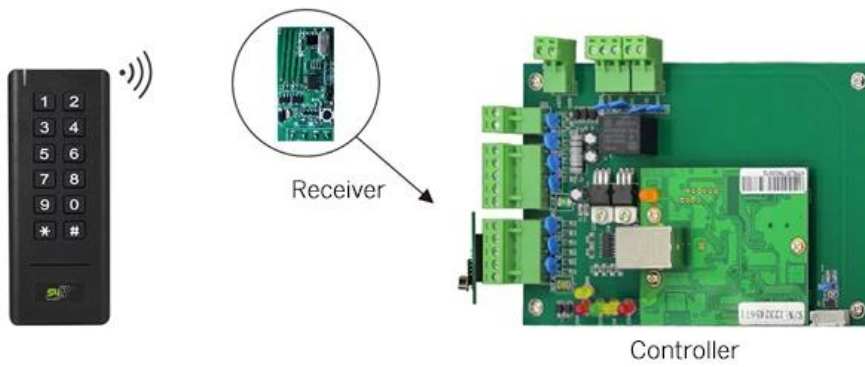
## Wireless Keypad Only

- > 433MHz Rolling Code technology
- > PIN Length: 1-6 digits
- > Programmable Wiegand output of the Receiver: 26 bits or 34 bits
- > Communication distance: 30m maximum
- > Ultra low power consumption

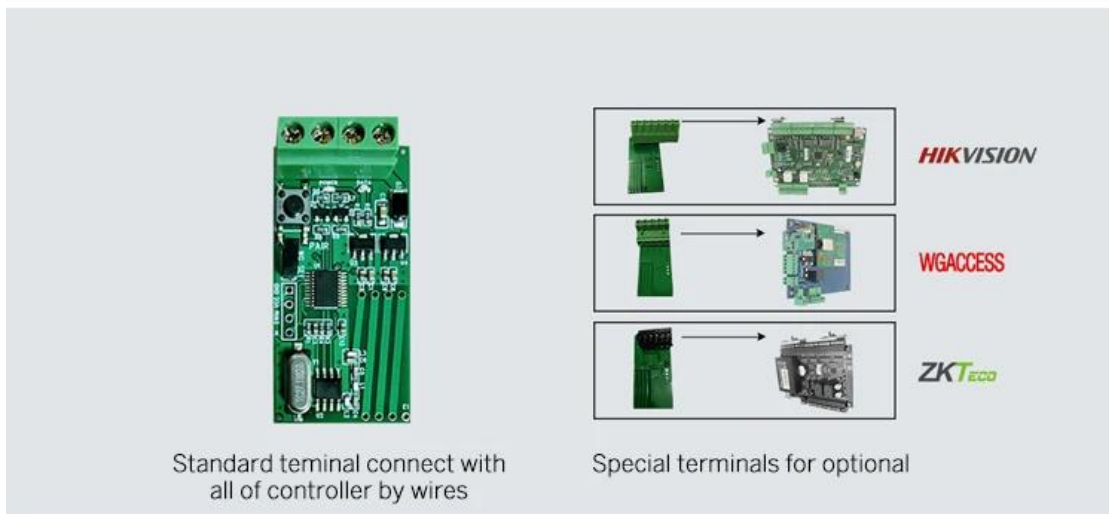
Product Parameter	Parameter Description
Model	ACM305
Product Name	Wireless Keypad Wiegand Reader
	Wireless Keypad Reader
PIN Length	1-6 digits
Card Type	125KHz EM card
Operating Voltage	3 units of AAA batteries
Idle Current	≤5uA
Working Current	≤45mA
Reading Distance	≤3cm
Communication Frequency	433MHz
Communication Distance	30m Maximum
Operating Temperature	-20°C~+60°C (-4°F~+140°F)
Operating Humidity	0%~86%
Physical	ABS
Dimensions	L134 * W55 * H20 (mm)
Net Weight	100g
	Receiver
Operating Voltage	12V DC
Working Current	≤15mA
Communication Frequency	433MHz
Wiegand Output Format	26 bits Or 34 bits (Default is 26 bits)
Operating Temperature	-20°C~+60°C (-4°F~+140°F)
Operating Humidity	0%~86%
Dimensions	L25 * W50 (mm)
Net Weight	10g

### Wireless Button (Optional Accessory)

Operating Voltage	1unit of 2023 Lithium battery
Idle Current	$\leq 2\mu\text{A}$
Working Current	$\leq 20\text{mA}$
Communication Frequency	433MHz
Communication Distance	20m Maximum



Can work with any wiegand controller



Standard terminal connect with all of controller by wires

Special terminals for optional



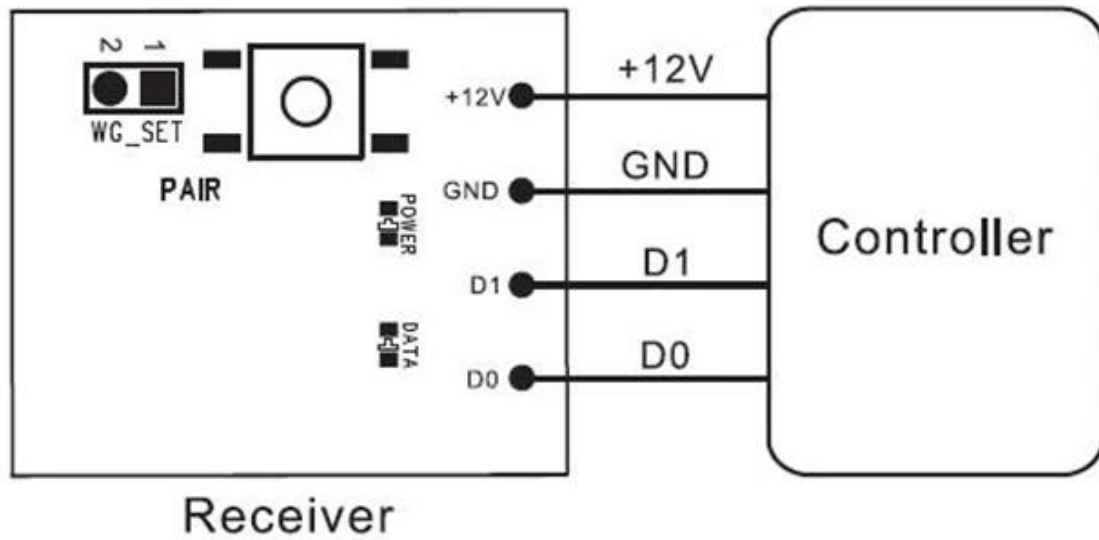
Can pair 16pcs max

Battery powered, no need wires any more!



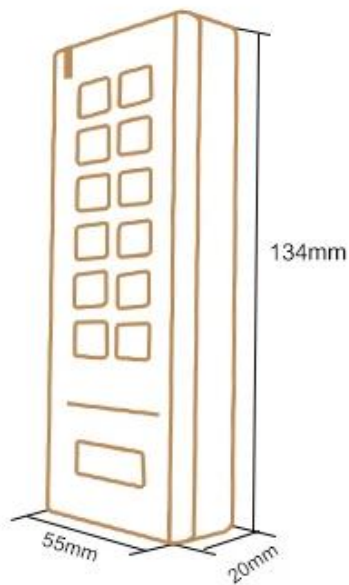
## Wiring Diagram

### Connection (Receiver with Controller)



## Product Dimensions

### Product Size



### Gift Box Size



## You May Like

We are Professional Access Control Manufacturer, We have Full System for Access Control Product as below:



### **ACM223**

Touch Keypad RFID & Keypad Access Control , 125Khz EM 1000/4000 USer

capacity

### **ACM209-NW**

Keypad Metal RFID Single door  
AccessControl (Non-waterproof),  
125Khz EM

### **ACM208**

Waterproof RFID Single door Access  
Control and Reader



## **ACM210**

Metal RFID Single door Access Control  
(Non-waterproof)

## **ACM225**

Touch Keypad RFID Access  
Control,125Khz EM, Can connect  
wiegand reader

## **ACM211B**

Touch Keypad Metal case Waterproof  
RFID Access Control, Can connect  
wiegand reader

## Our Service

- 1, Any inquires will be replied within 24 hours
- 2, Professional manufacturer and supplier, Welcome to visit our website and our factory
- 3, OEM/ODM Available
- 4, High quality, fashin desing, reasonable & competitive price, fast lead time
- 5, After-sale Service :
  - 1), All products will have been strictly quality checked in house before packing
  - 2), All products will be well packed before shipping
  - 3), All our products have 2-3 year warranty if the damage is not caused by human
- 6, Faster delivery : Around 1~ 5 days for sample order, 7~30 days for bulk order
- 7, Payment : You can pay for the order via : T/T, Western Union, Paypal, Ali trade assurance
- 8, Shipping: We have strong cooperation with DHL, FEDEX, TNT, UPS, EMS, Forwarder by SEA and By AIR, You also can choose your own shipping forwarder.

## FAQ

### **Q: 1. How can I place an order?**

A: Please list your requirement to us via mail. Then we will send the offer to you at earliest time,after order confirmation, we will arrange production ASAP.

### **Q: 2.What about the payment and shipment?**

A: Trade Assurance and T/T ,Paypal, Western Union.  
Clients can choose by sea, air or express(DHL, FedEx, TNT UPS etc.)

### **Q: 3. How can i get a sample to check your quality?**

A:We could provide free sample to you, and the freight cost payed by you.

### **Q:4. How long can I expect to get the samples?**

A: It depends on the quantity. Normally 3-7 days for 5000pcs and 7-15 days for 100,000pcs

### **Q:5. Can your products be customized?**

A: Almost all of your products are customized ,including the materia, size, thickness and printing. OEM orders are highly welcome.

**Q:6.Are you a trading company or factory?**

We are the one of the biggest manufacturer of RFID cards/NFC tags/RFID keybod /RFID wristband□rfid reader and access control products in China more than 20 years.