

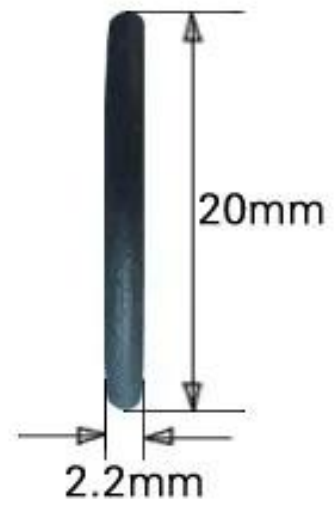
## Product Description

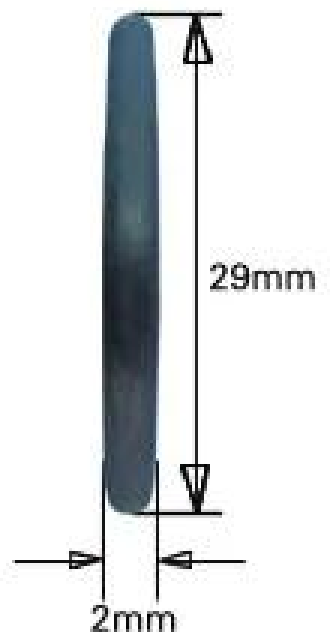
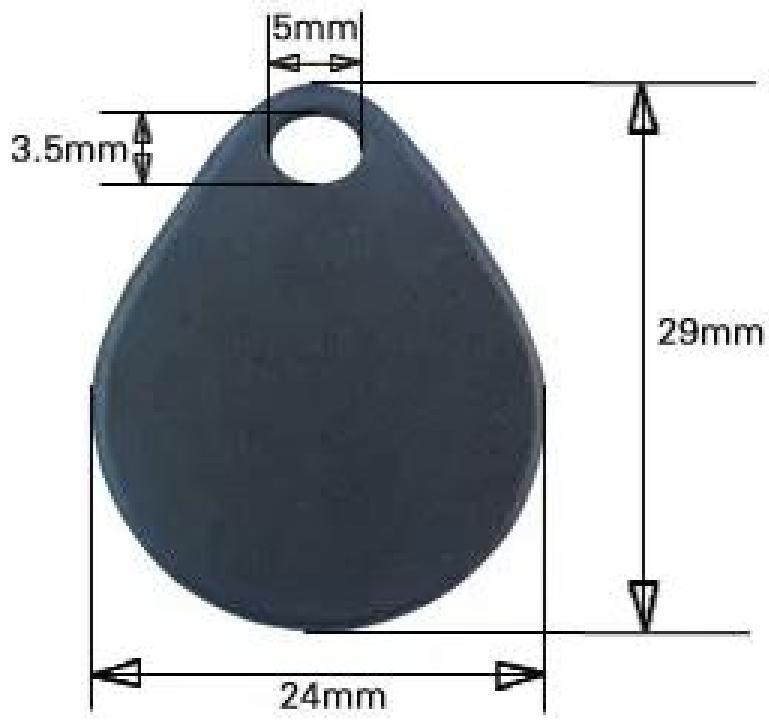


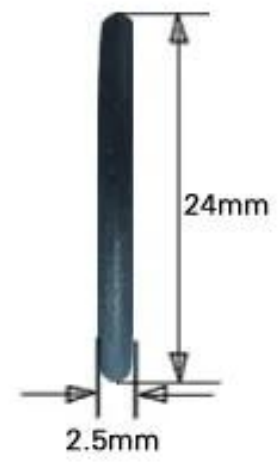
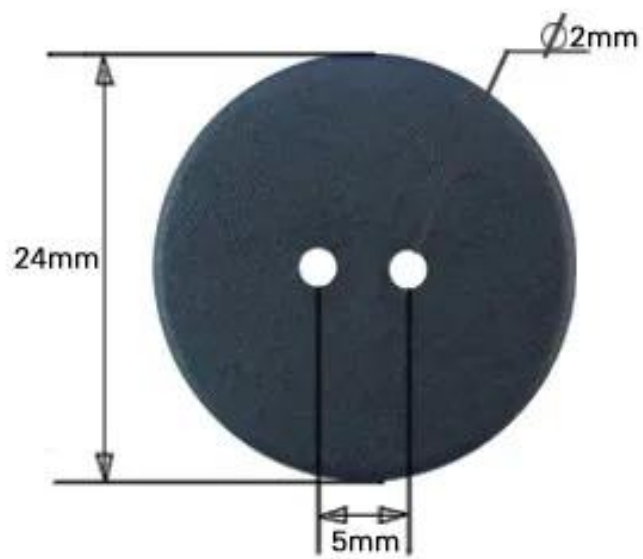
Resist high temperature /waterproof /wetproof /quakeproof rfid tag

1. Material: PPS
2. Size: 20mm, 23.5mm, 24mm are all available
3. Color: colorful, Printed according to your demand
4. Chip: 125khz, 13.56mhz, UHF are all available
5. Work temperature: -30-220°C





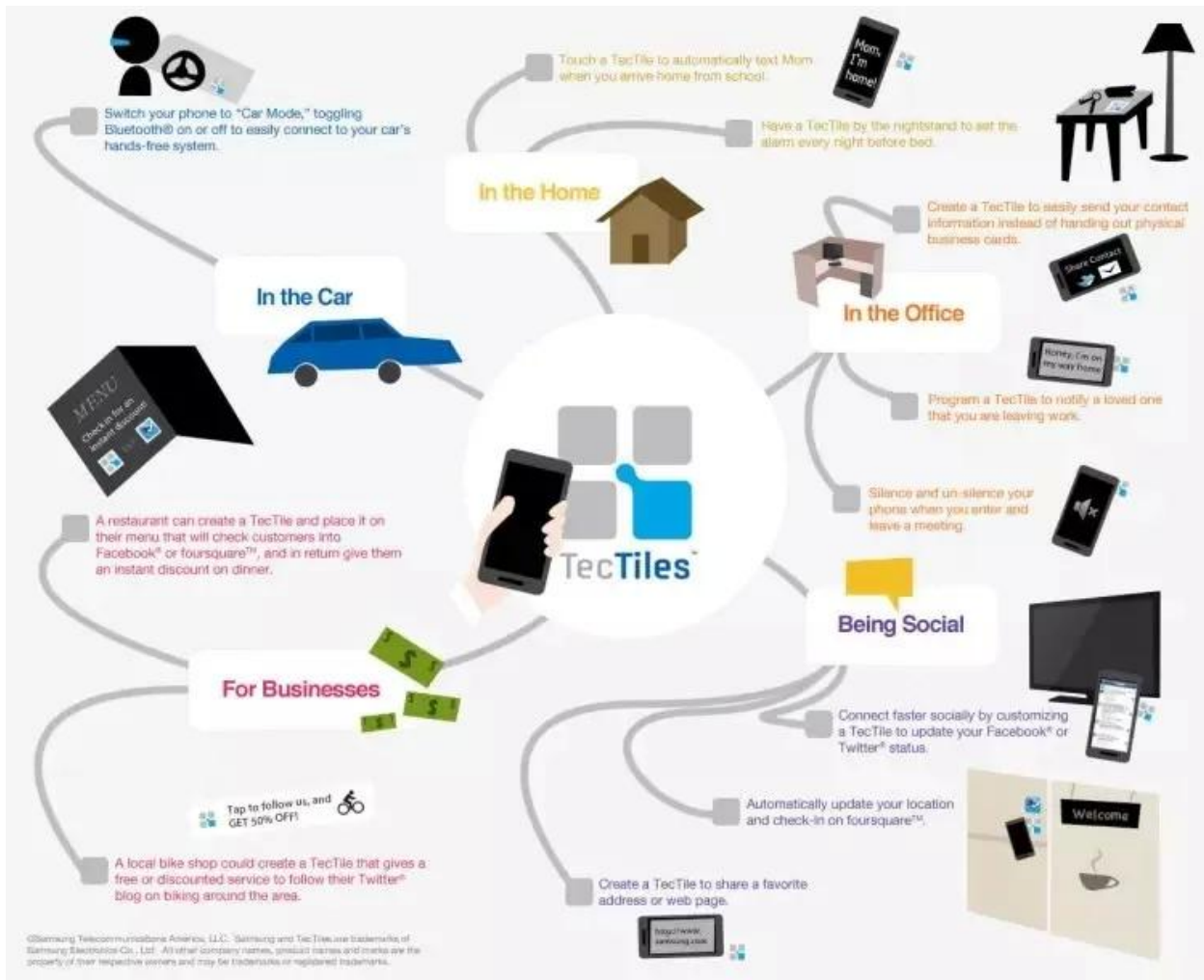




## Chip Information

Chip type	Protocal	Capacity	Anti collision	Function
NTAG® 213	ISO14443A	180 Byte	NO	Read/write
NTAG® 215		540 Byte	NO	
NTAG® 216		924 Byte	NO	
NTAG® are registered trademarks of NXP B.V. and are used under license.				
MIFARE Classic® 1K	ISO14443A	1KB	NO	Read/write
MIFARE Classic® 4K		4KB	NO	
MIFARE Ultralight® EV1		640 Bit	NO	
MIFARE Ultralight® C		1184 Bit	NO	
MIFARE and MIFARE Classic® are registered trademarks of NXP B.V. and are used under license.				
MIFARE and MIFARE Ultralight® are registered trademarks of NXP B.V. and are used under license.				
MIFARE Plus® 1K	ISO14443A	1KB	NO	Read/write
MIFARE Plus® 2K		2KB	NO	
MIFARE Plus® 4K		4KB	NO	
MIFARE and MIFARE Plus® are registered trademarks of NXP B.V. and are used under license.				
MIFARE® DESfire® EV1 2K	ISO14443A	2KB	NO	Read/write
MIFARE® DESfire® EV1 4K		4KB	NO	
MIFARE® DESfire® EV1 8K		8KB	NO	
MIFARE® DESFire® are registered trademarks of NXP B.V. and are used under license.				
ICODE® SLIX	ISO15693	1KB	Yes	Read/write
ICODE® SLIX-S		2KB	Yes	
ICODE® SLIX-L		512 Bits	Yes	
ICODE® SLIX-M		1KB	Yes	
ICODE® are registered trademarks of NXP B.V. and are used under license.				

## Application





- Application: Access control, Ticket, Mobile payment, Poster, Clothing management, Inventory, Assets management, Aviation Luggage tag management, Library management, Logistic, Anti-fake, Document tracking management, Express package management, Parking system, ETC etc.



#### RFID Windshield tag

- 1, Paper/PVC/PET available
- 2, CMYK Offset/Silk printing
- 3, Anti tamper



#### Anti metal RFID tag

- 1, Custom size available
- 2, 0.15/0.35mm anti metal material
- 3, CMYK Offset and silk printing



#### Temper proof RFID sticker

- 1, Fragile Paper and antenna
- 2, Custom size and chip available
- 3, Data encoded, ID number printed, QR code etc



#### RFID Inlay

- 1, Custom size available
- 2, Support Dry or Wet Inlay
- 3, Custom package with antistatic bag



**Inner Box Package**

**Outside Carton Package**



**EXW**  
**FCA FOB**  
**CIF CFR**

**Shipping Way (Just for new customers reference )**

We are one of the leading exporter of RFID products in China since 2000 years . With rich international trade experience we know the international shipping very well , We know which express or air/sea line is cheap and safe to your country . We can supply various certificate for you to clean your custom to such as CO , FTA , Form F , Form E ...Ect . We wil provide our professional suggestion for your shipping . EXW , FOB , FCT , CIF , CFR ...trade term are ok for us . We can be your reliable partner for products and shipping .

- 1,Any inquires will be replied within 24 hours
- 2, Professional manufacturer and supplier, Welcome to visit our website and ourfactory
- 3, OEM/ODM Available
- 4, High quality, fashin desing, reasonable & competitive price, fast leadtime
- 5, After-sale Service :
  - 1) All products will have been strictly quality checked in house before packing
  - 2) All products will be well packed before shipping
  - 3) All our products have 2-3 year warranty if the damage is not caused by human
- 6, Faster delivery : Around 1~ 5 days for sample order, 7~30 daysfor bulk order
- 7, Payment : You can pay for the order via : T/T, Western Union,Paypal, Ali trade assurance
- 8, Shipping: We have strong cooperation with DHL, FEDEX, TNT, UPS,EMS, Forwarder by SEA and By AIR, You also can choose your own shippingforwarder.

**Quality warranty:**

Warranty service will be honored if the damage is not caused byhuman, ACM Goldbridge provides 2 years warranty for relative products. On the contrary, ACM Goldbridge willcharge extra if repair. More information, please browse ourservice center.

**FAQ**

**Q: 1. How can I place an order?**

**A:**Please list your requirement to us via inquiry. Then we will send the offer to you at earliest time,after order confirmation,we will arrange production ASAP.

**Q: 2.What aboutthe payment and shipment?**

**A:**Trade Assurance and T/T ,Paypal, Western Union. Clients can choose by sea, air or express(DHL,FedEx, TNT UPS etc.)

**Q: 3. How can i get a sample tocheck your quality?**

**A:**Wecould provide free sample to you, and the freight cost payed by you.

**Q:4. How long can I expect toget the samples?**

**A:It depends on the quantity. Normally 3-7 days for 5000pcs and 7-15 days for100,000pcs**

**Q:5. Can your products be customized?**

**A:Almost all of your products are customized ,including the materia, size,thickness and printing. OEM orders are highly welcome.**

**Q:6.Are you a trading companyor factory?**

**We are the one of the biggest manufacturer of RFID cards/NFCtags/RFID keybod /RFID wristband in China more than20 years.**