



Cheap price 12V Fail Secure & Fail Safe adjustable electric strike lock

ACM-Y138 is European Electric Strike Lock with adjustable mode for Fail locked & Fail Unlocked. It works with magnetic force generated by electromagnetic field for locking/unlocking

P
a
P
a
m
d
t
e
t
D
a
s
a
m
è
p
è
r
o
n

D
C
1
2
V
(
N
V
e
H
O
n
g
e
r
D
C
2
4
V
)
C
u

m
A
n
t

F
a
i
l
S
e
c
u
r
e
(
Y
-
1
3
8
N
C
)
@
t
u
f
a
i
l
S
a
f
e
(
Y
-
1
3
8
N
C
)

W
o
o
d
e
n
D
o
S
n
i
M
a
b
h
h
h
D
o
r
,
P
V
C
D
o
o
r
S
u
r
f
a
c
e
I
m
p
r
e
s
s
i
o
n
C
a
t
u
r
e

F
a
P
a
p
h
h
a
e
d
H
o
a
e
l
n
g
B
u
F
h
h
e
o
u
o
M
O
V
W
e
b
g
g
t

Product Advanatge

ACM-Y138 is European Electric Strike Lock with adjustable mode for Fail locked & Fail Unlocked. It works with magnetic force generated by electromagnetic field for locking/unlocking. particularly with short circuit protection. This model has 2 working modes: Power-to-open & Power-to-lock. It is made of high-quality aluminum for high hardness, corrosion resistance & anti-deformation. It is suitable for all types of wooden door, metal door, PVC door etc.

[Detailed Images , OEM/ODM available](#)



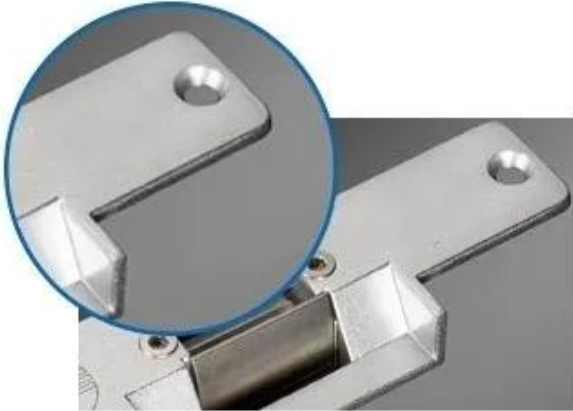
Standard-type Electric Strike

Standard-type Electric Strike

ACM-Y138 NO/NC is the electric strike with long faceplate. It has two modes: A fail safe electric strike needs power to keep it locked. A fail secure electric strike stays locked even without power. Electric strikes come in many varieties.

01 Strong and Durable

Stainless steel panels, stable and durable.



02 Metal Shell

Designed for Metal Frame drill a hole, then install it directly.

03 Special Design

Adjust Lock-tongue to NO style



More Features and Functions for This Stainless Steel Electronic Stripe (NC/NO)



04 Low Power Design

05 Rugged combination, Security Guarantee



1. Stainless steel faceplate, Anti-strike, Stronger protection.



2. Stainless steel tongue.



3. The metal shell paint high hardness, corrosion resistance & anti-deformation.

Quality Warranty

- Warranty Service will be honored if the damage is not caused by human, ACM Goldbridge provides 2 years warranty for relative products.
- On the contrary, ACM Goldbridge will charge extra if repair.
- More information, please browse our service center.

Instalation Diagram

01

Embedded Installation Design

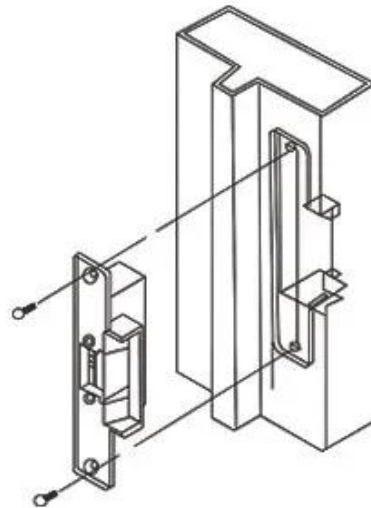
Safe design to prevent external malicious lock slot is forced open.



02

Holding Strength

pass 500kg super linear static



03

Suitable For

Narrow Wooden Door, Narrow Metal Door

Packing & Delivery

Shipping Way

We have strong cooperation with DHL, FEDEX, TNT, UPS, EMS, Forwarder by SEA and By AIR
You also can choose your own shipping forwarder.

Packaging

Bolt Lock packaging: 1 unit per box, 60pcs per carton,



You may need





ACM-Y130

Standard Type electronic Stripe
(NC/NO) For Wooden Door, Metal
Door,PVC Door

ACM-Y131

Stainless steel electronic Stripe
(NC/NO) For Wooden Door, Metal
Door,PVC Door

ACM-Y132

280kg(600lbs) Single Door magnetic
Lock Suitable For: Wooden Door, Glass
Door, Metal Door, Fire Proof Door.





ACM-Y280

Surface mounted magnetic lock(280kg/600lbs)

ACM-Y100S

ELECTRIC DROP BOLT LOCK
Time-delay &NO/NC Power to unlock

ACM-Y066

Intelligent Smart Lock (motor lock)
Lock size: 130x98x41mm Working

Our Service

- 1, Any inquires will be replied within 24 hours
- 2, Professional manufacturer and supplier, Welcome to visit our website and our factory
- 3, OEM/ODM Available
- 4, High quality, fashin desing, reasonable & competitive price, fast lead time
- 5, After-sale Service :
 - 1), All products will have been strictly quality checked in house before packing
 - 2), All products will be well packed before shipping
 - 3), All our products have 2-3 year warranty if the damage is not caused by human
- 6, Faster delivery : Around 1~ 5 days for sample order, 7~30 days for bulk order
- 7, Payment : You can pay for the order via : T/T, Western Union, Paypal.
- 8, Shipping: We have strong cooperation with DHL, FEDEX, TNT, UPS, EMS, Forwarder by SEA and By AIR, You also can choose your own shipping forwarder.

FAQ

Q: 1. How can I place an order?

A: Please list your requirement to us via email. Then we will send the offer to you at earliest time, after order confirmation, we will arrange production ASAP.

Q: 2. What about the payment and shipment?

A: Trade Assurance and T/T, Paypal, Western Union.

Clients can choose by sea, air or express (DHL, FedEx, TNT UPS etc.)

Q: 3. How can I get a sample to check your quality?

A: We could provide free sample to you, and the freight cost is paid by you.

Q: 4. How long can I expect to get the samples?

A: It depends on the quantity. Normally 3-7 days for 5000 pcs and 7-15 days for 100,000 pcs

Q: 5. Can your products be customized?

A: Almost all of our products are customized, including the material, size, thickness and printing. OEM orders are highly welcome.

Q: 6. Are you a trading company or factory?

We are one of the biggest manufacturers of RFID cards/NFC tags/RFID keyfobs/RFID wristbands/RFID readers and access control products in China for more than 20 years.