



DC 12V Access Control Switch Power Supply

5A Current power supply

Built-in reverse surge protection and Short-circuit protection function.

This power supply is suitable for building intercom, various entrances access control, particularly suitable for all kinds of electric locks

D
E
V
B
A
S
I
S
W
I
T
T
O
H
I
N
G
P
O
W
E
R
S
U
P
P
L
Y
F
O
R
A
C
C
E
S
S
C
O
N
T
R
O
L
B
U
D
I
N
E
S
I
N
M
E

A
B
P
h
V
v
Ø
H
V
a
g
e
M
a
g
h
ii
a
h
Ø
W
t
p
u
t
c
u
r
r
e
n
t
Ø
C
P
Ø
V
y
W
O
I
N
E
g
e

Dimensions(mm)



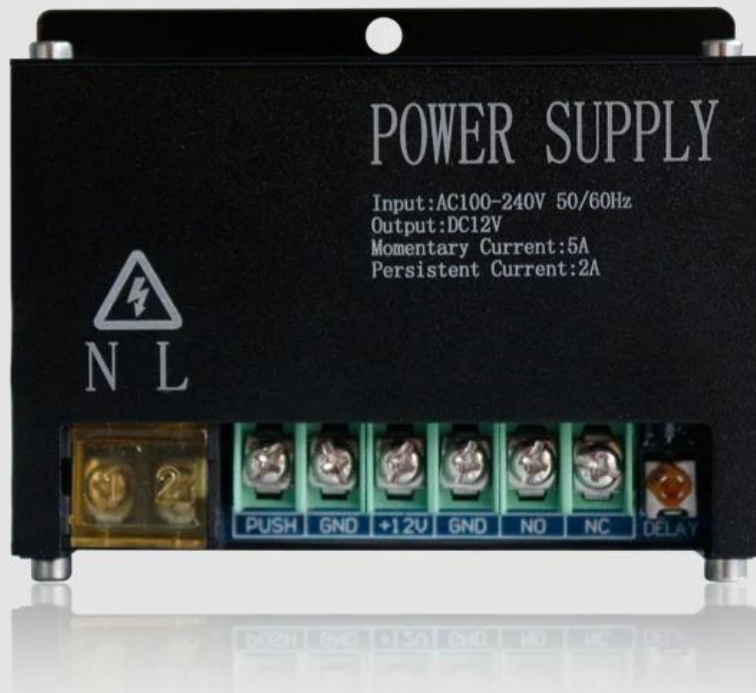
► L85 x W65 x D27mm

Size: L88 x W71 x D29mm ◀
Weight: 0.14kg ◀



Access Control Switch Power Supply

The power supply is applied to access control devices and building intercom device and also for video access control.



Metal shell

Safety | Anti-fall | Fire prevention



Delay adjustment

Built-in time delay circuit that can set unlock time, set exit button input that can control unlock electric lock.

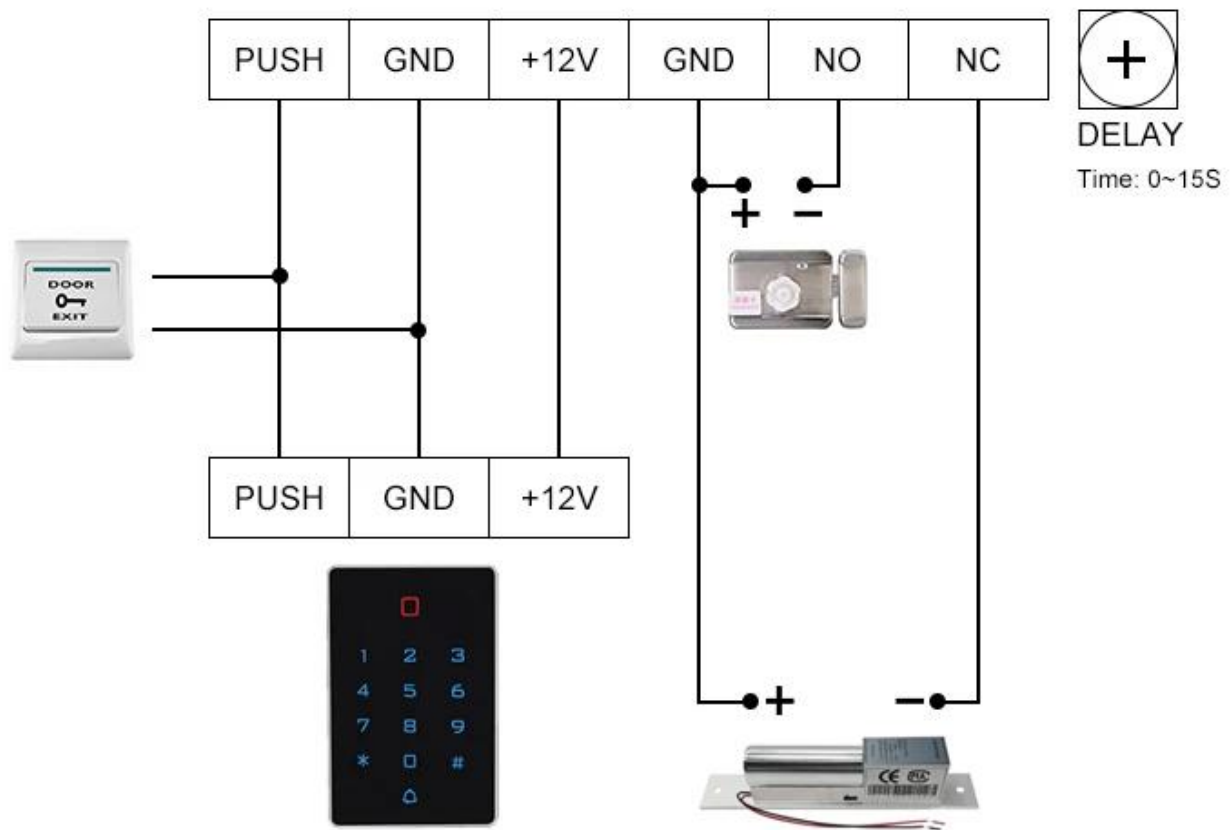


Smart circuit board

Using high-quality circuit boards



Application



Scope of Application



Company



Hospital



Hotels



Logistics



Port



Financial



Government



Factory



Aviation



School

Packing & Delivery

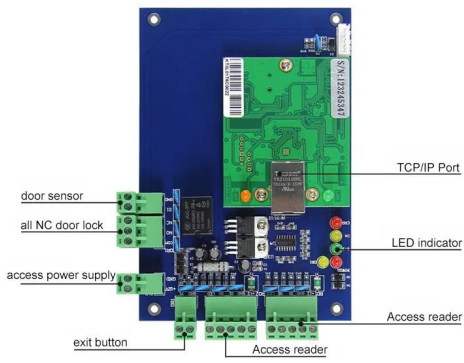
Every order we will check the quality firstly to ensure our customer get the best product. Our staff will pack it carefully to avoid the damage of transportation. We will ship every goods out as soon as possible.



Shipping Way (Just for new customers reference)

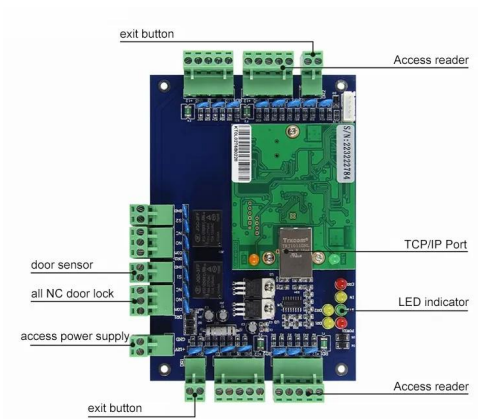
We are one of the leading exporter of RFID products in China since 2000 years . With rich international trade experience we know the international shipping very well , We know which express or air/sea line is cheap and safe to your country . We can supply various certificate for you to clean your custom to such as CO , FTA , Form F , Form E ...Ect . We wil provide our professional suggestion for your shipping . EXW , FOB , FCT , CIF , CFR ...trade term are ok for us . We can be your reliable partner for products and shipping .

Related Products



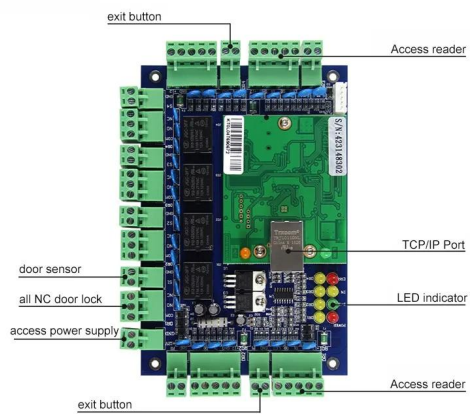
ACM-WEG01

It can control 1 door.



ACM-WEG02

It can control 2 door.



ACM-WEG04

It can control 4 door.

You May Like



ACM-K2A/B

No touch Door Release Exit Button with led



ACM-Y280

Surface mounted magnetic lock (280kg/600lbs)



ACM-Y806-5A

Power supply 5A for access control



ACM225

Touch Keypad RFID Access Control
12khz



ACM-210

Metal Waterproof RFID Wiegand
Access Control



ACM26X

125Khz EM Card RFID Reader Size:
115mm×75.5mm×16.8mm

Our Company

ACM Shenzhen Goldbridge industrial company

As a one of leading exporter of RFID products in China , we have been in this field for 20 years already . We have rich production and exportation experience on RFID products . Our strength products are : RFID card , RFID keyfob , RFID wristband , RFID tag and various RFID reader . We are also the access control solution provider.

