

Product description

**Doorbell PC
camera with
video doorl**



ifi



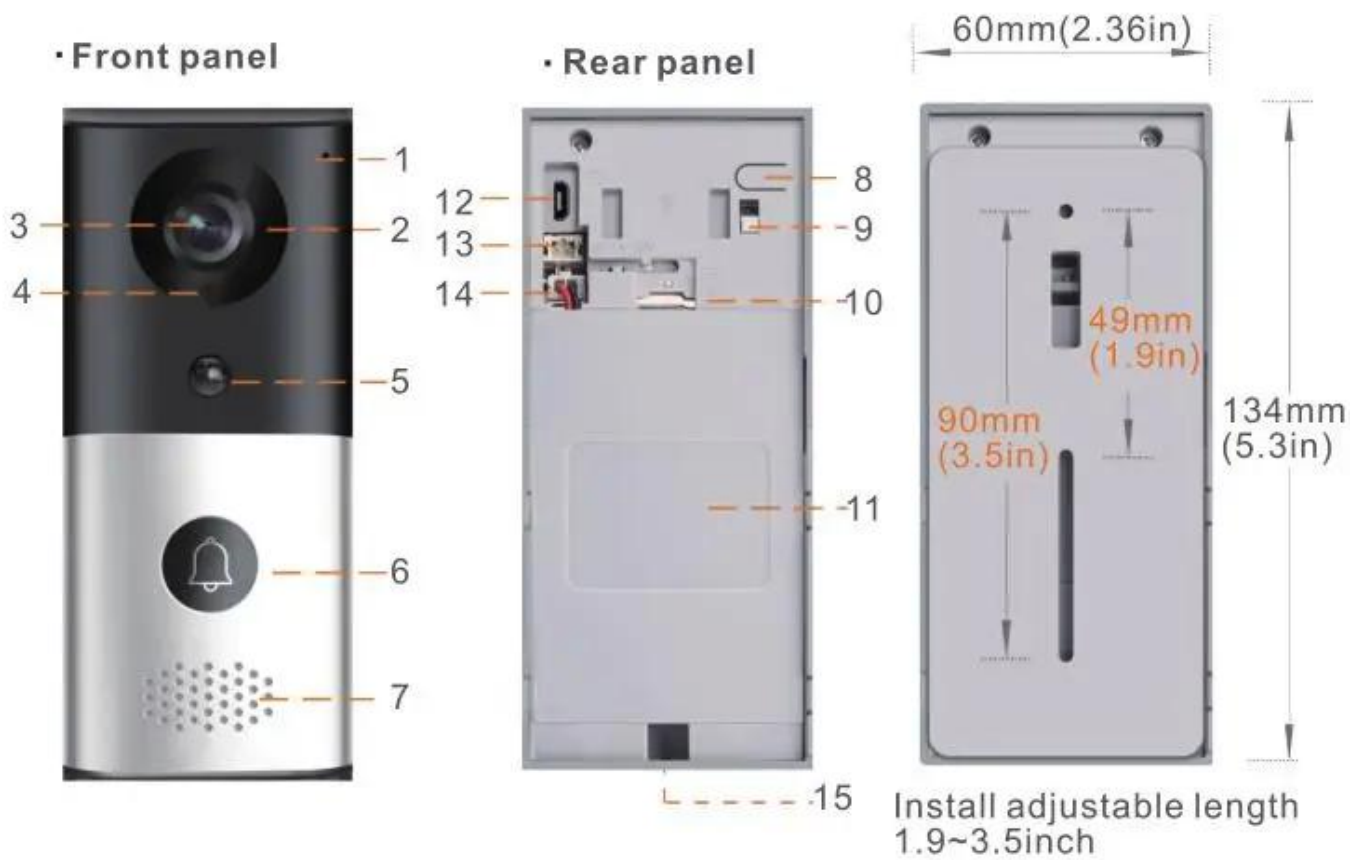
t
e
p
h
h
t
H
D
n
W
I
E
G
b
/
g
/
n
E
a
h
v
d
n
p
h
e
x
o
n
V
b
h
o
o
n
a
a
g
t
e
l
a
n
g
l
e

†
2
8
G
B
h
à
x
y
m
u
m
M
i
c
r
o
S
D
c
a
r
d
2
u
A
s
t
m
p
d
b
y
n
b
a
s
e
d
o
n
1
7
m
A

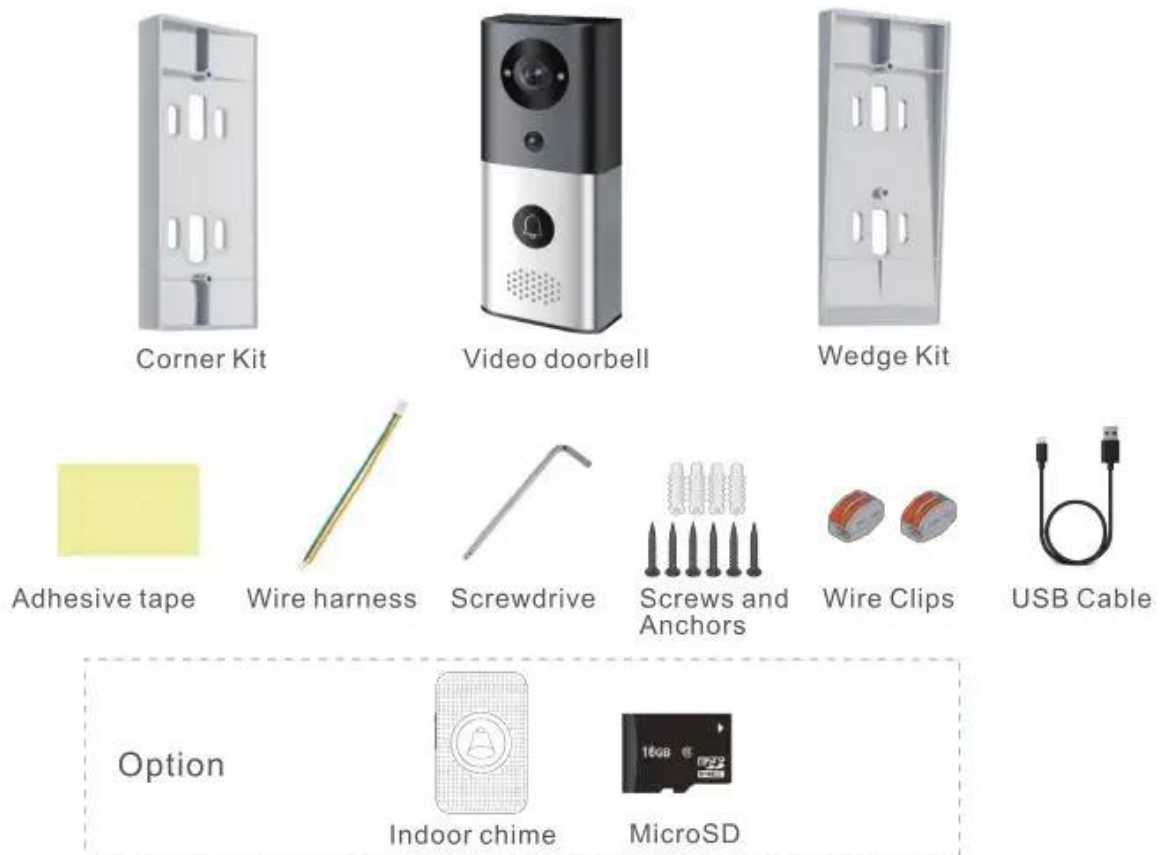
N
R
C
B
T
w
i
s
h
o
n
t
c
o
l
o
r
d
e
v
i
a
t
i
o
n
,
b
l
a
c
k
a
n
d
w
h
i
t
e
n
i
g
h
t
v
i
s
i
o
n

R
C
@
e
2
4
V
P
P
D
C
1
2
-
3
6
V
B
m
A
h
E
r
y
h
i
u
m
b
a
t
t
e
r
y
,
s
t
a
n
d
b
y
6
m
o
n
t
h
s

Product feature



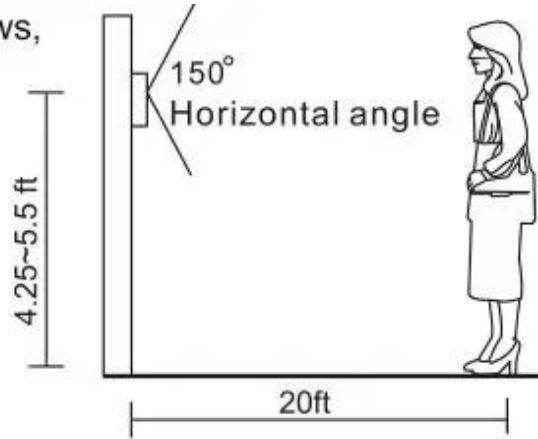
accessories



Smart Doorbell Installation

We recommend that you carefully consider the permanent location of your Smart doorbell, avoiding direct sunlight, as well as wind and rain.

The doorbell is supplied with 2x screws, double sided tape and 1x tamper alarm screws.

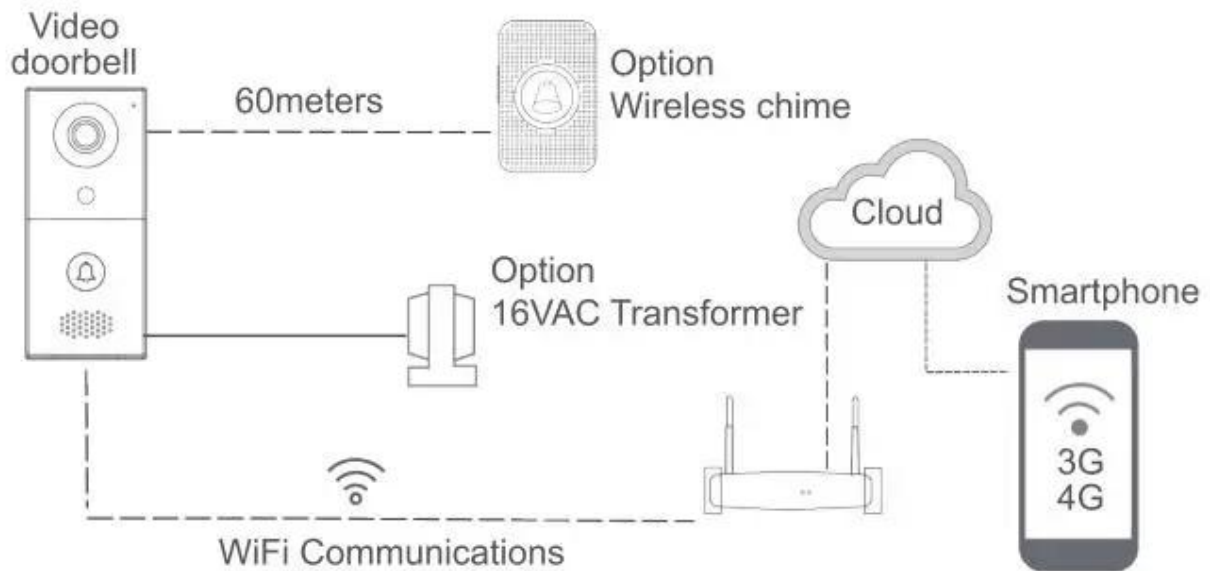


5.1 Should you not be able to use screws into walls or panels, double sided tape is applied to the housing.

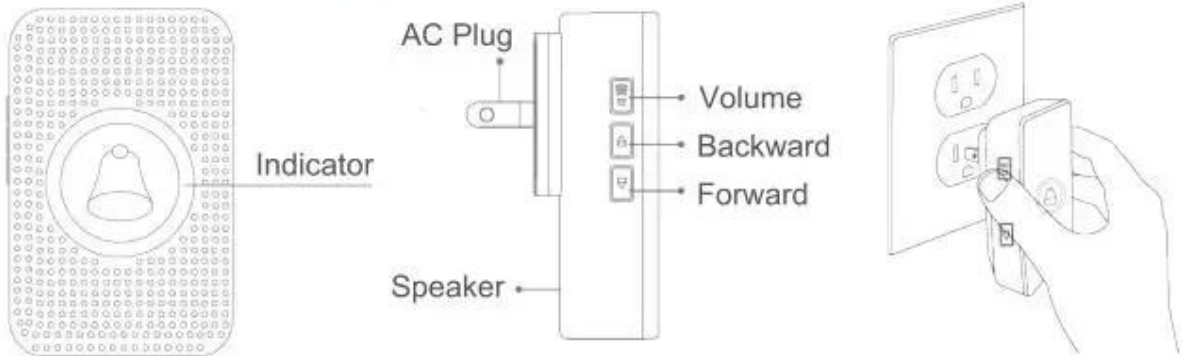


System description

The video doorbell can be connected via WFIF. When the visitor presses the button on the doorbell, their smartphone interacts with the doorbell: Through real-time video and full duplex conversation; Take photos and record videos that you save directly to your smart device; Storing video calls and PIR alarm messages on the door's MicroSD card activates your wireless doorbell with default melodies and volume control. The video doorbell is only compatible with our wireless doorbell, but is not compatible with traditional doorbells.

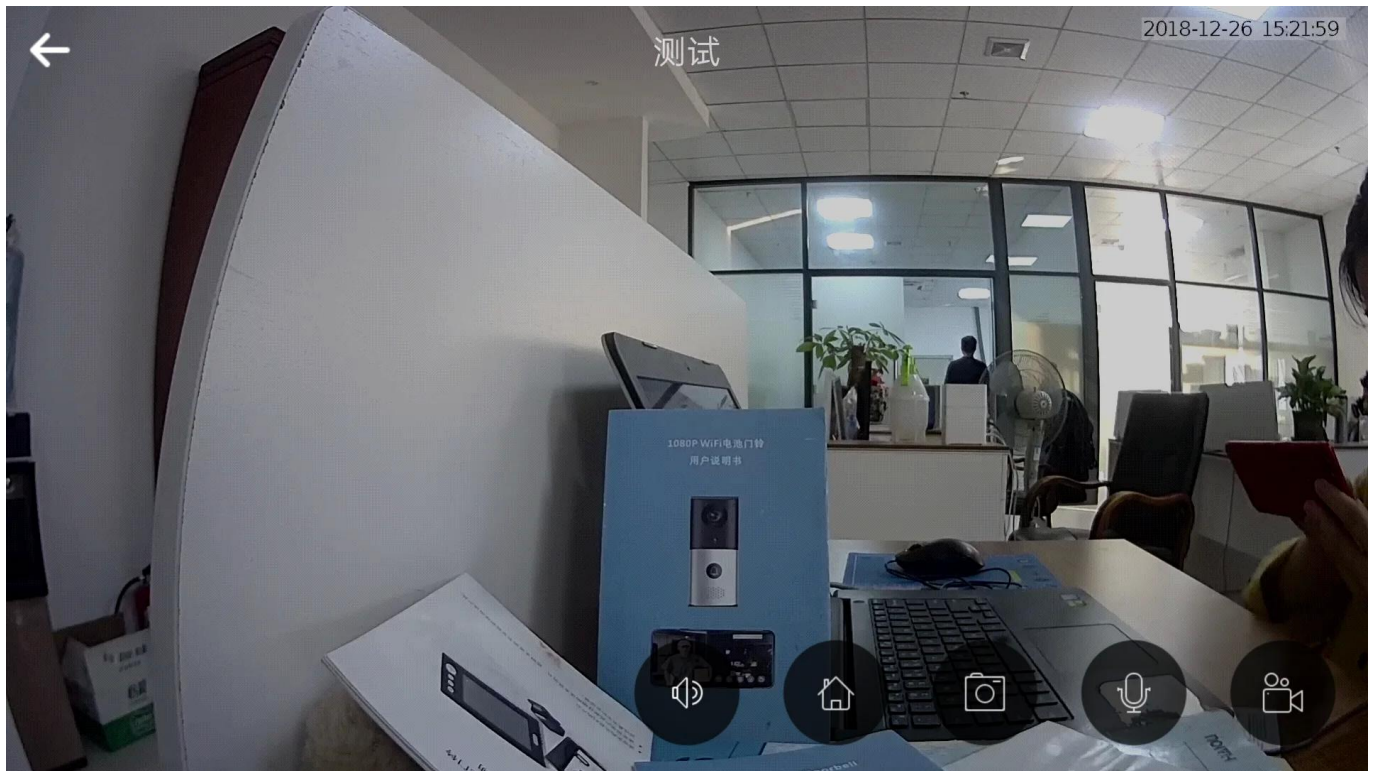


Chime Settings



Introduction to Windows software

The default Windows Client CMS account is admin, the password is blank, you can login username and password of the application. Onvif connects NVR you can make a great recording.



Quality guarantee

- The Warranty Service will be respected if the damage is not caused by humans, ACM Goldbridge provides 2 years warranty for related products.
- On the contrary, ACM Goldbridge will charge extra if it is repaired.
- More information, browse our service center.

Packaging and Delivery

Shipping way

We have strong cooperation with DHL, FEDEX, TNT, UPS, EMS, Forwarder by SEA and By AIR
You can also choose your own shipping agent.

packaging



related products



ACM-VB002

Smart video doorbell



ACM-VB001

WiFi video doorbell with 1080P
battery



ACM-VB003

2.4GHz wireless video doorbell



ACM-101

1MP / 2MP automatic tracking WiFi cameras



ACM-211V

WiFi surveillance 360 degree waterproof outdoor camera Fisheye



ACM-101X

Intelligent low power smart wireless wifi camera doorbell for home



ACM-208

Weigand 125KHZ RFID proximity smart card reader access control



ACM-WEG02

Weigand access control panel 2-door access control panel



ACM-Y066

Single cylinder 12V DC Smart remote control Tire lock

[Click here to order and have your SAMPLE in 3 days!](#)

We are a professional provider of integral security access control products with 20 years of experience, we make sure to offer the best solution of access control system solution! Therefore, send the details of your inquiry then

click "Send" now.

We hope to form successful business relationships with new customers worldwide in the future.

Our service

- 1, any question will be answered within 24 hours
- 2, professional manufacturer and supplier, welcome to visit our website and our factory
- 3, OEM / ODM available
- 4, high quality, fashion design, reasonable and competitive price, fast delivery time
- 5, after sales service:
 - 1), all products will have been strictly controlled by the quality in the house before packing
 - 2), all products will be well packed before shipment
 - 3), all our products have a 2-3 year warranty if the damage is not caused by humans
- 6, faster delivery : About 1 ~ 5 days for sample orders, 7 ~ 30 days for bulk orders
- 7, payment: You can pay for the order through: T / T, Western Union, Paypal, Ali trade assurance
- 8, shipping: We have strong cooperation with DHL, FEDEX, TNT, UPS, EMS, Forward by Sea and BY AIR, you can also choose your own shipping forwarder.