

## High Quality Power Supply In Switching Power Supply DC12V 3A With Access Control System For Door

3A Current power supply

Built-in reverse surge protection and Short-circuit protection function.

This power supply is suitable for building intercom, various entrances access control, particularly suitable for all kinds of electric locks

P  
a  
d  
a  
m  
e  
t  
P  
a  
D  
a  
m  
e  
t  
è  
p  
t  
i  
o  
n

2  
3  
4  
6  
3  
\*  
7  
2  
m  
m  
U  
P  
P  
h  
v  
o  
l  
t  
a  
g  
e  
A  
B  
P  
V  
v  
o  
l  
t  
a  
g  
e  
B  
H  
P  
u  
t  
F  
r  
e  
q  
u  
e  
n  
c  
y

D  
G  
t  
P  
W  
t  
v  
o  
l  
t  
a  
g  
e  
D  
A  
t  
P  
A  
t  
B  
A  
r  
r  
e  
n  
t  
(  
o  
p  
t  
i  
o  
n  
a  
l  
)

⊕  
u  
i  
%  
#  
#  
v  
o  
b  
%  
a  
g  
e  
t  
r  
i  
m  
r  
a  
n  
g  
e  
L  
%  
h  
d  
p  
t  
a  
b  
i  
l  
i  
t  
y  
Y  
F  
i  
h  
s  
D  
e  
l  
a  
y

Q  
a  
c  
t  
s  
C  
o  
n  
t  
r  
o  
l  
,  
E  
l  
e  
c  
t  
r  
i  
c  
L  
o  
c  
k  
,  
R  
e  
l  
e  
a  
s  
e  
B  
u  
t  
t  
o  
n

H  
b  
f  
d  
t  
l  
h  
e  
a  
d  
t  
y  
p  
2  
m  
s  
W  
Ø  
r  
k  
6  
n  
g  
C  
e  
m  
p  
e  
r  
a  
t  
u  
r  
e

S  
t  
e  
a  
h  
m  
a  
t  
h  
e  
s  
i  
s  
i  
g  
n  
e  
a  
i  
n  
t  
e  
d  
B  
h  
o  
t  
e  
C  
t  
B  
a  
n  
i  
t  
P  
r  
o  
t  
e  
c  
t  
i  
o  
n

## Detailed Images

- 1: NO terminal and COM terminal , normally open no output , the key trigger output DC12V, connected electronically controlled lock(0-15 seconds delay , a positive , three negative ) ;
- 2: NC terminal and COM terminal , normally closed output DC12V, after the power button is triggered,then the electric or magnetic latch,Power locks ( 0-15 seconds delay , 2 positive, 3 negative ) ;
- 3: DC12V output voltage regulation, 4 is positive , 5 negative ;
- 4: open button input terminal ( for negative power supply ) , which can be accessed switch output(relay output, low )control Electric lock access control system ;
- 5: open button input terminal ( on the positive power supply ) , which can be accessed switch output( relay output, high level ) control ,Electric lock access control system ;
- 6: 12V input voltage door, dedicated to the direct control of the output voltage electric lock access control

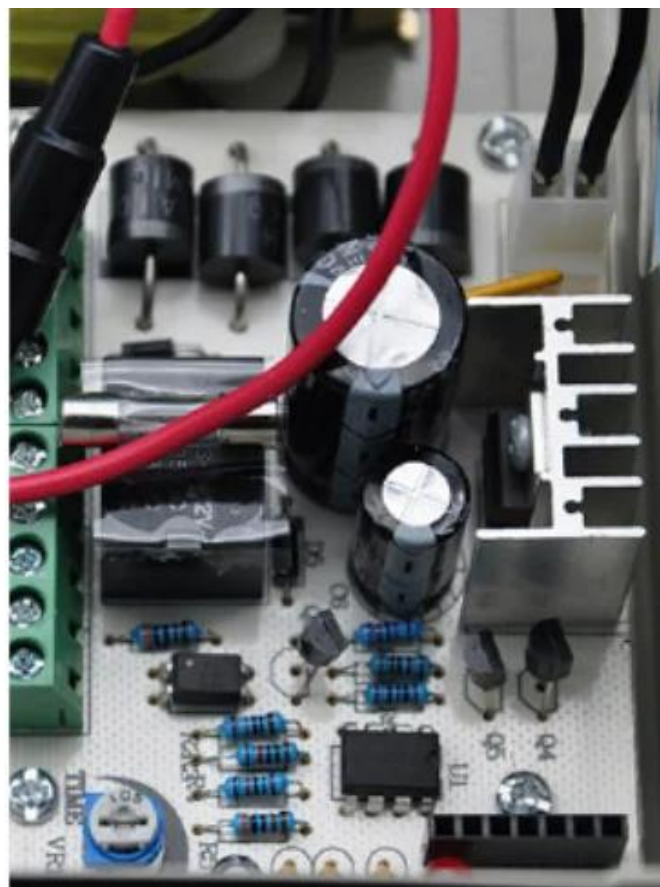




POSITIVE



BACK



## Scope of Application



Company



Hospital



Hotels



Logistics



Port



Financial



Government



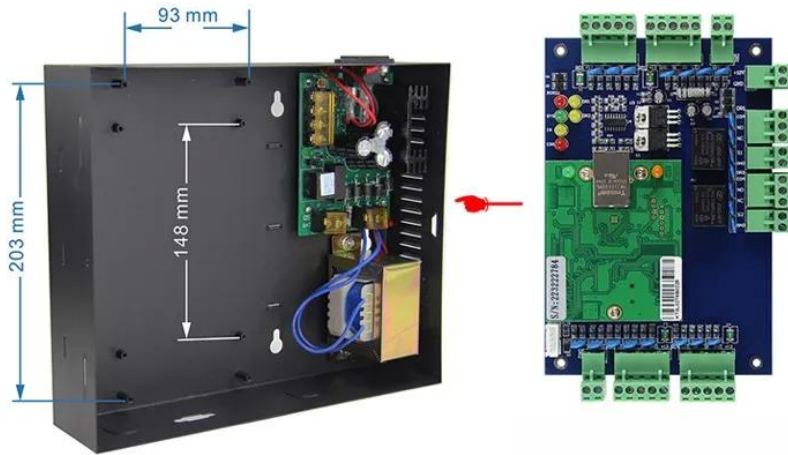
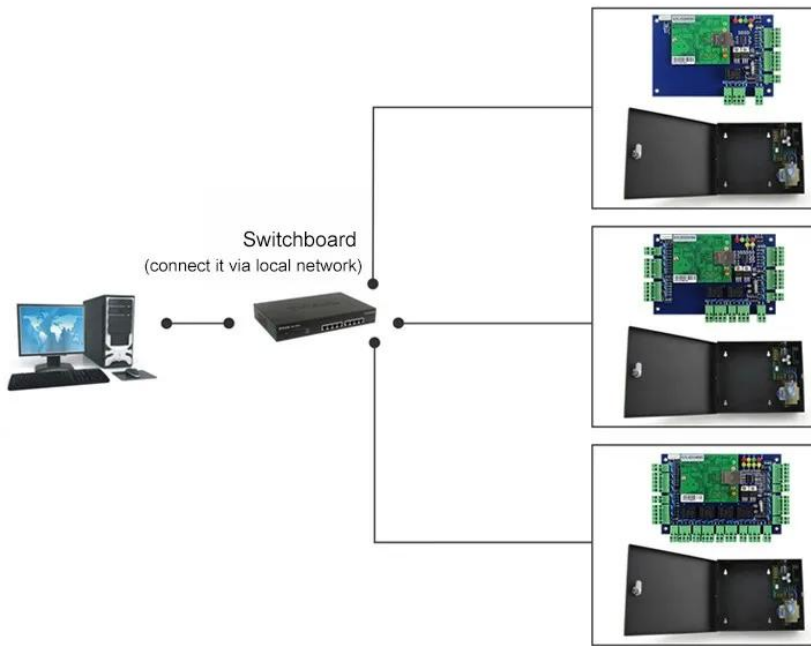
Factory



Aviation

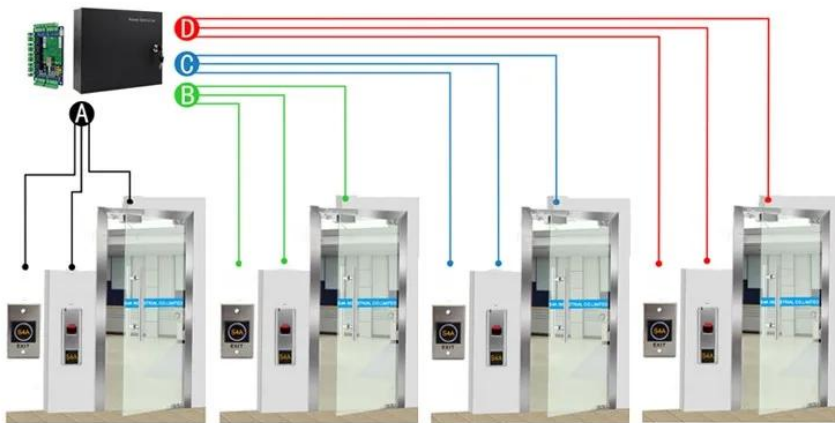


School



**Kindly remind:**

All network control board must configure with access power supply.  
1 board for 1 power supply



**ACM-WEG04**

Four doors 1 way: Control 4doors (Enter by Swipe cards and Exit by Push button)

## Packing & Delivery

Every order we will check the quality firstly to ensure our customer get the best product. Our staff will pack it carefully to avoid the damage of transportation. We will ship every goods out as soon as possible.



**EXW**

**FCA FOB**

**CIF CFR**

### **Shipping Way (Just for new customers reference )**

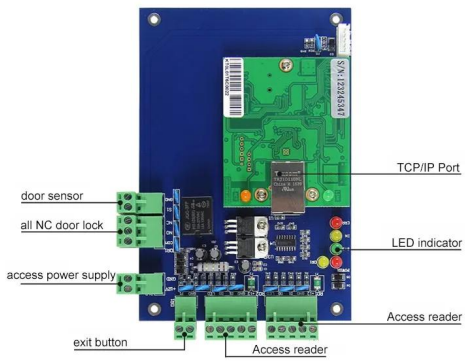
We are one of the leading exporter of RFID products in China since 2000 years . With rich international trade experience we know the international shipping very well , We know which express or air/sea line is cheap and safe to your country . We can supply various certificate for you to clean your custom to such as CO , FTA , Form F , Form E ...Ect . We wil provide our professional suggestion for your shipping . EXW , FOB , FCT , CIF , CFR ...trade term are ok for us . We can be your reliable partner for products and shipping .

**[Click here to order and have your FREE SAMPLE in 3 days!!!](#)**

We are professional comprehensive security access control products supplier with 20 years experience, we make sure to offer the best solution of access control system solution! So, send your inquiry details in the below, click "[Send](#)" now! We are looking forward to forming successful business relationships with new clients around the world in the future.

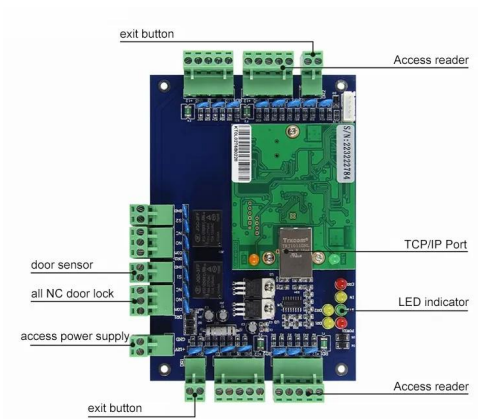
## Related Products





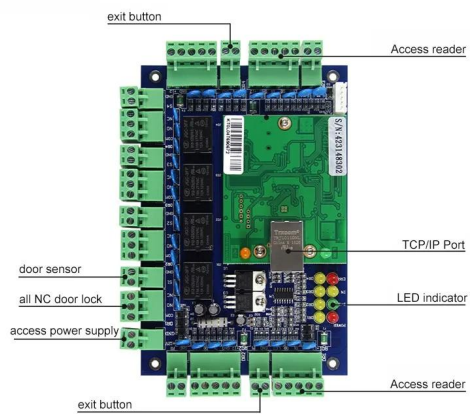
## ACM-WEG01

It can control 1 door.



## ACM-WEG02

It can control 2 door.



## ACM-WEG04

It can control 4 door.

You May Like



**ACM-K2A/B**

No touch Door Release Exit Button with led



**ACM-Y280**

Surface mounted magnetic lock  
(280kg/600lbs)



**ACM-Y806-5A**

Power supply 5A for access control



### **ACM225**

Touch Keypad RFID Access Control  
12khz



### **ACM-210**

Metal Waterproof RFID Wiegand  
Access Control



### **ACM26X**

125Khz EM Card RFID Reader Size:  
115mm×75.5mm×16.8mm

Our Company

## ACM Shenzhen Goldbridge industrial company

As a one of leading exporter of RFID products in China , we have been in this field for 20 years already . We have rich production and exportation experience on RFID products . Our strength products are : RFID card , RFID keyfob , RFID wristband , RFID tag and various RFID reader . We are also the access control solution provider.



## Our Service

### Your satisfactory is our goal.

- 1.Any inquires will be replied within 24 hours
2. Professional manufacturer and supplier, Welcome to visit our website and our factory
- 3.OEM/ODM Available
4. High quality, fashin desing, reasonable & competitive price, fast lead time
- 5.After-sale Service :
  - A:All products will have been strictly quality checked in house before packing
  - B: All products will be well packed before shipping
  - C:All our products have 2-3 year warranty if the damage is not caused by human
6. Faster delivery : Around 1~ 5 days for sample order, 7~30 days for bulk order
7. Payment : You can pay for the order via : T/T, Western Union, Paypal, Ali trade assurance
- 8.Shipping: We have strong cooperation with DHL, FEDEX, TNT, UPS, EMS, Forwarder by SEA and By AIR, You also can choose your own shipping forwarder.

### Quality Warranty

- 1.Warranty Service will be honored if the damage is not caused by human, ACM Goldbridge provides 2 years warranty for relative products.
- 2.On the contrary, ACM Goldbridge will charge extra if repair.
3. More information, please browse our service center.