

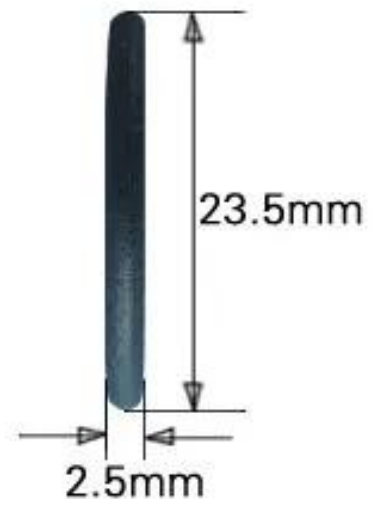
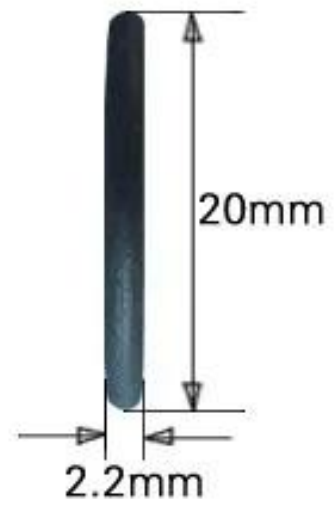
Product Description

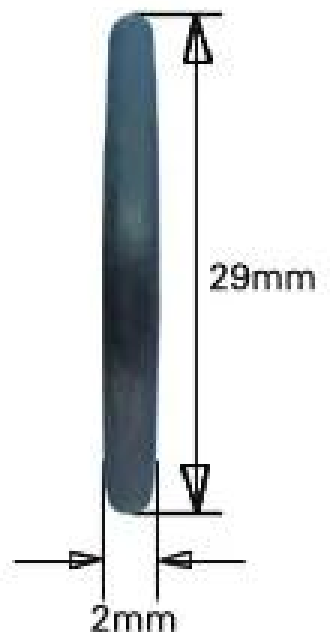
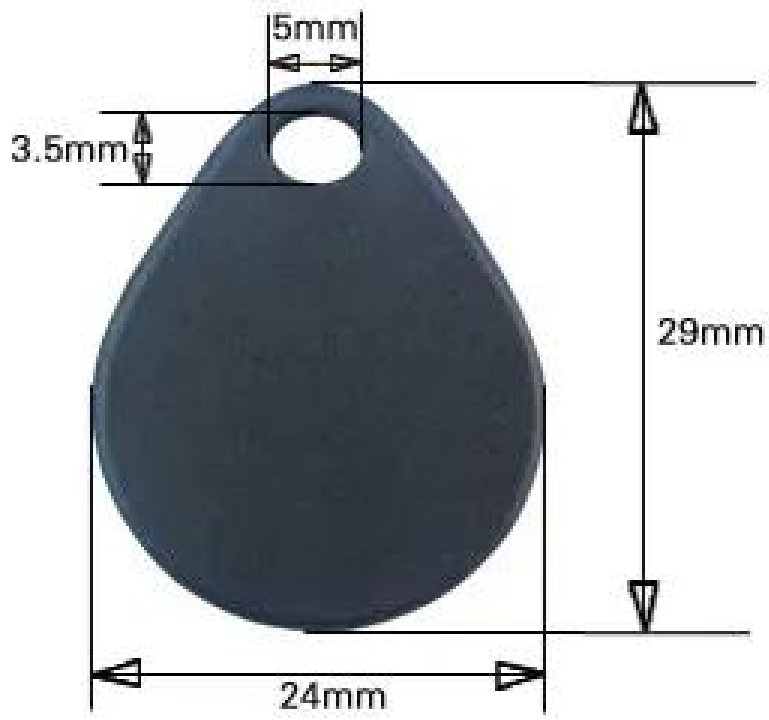


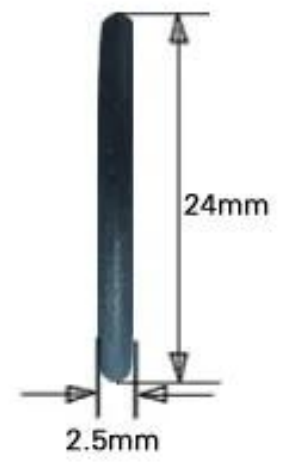
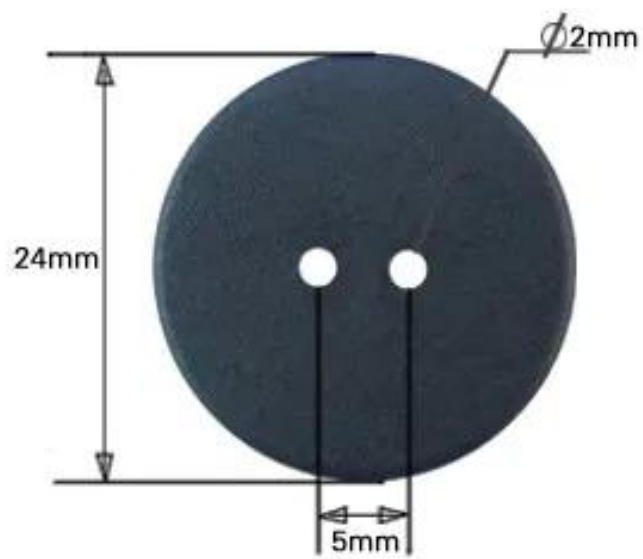
Resist high temperature /waterproof /wetproof /quakeproof rfid tag

1. Material: PPS
2. Size: 20mm, 23.5mm, 24mm are all available
3. Color: colorful, Printed according to your demand
4. Chip: 125khz, 13.56mhz, UHF are all available
5. Work temperature: -30-220°C





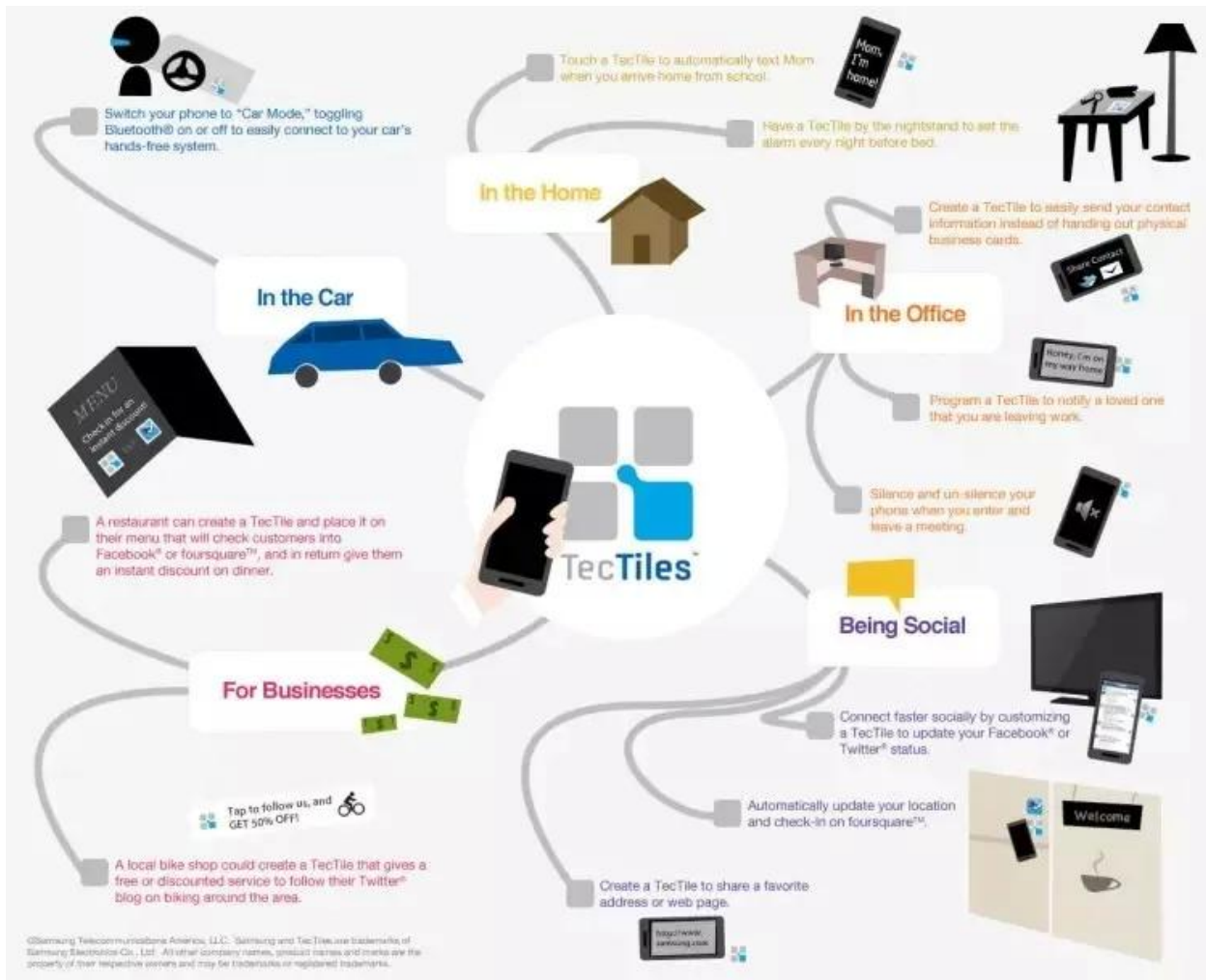




Chip Information

Chip type	Protocal	Capacity	Anti collision	Function
NTAG® 213	ISO14443A	180 Byte	NO	Read/write
NTAG® 215		540 Byte	NO	
NTAG® 216		924 Byte	NO	
NTAG® are registered trademarks of NXP B.V. and are used under license.				
MIFARE Classic® 1K	ISO14443A	1KB	NO	Read/write
MIFARE Classic® 4K		4KB	NO	
MIFARE Ultralight® EV1		640 Bit	NO	
MIFARE Ultralight® C		1184 Bit	NO	
MIFARE and MIFARE Classic® are registered trademarks of NXP B.V. and are used under license.				
MIFARE and MIFARE Ultralight® are registered trademarks of NXP B.V. and are used under license.				
MIFARE Plus® 1K	ISO14443A	1KB	NO	Read/write
MIFARE Plus® 2K		2KB	NO	
MIFARE Plus® 4K		4KB	NO	
MIFARE and MIFARE Plus® are registered trademarks of NXP B.V. and are used under license.				
MIFARE® DESfire® EV1 2K	ISO14443A	2KB	NO	Read/write
MIFARE® DESfire® EV1 4K		4KB	NO	
MIFARE® DESfire® EV1 8K		8KB	NO	
MIFARE® DESFire® are registered trademarks of NXP B.V. and are used under license.				
ICODE® SLIX	ISO15693	1KB	Yes	Read/write
ICODE® SLIX-S		2KB	Yes	
ICODE® SLIX-L		512 Bits	Yes	
ICODE® SLIX-M		1KB	Yes	
ICODE® are registered trademarks of NXP B.V. and are used under license.				

Application



- Application: Access control, Ticket, Mobile payment, Poster, Clothing management, Inventory, Assets management, Aviation Luggage tag management, Library management, Logistic, Anti-fake, Document tracking management, Express package management, Parking system, ETC etc.



RFID Windshield tag

- 1, Paper/PVC/PET available
- 2, CMYK Offset/Silk printing
- 3, Anti tamper



Anti metal RFID tag

- 1, Custom size available
- 2, 0.15/0.35mm anti metal material
- 3, CMYK Offset and silk printing



Temper proof RFID sticker

- 1, Fragile Paper and antenna
- 2, Custom size and chip available
- 3, Data encoded, ID number printed, QR code etc



RFID Inlay

- 1, Custom size available
- 2, Support Dry or Wet Inlay
- 3, Custom package with antistatic bag

Inner Box Package

Outside Carton Package



EXW

FCA FOB

CIF CFR

Shipping Way (Just for new customers reference)

We are one of the leading exporter of RFID products in China since 2000 years . With rich international trade experience we know the international shipping very well , We know which express or air/sea line is cheap and safe to your country . We can supply various certificate for you to clean your custom to such as CO , FTA , Form F , Form E ...Ect . We wil provide our professional suggestion for your shipping . EXW , FOB , FCT , CIF , CFR ...trade term are ok for us . We can be your reliable partner for products and shipping .

1,Any inquires will be replied within 24 hours

2, Professional manufacturer and supplier, Welcome to visit our website and ourfactory

3, OEM/ODM Available

4, High quality, fashin desing, reasonable & competitive price, fast leadtime

5, After-sale Service :

1) All products will have been strictly quality checked in house before packing

2) All products will be well packed before shipping

3) All our products have 2-3 year warranty if the damage is not caused by human

6, Faster delivery : Around 1~ 5 days for sample order, 7~30 daysfor bulk order

7, Payment : You can pay for the order via : T/T, Western Union,Paypal, Ali trade assurance

8, Shipping: We have strong cooperation with DHL, FEDEX, TNT, UPS,EMS, Forwarder by SEA and By AIR, You also can choose your own shippingforwarder.

Quality warranty:

Warranty service will be honored if the damage is not caused byhuman, ACM Goldbridge provides 2 years warranty for relative products.

On the contrary, ACM Goldbridge willcharge extra if repair.

More information, please browse ourservice center.

FAQ

Q: 1. How can I place an order?

A:Please list your requirement to us via inquiry. Then we will send the offer to you at earliest time,after order confirmation,we will arrange production ASAP.

Q: 2.What aboutthe payment and shipment?

A:Trade Assurance and T/T ,Paypal, Western Union.

Clients can choose by sea, air or express(DHL,FedEx, TNT UPS etc.)

Q: 3. How can i get a sample tocheck your quality?

A:Wecould provide free sample to you, and the freight cost payed by you.

Q:4. How long can I expect to get the samples?

A:It depends on the quantity. Normally 3-7 days for 5000pcs and 7-15 days for 100,000pcs

Q:5. Can your products be customized?

A:Almost all of your products are customized ,including the material, size,thickness and printing. OEM orders are highly welcome.

Q:6.Are you a trading company or factory?

We are the one of the biggest manufacturer of RFID cards/NFC tags/RFID keyfob /RFID wristband in China more than 20 years.

20⁺ YEARS EXPERIENCE OEM & ODM

ACCESS CONTROL SYSTEMS ONE STOP SOLUTION PROVIDER

Goldbridge is Top 10 China Manufacture On Alibaba, Specializes In Provide Kinds Of RFID/NFC Cards, FID Tags, RFID Card Reader, UHF Reader, Access Control System, Electromagnetic Locks, etc Since 1999



- Customized Services
- Quality Assurance
- Fast Delivery
- Best After-Sales Service

ADVANTAGE



WHY CHOOSE US?

- 1 FAST DELIVERY** Faster delivery by air by express. (DHL, UPS or Fedex)
- 2 LONG HISTORY** 20 years experience in RFID & Access Control industry
- 3 OEM ACCEPTABLE** 20 years OEM&ODM experience for 1000 + VIP client from US and Europe
- 4 HIGH QUALITY** Design and manufacture high quality products with 30 R&D; engineers.



OUR FACTORY



- 1 Access Control and RFID Reader Production Line**
- **Access Control and RFID Reader Production Line:**
 - Monthly production quantity is up to 50,000pcs, We are Provides OEM&ODM services including product research and development, LOGO printing, customized.etc



- 2 Door Lock Production Line**
- **Electromagnetic lock & Smart Door Lock Production Line :**
 - Monthly production quantity is up to 100,000pcs ,
 - Our factory is built with modern manufacture environment, facilities, equipment and professional operation technicians.
 - Goldbridge Provides OEM&ODM services including product research and development, LOGO printing and product box customized.



- 3 RFID Cards & Tags Production Line**
- **RFID & NFC Cards & Tags Production Line :**
 - RFID Tag, Wristband, Keyfob: 11,000,000pcs (monthly output)
 - Four Production Lines For Smart Card, PVC Card, Prelam Sheet: 20,000,000pcs (monthly output)
 - Goldbridge Provides OEM&ODM services for LOGO printing, development, customized.

APPLICATION

Bus, supermarket, school, government, hospital, factory



CERTIFICATE



PRODUCT CATEGORY

RFID / NFC SMART CARD

Be customized according to you need

Fit for systems of transport, E-payment, Access Control, Event, Loyalty, ect.



[View More](#)

ACCESS CONTROL SYSTEM

Security for All: Network Access Control Board ,Standalone Access Controller, Biometric Access Control, T&A time attendance, Facial Access Control



[View More](#)

RFID & LONG RANGE UHF READER

20+ Years of professional Experience in production of rfid uhf hardware

- UHF desktop reader writer,
- UHF integrated reader,
- UHF R2000 fixed reader,



[View More](#)

ELECTROMAGNETIC LOCK

Professional Electric Locks Manufacturer In China

Electromagnetic lock with OEM & ODM since 1999 60KG /110KG /180KG /280KG /350KG /500KG



[View More](#)

FAQ

Q1 How can I place an order?

A1 Click start to order or list your requirement to us by email. Then we will send the offer to you ASAP, after the order confirmed, we will arrange production ASAP.

Q2 What about the payment and shipment?

A3 T/T , Paypal, Western Union etc.
You can choose your agent or via our agent by sea, air or express (DHL,FedEx, TNT UPS etc.)

Q4 How can I get a sample to check your quality?

A4 We could provide the sample to you, pls check the sample cost and freight cost with us.

Q5 How long can I expect to get the goods?

A5 It depends on the quantity and shipping way. You can check with us before ordered.

Q6 Can your products be customized?

A6 Almost all of our products are customized , including the material, size, thickness and printing. OEM orders are highly welcome.



[Contact Us](#)



[BACK TO HOMEPAGE >](#)

