

## Product Description



### **IP66 Waterproof RFID System Biometric Fingerprint Reader Standalone Embedded Access Control**

- > Metal case, embedded design
- > One Programming relay output
- > Multi-color LED Status Display
- > 1000 Users(100 Fingerprint Users + 890 Card Users + 10 Visitor User)
- > Card type: 125KHz EM card
- > Capacitive Fingerprint Sensor
- > Wiegand 26 bits output
- > Wiegand 26/34 bits input automatic identification

U  
S  
E  
R  
I  
T  
Y  
F  
I  
N  
G  
E  
R  
P  
R  
I  
N  
T  
C  
A  
R  
D  
V  
I  
S  
I  
T  
O  
R

O  
P  
e  
r  
a  
t  
i  
o  
n  
a  
l  
S  
y  
s  
t  
e  
m  
A  
n  
a  
l  
y  
s  
i  
s  
A  
d  
d  
l  
e  
C  
u  
r  
r  
e  
n  
t  
A  
c  
t  
i  
v  
e  
C  
u  
r  
r  
e  
n  
t

E  
M  
Ø  
Z  
B  
K  
H  
z  
P  
C  
e  
x  
i  
l  
R  
è  
t  
d  
E  
a  
R  
d  
d  
B  
o  
M  
e  
c  
h  
n  
o  
l  
o  
g  
y  
R  
e  
a  
d  
R  
a  
n  
g  
e

E  
ä  
p  
g  
e  
r  
p  
r  
v  
e  
F  
R  
e  
g  
e  
d  
e  
p  
R  
e  
n  
t  
M  
a  
d  
i  
b  
e  
t  
D  
E  
h  
t  
i  
S  
i  
e  
%  
t  
i  
m  
e  
F  
A  
R  
R  
R  
R

W  
è  
r  
a  
y  
g  
C  
o  
p  
n  
e  
c  
è  
k  
D  
n  
b  
u  
t  
t  
o  
n  
,  
w  
i  
e  
g  
a  
n  
d  
(  
i  
n  
&  
o  
u  
t  
)

Q  
R  
E  
A  
N  
D  
P  
N  
C  
S  
C  
a  
h  
h  
e  
R  
E  
T  
a  
Q  
Q  
a  
c  
p  
n  
d  
T  
I  
h  
e  
E  
o  
k  
O  
s  
d  
P  
fi  
a  
L  
b  
a  
p  
2  
A  
m  
p  
M  
a  
x  
i  
m  
u  
m

M  
A  
S  
T  
E  
R  
S  
B  
R  
H  
M  
G  
N  
Z  
D  
P  
E  
R  
A  
T  
C  
H  
G  
T  
A  
M  
P  
E  
I  
A  
T  
H  
R  
E  
S  
P  
E  
R  
H  
E  
R  
A  
E  
%  
R  
H  
H  
u  
m  
i  
d  
i  
t  
y



B  
h  
a  
s  
i  
t  
e  
s  
C  
S  
t  
e  
e  
D  
P  
h  
a  
n  
e  
S  
b  
h  
a  
U  
n  
&  
B  
W  
a  
c  
k  
h  
t  
S  
h  
v  
p  
P  
b  
m  
m  
W  
4  
5  
9  
2  
8  
5  
9

Ph  
m  
s  
i  
A  
h  
l  
C  
o  
s  
b  
r  
D  
e  
m  
&  
B  
s  
o  
k  
E  
U  
A  
o  
k  
W  
z  
x  
H  
B  
S  
C  
h  
m  
p  
P  
S  
H  
g  
W  
6  
S  
g  
h  
t

Product Show

EF2 ———

Embedded Fingerprint Access Control



Embedded Design



IP66 Waterproof



Wiegand  
input & output

Data 0



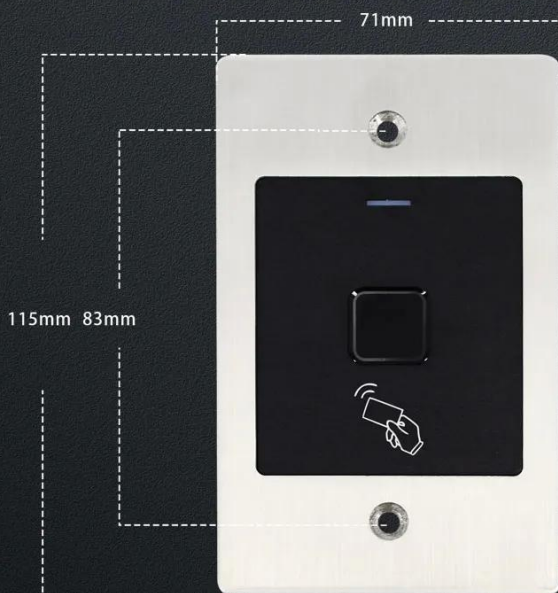
Data 1



Brushed Metal Case

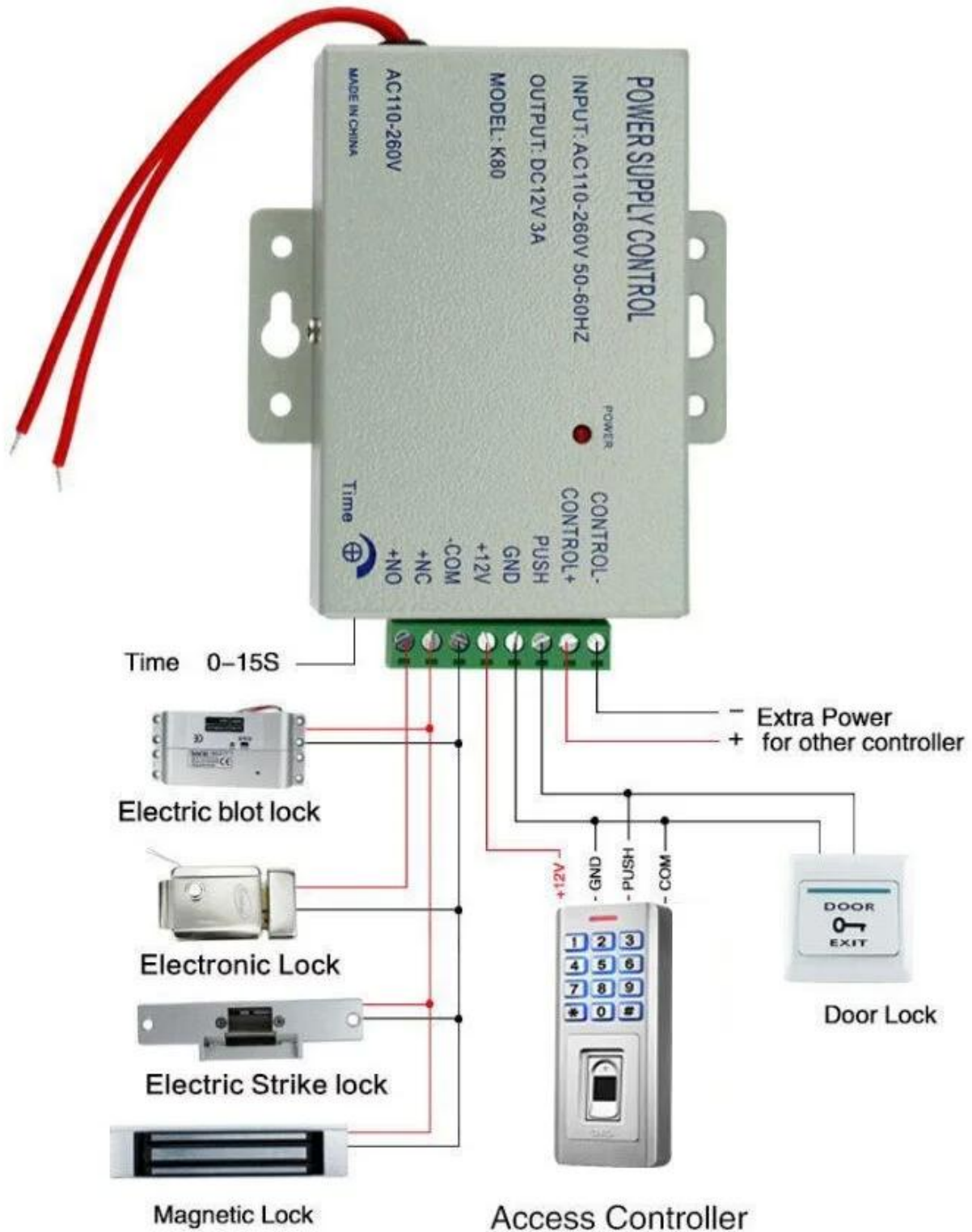


Size



[Detailed Image](#)

Supports Wiegand 26/34 output, can be used as a card reader door access control



Our Service

## Our Service

1. Any inquiries will be replied within 24 hours
2. Professional manufacturer and supplier, Welcome to visit our website and our factory
3. OEM/ODM Available
4. High quality, fashion desing, reasonable & competitive price, fast lead time
5. After-sale Service :  
A: All products will have been strictly quality checked in house before packing  
B: All products will be well packed before shipping  
C: All our products have 2-3 year warranty if the damage is not caused by human
6. Faster delivery : Around 1~ 5 days for sample order, 7~30 days for bulk order
7. Payment : You can pay for the order via : T/T, Western Union, Paypal, Ali trade assurance
8. Shipping: We have strong cooperation with DHL, FEDEX, TNT, UPS, EMS, Forwarder by SEA and By AIR, You also can choose your own shipping forwarder.

## Quality Warranty

- Warranty Service will be honored if the damage is not caused by human, ACM Goldbridge provides 2 years warranty for relative products.
- On the contrary, ACM Goldbridge will charge extra if repair.
- More information, please browse our service center.

## Packing & Delivery



### Shipping Way

We have strong cooperation with DHL, FEDEX, TNT, UPS, EMS, Forwarder by SEA and By AIR  
You also can choose your own shipping forwarder.

### Packaging

Keypad access control packaging: 1unit per box, 50pcs per carton,  
Carton size : 45\*31\*28cm , Gross Weight :16kg.