

Product Description



IP68 Waterproof Metal Finger Print Recognition Access Control System RFID Controller Wiegand26 Fingerprint Reader

- > Metal housing, anti-vandal
- > Standalone with offline Time Attendance
- > Card type: EM Card or Mifare Card (Optional)
- > Multiple Access: Fingerprint, card + Fingerprint, or card only
- > With Wiegand 26 or 34 bits input & output

Product Show

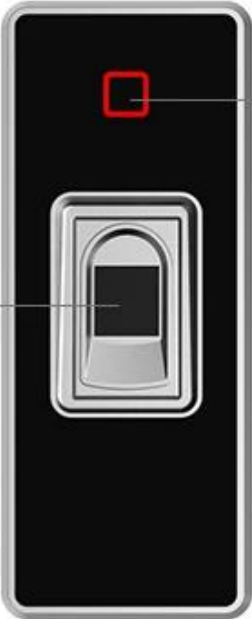
M
n
b
t
l
i
e
f
N
a
m
e
i
o
n
A
c
c
e
s
s
C
o
n
t
r
o
l
D
i
m
e
n
s
4
6
h
W
W
*
E
8
D
H
m
m
m

V
Ø
V
D
E
E
E
%
E
á
z
d
p
a
p
a
n
á
t
y
E
í
g
p
r
p
o
ñ
a
t
c
a
p
a
c
i
t
y
W
G
ñ
ñ
i
n
t
e
n
f
à
o
E

R
e
a
d
i
n
g
t
i
m
e
R
e
a
d
i
n
g
D
i
s
t
a
n
c
e
W
o
r
k
i
n
g
F
e
m
p
e
r
a
t
u
r
e

W
O
r
O
%
R
H
h
u
m
i
n
i
t
u
r
e
C
a
b
K
H
Z
P
M
s
t
a
n
d
a
r
d
c
a
r
d





Double color LED lights

Fingerprint sensor

Fingerprint sensor

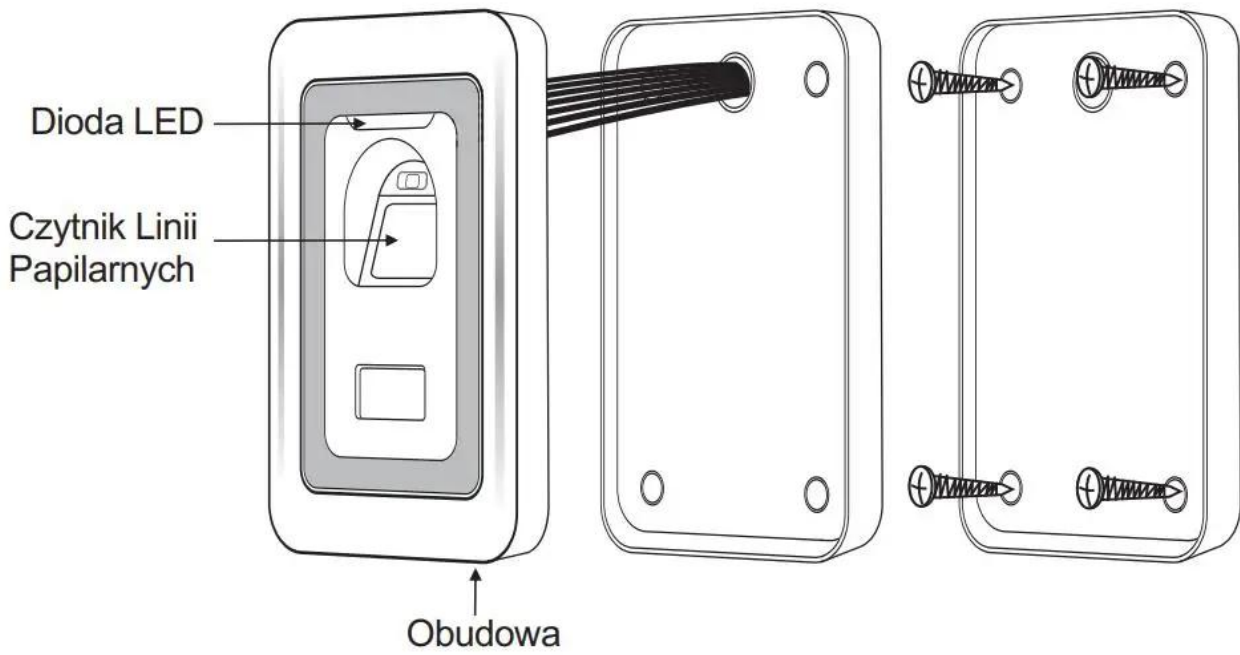


Wiegand 26 bit

Waterproof degree: IP68

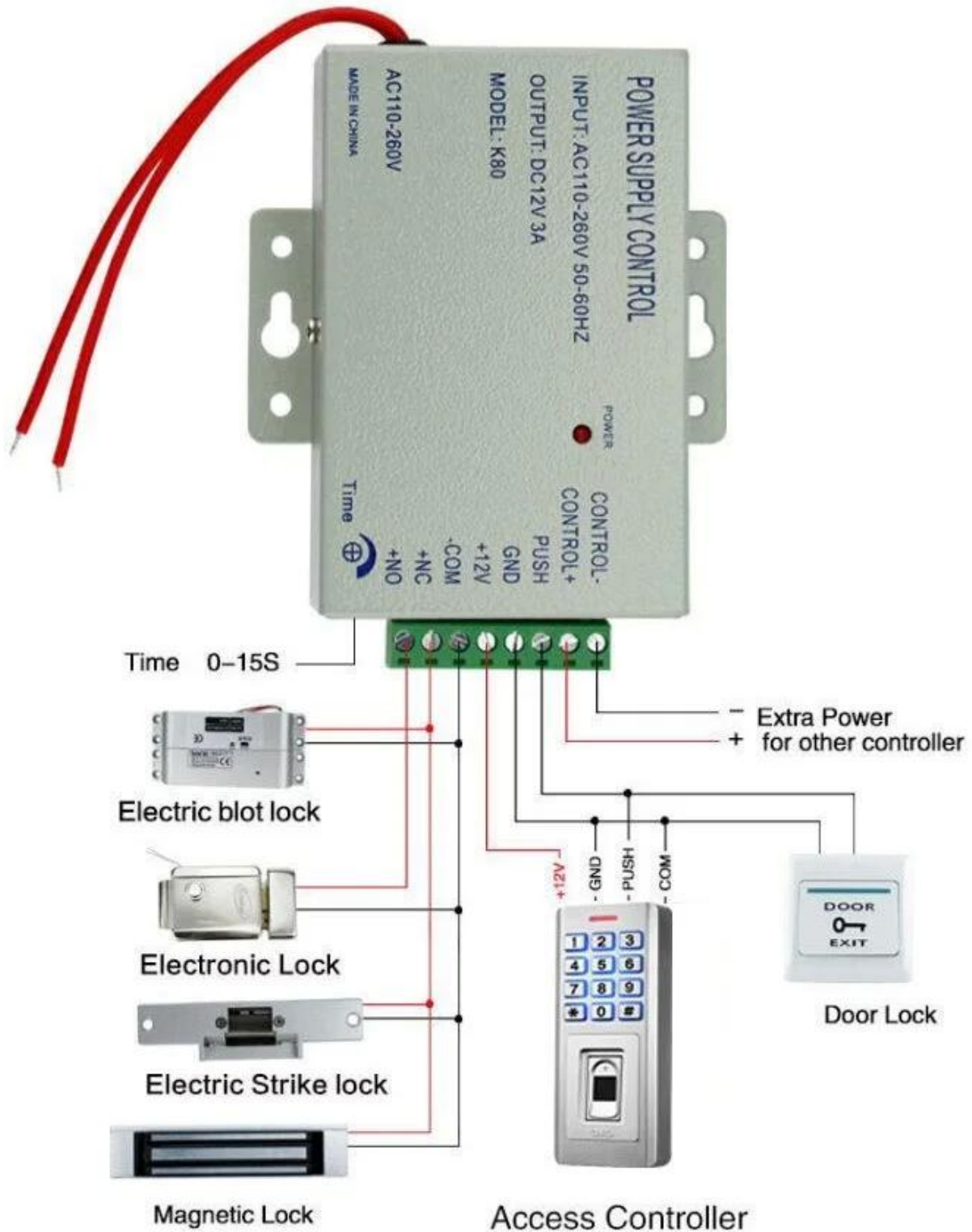


110mm



[Detailed Image](#)

Supports Wiegand 26/34 output, can be used as a card reader door access control



Our Service

Our Service

- 1.Any inquires will be replied within 24 hours
2. Professional manufacturer and supplier, Welcome to visit our website and our factory
- 3.OEM/ODM Available
4. High quality, fashin desing, reasonable & competitive price, fast lead time
- 5.After-sale Service :
A:All products will have been strictly quality checked in house before packing
B: All products will be well packed before shipping
C:All our products have 2-3 year warranty if the damage is not caused by human
6. Faster delivery : Around 1~ 5 days for sample order, 7~30 days for bulk order
7. Payment : You can pay for the order via : T/T, Western Union, Paypal, Ali trade assurance
- 8.Shipping: We have strong cooperation with DHL, FEDEX, TNT, UPS, EMS, Forwarder by SEA and By AIR, You also can choose your own shipping forwarder.

Quality Warranty

- Warranty Service will be honored if the damage is not caused by human, ACM Goldbridge provides 2 years warranty for relative products.
- On the contrary, ACM Goldbridge will cahрге extra if repair.
- More information, please browse our service center.

Packing & Delivery





Shipping Way

We have strong cooperation with DHL, FEDEX, TNT, UPS, EMS, Forwarder by SEA and By AIR
You also can choose your own shipping forwarder.

Packaging

Keypad access control packaging: 1unit per box, 50pcs per carton,
Carton size : 45*31*28cm , Gross Weight :16kg.