

Dimensions	115Lx70Wx26H(mm)
Input	DC12V-24V
Contact Rating	1A@36VDC
Output Contact	NO/NC/COM
Mechanical Life	500000 tests
Suitable for Door	Hollow Door
Operating temp	-20°C~+55°C(14-131F)
Suitable Humidity	0-95% (relative humidity)
Detection range	0.1~10cm
Unit Weight	0.11KG
Standard Package	100PCS/carton
Carton Weight	11KG
Carton Size	51*43*33(cm)



Read the card for Guarantee Details of Product

Guarantee

User File

User name	Sex	Age
Address		
Telephone	Zip	
Purchasing address	Numbers	
Retail price	Model No.	
Company name and specification	Signature	
Serial		

Guarantee Item

- 3months upon date of purchase, if there is any problem,we should offer the same item, subject to goods and packing material
- 1year upon date of purchase, we will repair the goods in repair. (not including fittings)
- Guarantee service is subject to normally using
- All of damage by man-made(tear open the housing, tear off the sticker, unnormally using),or losing this card, we will not guarantee.



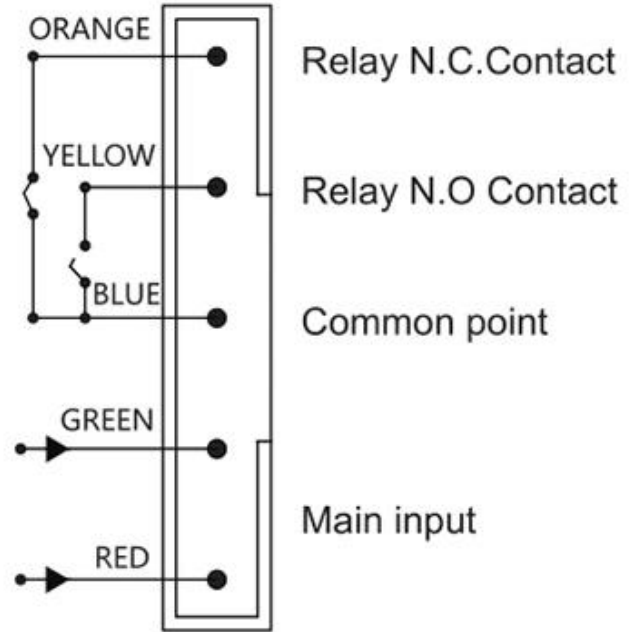


NC

NO

COM

AC/DC
12V~36V



Relay N.C.Contact

Relay N.O Contact

Common point

Main input