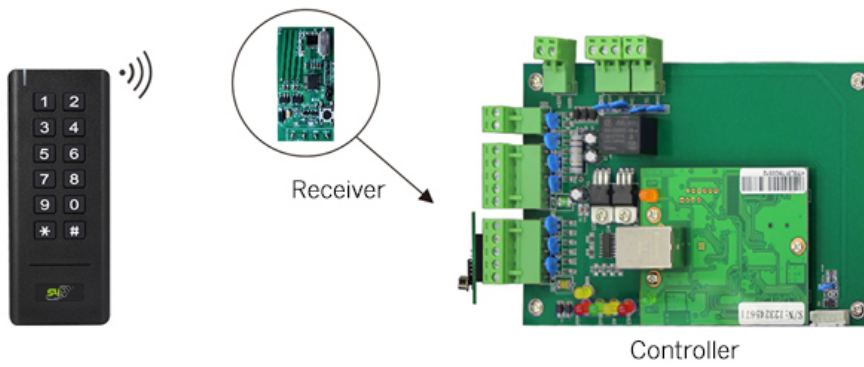


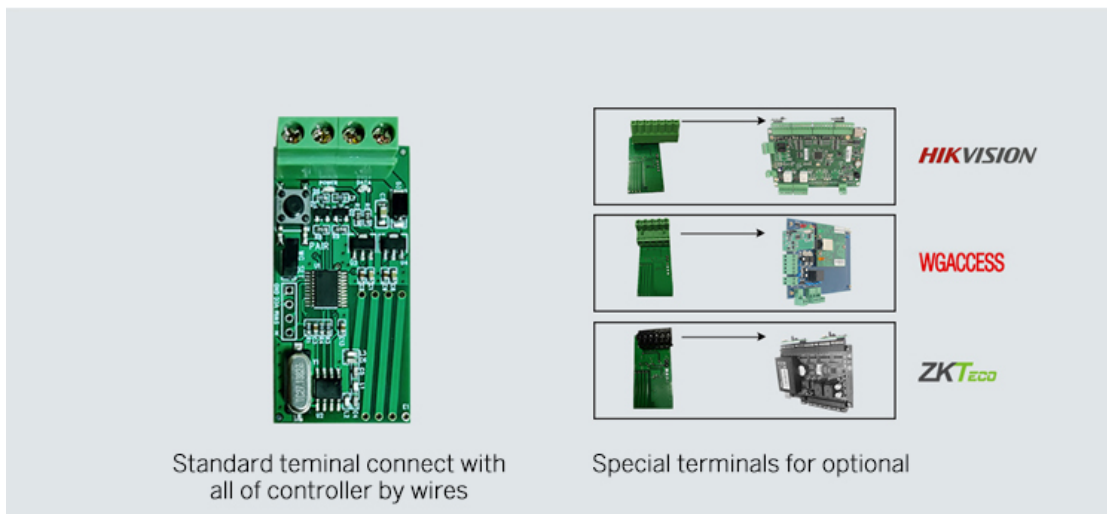
ACM-305 is a Wireless Keypad reads PIN only, including the Wireless Keypad and Receiver, it's 433MHz Rolling code communication between the keypad and receiver, and the receiver can be connected to any 3rd party Wiegand controller.

- > 433MHz Rolling Code technology
- > PIN Length: 1-6 digits
- > Programmable Wiegand output of the Receiver: 26 bits or 34 bits
- > Communication distance: 30m maximum
- > Ultra-low power consumption

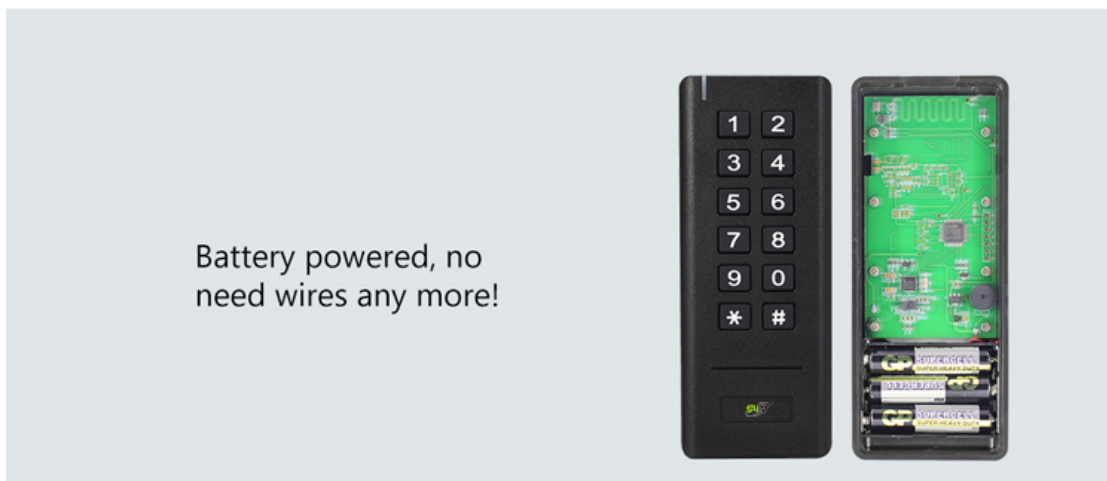
Wireless Keypad	PIN Length	1-6 digits
	Operating Voltage	3 units of AAA batteries
	Idle Current	≤5uA
	Working Current	≤45mA
	Reading Distance	≤3cm
	Communication Frequency	13.56MHz
	Communication Distance	30m Maximum
	Operating Temperature	-20°C□60°C (-4°F□140°F)
	Operating Humidity	0%□86%
	Physical	ABS
	Dimensions	L134 x W55 x H20 (mm)
Net Weight	100g	
Receiver	Operating Voltage	12V DC
	Working Current	≤15mA
	Communication Frequency	433MHz
	Wiegand Output Format	26 bits Or 34 bits (Default is 26 bits)
	Operating Temperature	-20°C□60°C (-4°F□140°F)
	Operating Humidity	0%□86%
	Dimensions	L25 x W50 (mm)
Net Weight	10g	
Wireless Button (Optional Accessory)	Operating Voltage	1unit of 2023 Lithium battery
	Idle Current	≤2uA
	Working Current	≤20mA
	Communication Frequency	433MHz
	Communication Distance	20m Maximum



Can work with any wiegand controller



Can pair 16pcs max



Fast installation within 2 minutes



3M sticker for Wireless reader



Rip one side of the sticker



Stick it on the back of the reader



Rip the other side of the sticker



Stick the reader on the door

Packing & Delivery

Packaging and delivery Details:

Package: One piece in one box, 100 pieces in one carton

Port: Shenzhen or Hong Kong

Lead time: 3~7 days after the order confirmed

We are professional comprehensive security access control products supplier with 20 years experience, we make sure to offer the best solution of access control system solution! So, send your inquiry details in the below.

We are looking forward to forming successful business relationships with new clients around the world in the future.



Shipping Way

We are one of the leading exporter of RFID products in China since 2000 years . With rich international trade experience we know the international shipping very well , We know which express or air/sea line is cheap and safe to your country . We can supply various certificate for you to

clean your custom to such as CO , FTA , Form F , Form E ...Ect . We wil provide our professional suggestion for your shipping . EXW , FOB , FCT , CIF , CFR ...trade term are ok for us . We can be your reliable partner for products and shipping .

You May Like





ACM26X RFID Card Reader

125Khz wiegand 26 /34 Card Reader,
Size:115mm×75.5mm×16.8mm

ACM26G RFID Card Reader

125Khz /13.56Mhz Reader
wiegand 26/34 /RS232

KR600E RFID reader

125KHz Proximity ID/ 13.56Mhz card
reader, Wiegand output 26bit





ACM-EMI-S RFID card

125Khz EM Proximity Card
Size 86*54mm

ACM-MF1 RFID Crad

MF1 1K Compatiable Card

ACM-ABS003 RFID Keyfob

125Khz EM/13.56Mhz/UHF Keyfob,
Color Optional:
Blue, Red,Black,Yellow, Grey,Green

You May Need

Complete Door Access Control Solution Provider



RFID Card



RFID Key fob



RFID Wristband



RFID Reader



Long Distance
UHF Reader



Access Control
Reader



Biometric Controller



RFID Controller



Door EM Lock

WHY CHOOSE US?

- **Long History & High Reputation**

Founded in 1999. Great Creativity Group dedicates in R&D, producing and sale of RFID products and Plastic Card. We own 12,000 square meters factory, 3000 square meters office and 8 branches so far.

- **Advanced Equipments & Ultimate Production Ability**

2 Modern high standard production lines with monthly output 30,000,000 pcs cards. Brand-new CTP machines and Germany Heidelberg offset printing machines. 10 sets of compounding machines.

- **Self R&D Customization**

Our company offering management application project, equipment application, scheme and personalized RFID end product.

- **Strict Quality Control**

Strict QC System from raw material to finished products. We have passed certified ISO9001, SGS, ROHS, EN-71, BV etc. We promise all products will be examined strictly and we ensure that the products we deliver to you with top quality.

ABOUT GOLDBRIDGE

As a one of leading manufacturer and exporter of RFID products in China, We have been in this field for 20 years already. We have rich production and exportation experience on RFID products. Our strength products are: rfid card, rfid Keyfob, rfid wristband, rfid tag and various rfid reader. We are also the access control solution provider.

[MORE >>](#)





ABOUT OUR FACTORY

Established in 1999, Shenzhen Goldbridge has witnessed the technological innovation from rfid card to rfid tag, the overall change of market products in the past 20 years, and registered "Shenzhen Goldbridge Industrial Co., Ltd." in 1999.

At present, Goldbridge has developed into a National High-Tech Enterprise, which is specialized in the integration of production, market and research. Starting from the PVC cards and RFID cards factory with only 66 workers, Goldbridge has accomplished the successful transition from traditional manufacturing industry to IOT technology enterprise (RFID technology development).



With the accumulation of dozens of software copyrights and utility new inventions and patents, Goldbridge has been rewarded as "National High-Tech Enterprise", "Shenzhen High-Tech Enterprise", and has become an integrated enterprise which focuses on research, production and market. Meanwhile, by adopting the "Military + School + Family" corporate culture concept, accompanied by the continuous innovation of business model and marketing model, plus the B2B, B2C platform and excellent sales team, Goldbridge sells its products all over the world.



Honers & Certificates



FAQ

Q Do you accept Trade Insurance ?

Yes of course, please click here to issue a trade insurance order.

A

Q Do you offer a customized sourcing service ?

A Yes please contact our sales team directly.

Q What format files shall we send for printing?

A Adobe illustrator would be best, cdr, Photoshop and PDF files are also OK.

Q How long is your warranty time?

A Function warranty time is 3years, printing warranty time is 1year.

You may negotiate with our sales team when ordering.

Q Do you own your own factory?

A Yes we have 3000 square meter workshop for RFID/NFC products.

Q Could I get the free sample for testing?

A Yes, in order to show our sincerity, we could support the free sample to you for testing..

Q Do you also supply OEM service?

A Yes, Since we keep professional manufactory with own moulding line and product line, so you could put your LOGO on our products to make them unique

ACM 海洋金桥
GOLDBRIDGE



SHENZHEN GOLDBRIDGE INDUSTRIAL CO.,LTD

Skype: Lily-jiang1206

Website: www.goldbridgesz.com

E-mail: sales@goldbridgesz.com

Whatsapp: [+86-13554918707](https://wa.me/8613554918707)

Add: Block A, Zhantao Technology Building,
Minzhi Avenue , Longhua District,
Shenzhen, China