

## Product Description

### **Outswinging Waterproof Door RFID Access Control System with Keypad ID Card for Card Access System**

Access control is focussed on controlling who has access, e.g. to an office or facility. This is typically achieved by restricting access by certain types of groups or access levels. With access control visitors, employees, executives, freelancers or employees can easily and securely access.

#### Features:

- > Metal case, backlit keypad
- > Waterproof, conforms to IP66
- > One relay, 1000 users (990 Normal Users + 10 Visitor Users)
- > 3 access modes: Card, PIN, Card + PIN
- > Card type: 125KHz EM card
- > PIN length: 4~6 digits
- > Anti-tamper alarm
- > With Doorbell for visitors
- > Remote Control for optional

C  
A  
S  
E  
H  
I  
P  
I  
N  
D  
U  
S  
T  
R  
Y  
S  
T  
A  
N  
D  
A  
R  
D  
P  
R  
O  
X  
I  
M  
I  
T  
Y  
C  
A  
R  
D  
W  
E  
E  
R  
P  
R  
O  
O  
F  
O  
F  
D  
E  
G  
R  
E  
E

U  
S  
E  
R  
D  
A  
P  
P  
E  
T  
N  
S  
Y  
9  
9  
N  
O  
R  
M  
A  
L  
U  
S  
E  
R  
S  
+  
1  
V  
I  
S  
I  
T  
O  
R  
U  
S  
E  
R  
S  
)

0  
P  
e  
s  
W  
D  
C  
n  
g  
V  
o  
l  
t  
a  
g  
e  
E  
s  
A  
k  
o  
u  
t  
p  
u  
t  
W  
C  
i  
R  
V  
H  
G  
%  
o  
l  
t  
a  
g  
e

**S**  
**B**  
**M**  
**A**  
i  
c  
e  
l  
e  
c  
t  
r  
i  
c  
i  
t  
y  
**A**  
**2**  
**A**  
r  
m  
o  
u  
t  
p  
u  
t

Inputs  
Short  
Circuit  
Protection  
Time  
Constant  
and  
Measurement  
Distance

A  
~~A~~  
B  
iC  
e  
n  
tC  
t  
e  
m  
p  
e  
r  
a  
t  
u  
r  
e  
D  
O  
S  
O  
A  
d  
p  
i  
n  
g  
A  
b  
h  
e  
)

W  
l  
e  
c  
h  
n  
g  
C  
o  
h  
n  
e  
k  
t  
E  
n  
t  
B  
u  
t  
t  
o  
n  
,  
E  
x  
t  
e  
r  
n  
a  
l  
A  
l  
a  
r  
m  
,  
E  
x  
t  
e  
r  
n  
a  
l  
r  
e  
a  
d  
e  
r





1 Relay, 1000 Users  
(990 normal users +  
10 visitor users)

With 2pcs Remote Control  
for optional

Backlit Keypad  
Multi-color LED status display  
Doorbell for the visitors

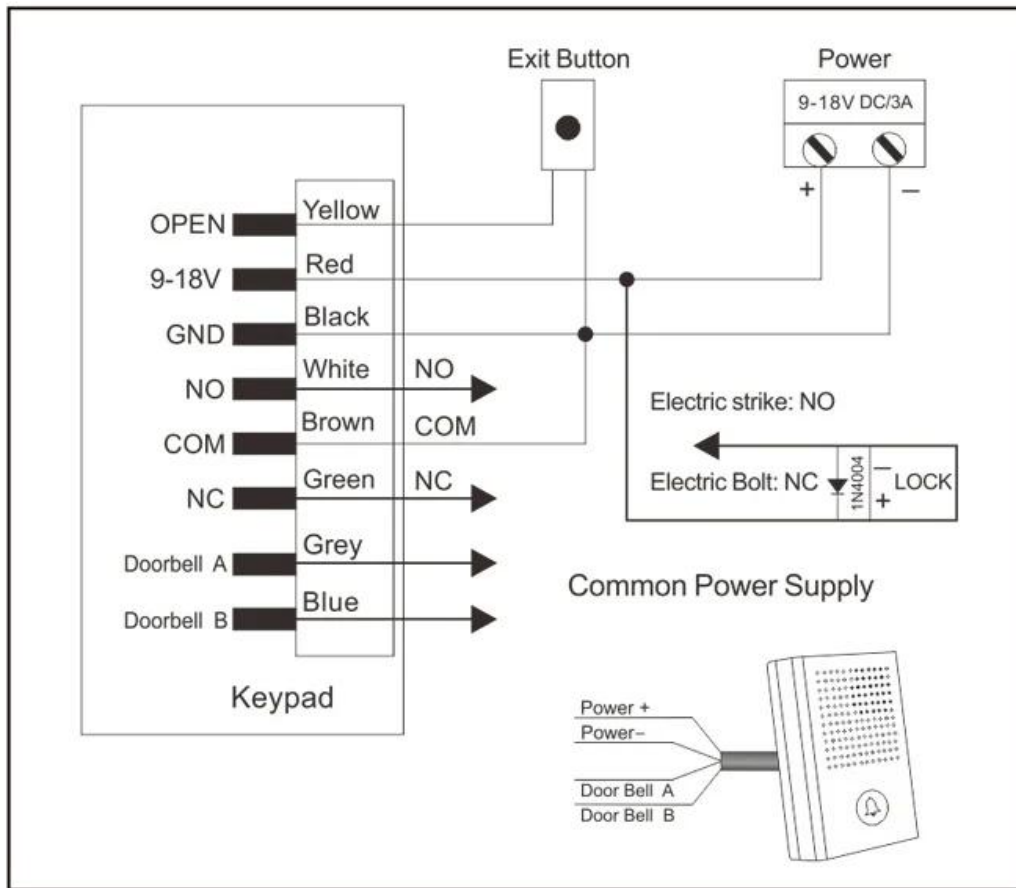


Waterproof, conforms to IP66

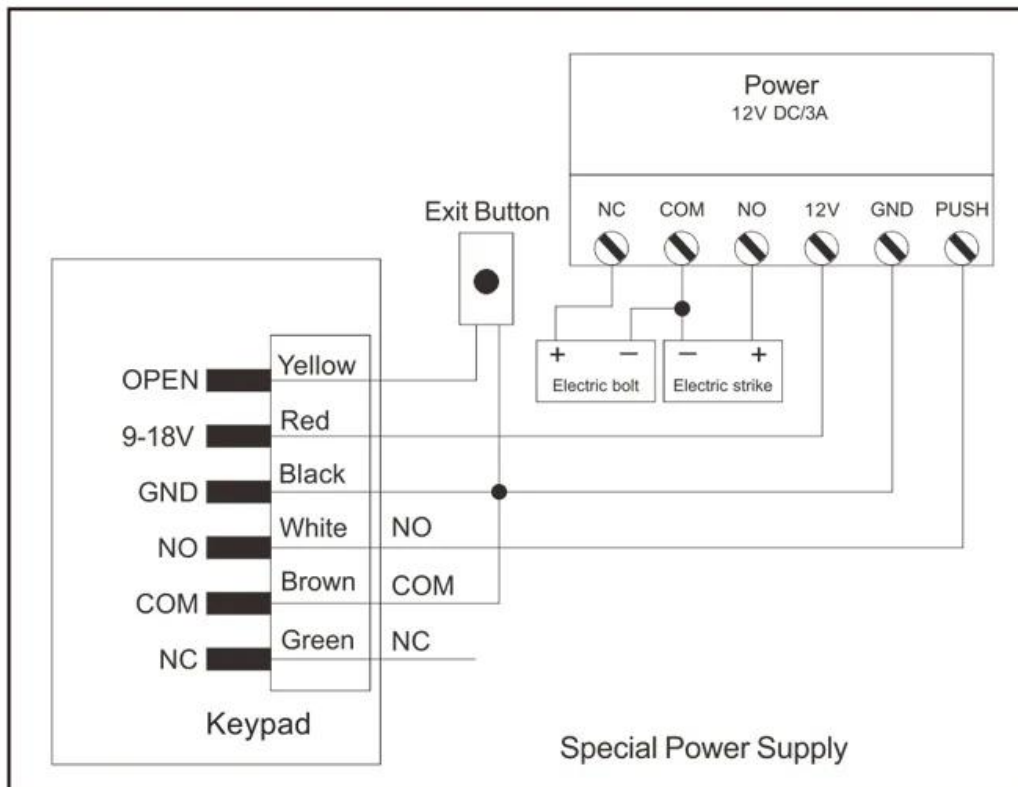
Anti-Tamper Alarm

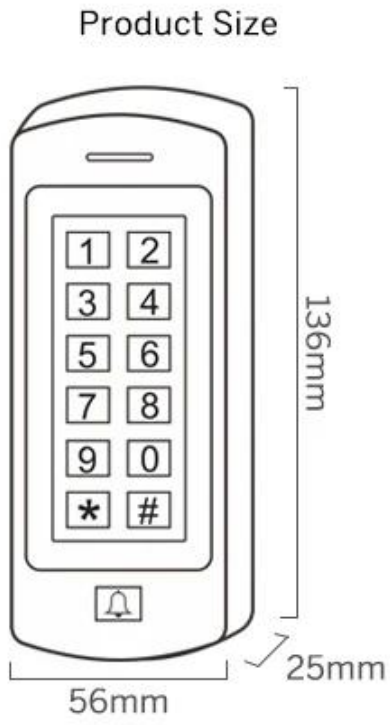


## Common Power Supply



## Special Power Supply





We are Professional Access Control Manufacturer, We have Full System for Access Control Product as below:





### **ACM223**

Touch Keypad RFID & Keypad Access Control , 125Khz EM 1000/4000 User capacity

### **ACM209-NW**

Keypad Metal RFID Single door AccessControl (Non-waterproof), 125Khz EM

### **ACM208**

Waterproof RFID Single door Access Control and Reader



### **ACM210**

Metal RFID Single door Access Control  
(Non-waterproof)

### **ACM225**

Touch Keypad RFID Access  
Control, 125Khz EM, Can connect  
wiegand reader

### **ACM211B**

Touch Keypad Metal case Waterproof

RFID Access Control, Can connect  
wiegand reader

## Our Service

- 1, Any inquires will be replied within 24 hours
- 2, Professional manufacturer and supplier, Welcome to visit our website and our factory
- 3, OEM/ODM Available
- 4, High quality, fashin desing, reasonable & competitive price, fast lead time
- 5, After-sale Service :
  - 1), All products will have been strictly quality checked in house before packing
  - 2), All products will be well packed before shipping
  - 3), All our products have 2-3 year warranty if the damage is not caused by human
- 6, Faster delivery : Around 1~ 5 days for sample order, 7~30 days for bulk order
- 7, Payment : You can pay for the order via : T/T, Western Union, Paypal, Ali trade assurance
- 8, Shipping: We have strong cooperation with DHL, FEDEX, TNT, UPS, EMS, Forwarder by SEA and By AIR, You also can choose your own shipping forwarder.

## FAQ

### **Q: 1. How can I place an order?**

A: Please list your requirement to us via mail. Then we will send the offer to you at earliest time,after order confirmation, we will arrange production ASAP.

### **Q: 2.What about the payment and shipment?**

A: Trade Assurance and T/T ,Paypal, Western Union.  
Clients can choose by sea, air or express(DHL, FedEx, TNT UPS etc.)

### **Q: 3. How can i get a sample to check your quality?**

A:We could provide free sample to you, and the freight cost payed by you.

### **Q:4. How long can I expect to get the samples?**

A: It depends on the quantity. Normally 3-7 days for 5000pcs and 7-15 days for 100,000pcs

### **Q:5. Can your products be customized?**

A: Almost all of your products are customized ,including the materia, size, thickness and printing.  
OEM orders are highly welcome.

### **Q:6.Are you a trading company or factory?**

We are the one of the biggest manufacturer of RFID cards/NFC tags/RFID keybod /RFID wristband,rfid reader and access control products in China more than 20 years.

