

Product Description

Product Application

WBK-400-1-12 is the remote control dedicate to Access Control .with metal transmitter for access control .The Transmitting Distance is $\leq 50\text{m}$ (in the open area).It can be Embedded in the wall easily and be controlled sensitively. What's more, it adopts the roll code chip to prevent falsity.

6
2
I
D
X
4
m
3
e
p
5
W
i
x
3
H
S
(
m
m
)
1
2
V
D
C
(
2
4
V
D
P
h
t
O
p
t
i
o
n
a
l
)

T
r
a
n
s
p
o
r
t
s
M
H
C
H
r
e
q
u
i
r
e
d
a
c
c
e
s
s
a
b
l
e
f
o
r
l
l
T
K
a
m
e
m
b
e
r
s
i
n
t
h
e
e
n
g
l
i
s
h
a
t
a
t
e
a
r
e

Verification Code Using Achieves Anti-Counterfeiting
REMOTE CONTROLLER FOR ACCESS CONTROL
Concentration, Profession, High quality



**WBK-400-1-12 is the remote control dedicate to Access Control .with metal transmitter for access control .
The Transmitting Distance is $\leq 50\text{m}$ (in the open area).**

01

EFFICIENT CONNECTION

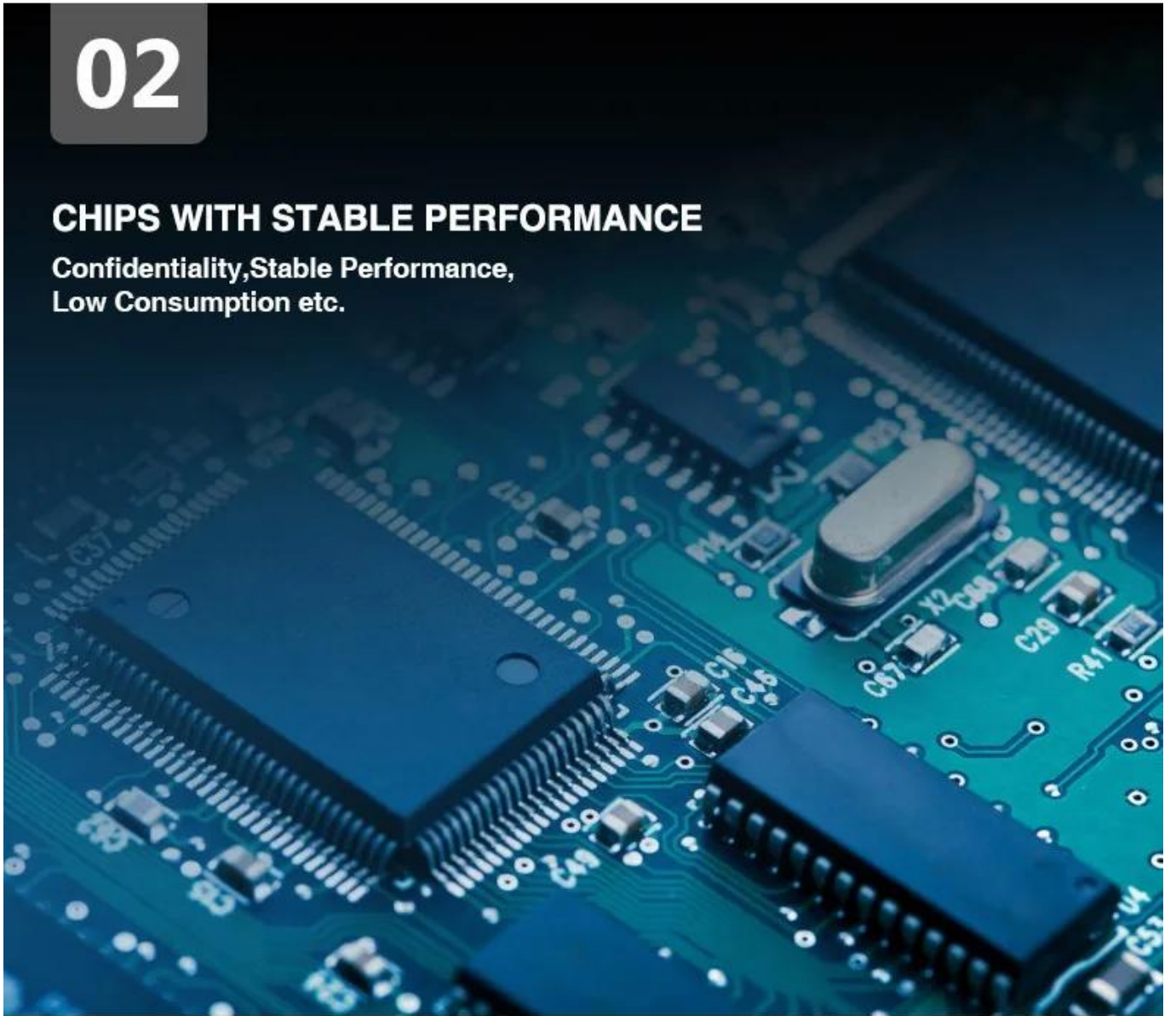
Remote Transmission, Signal reaches
in 50m(Barrier Free Area)



02

CHIPS WITH STABLE PERFORMANCE

Confidentiality, Stable Performance,
Low Consumption etc.



03

EASY OPENING

No Need To Take Your Keys, Your Phone Can Achieve Unlocking Your Door



HIGH QUALITY,HIGHLIGHT OUR STRENGTHS



Sandblasted&Pressure casting

Advanced Manufacturing
Process&Wearproof Material

Metal Transmitter

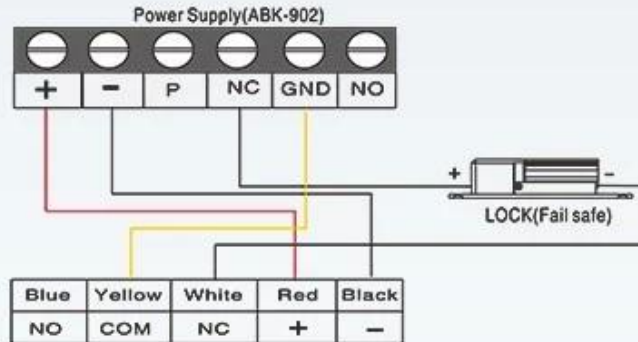
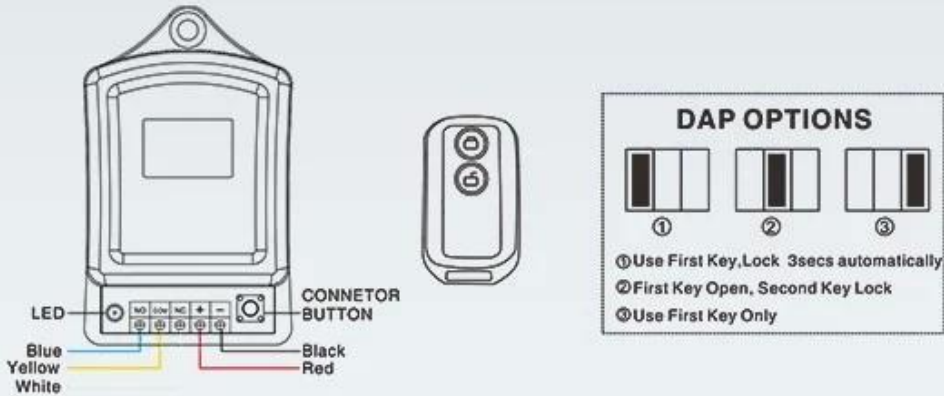
Exquisite&Fashionable



Easy Operation

Self-Learning Function,
Verification Codes Achieve
Anti-Counterfeiting Function

Wiring Diagram



Shipping Way

We are one of the leading exporter of RFID products in China since 2000 years . With rich international trade

experience we know the international shipping very well , We know which express or air/sea line is cheap and safe to your country . We can supply various certificate for you to clean your custom to such as CO , FTA , Form F , Form E ...Ect . We wil provide our professional suggestion for your shipping . EXW , FOB , FCT , CIF , CFR ...trade term are ok for us . We can be your reliable partner for products and shipping .

Your May Need

We can supply many kinds of door switches . Touch , No touch , glass break ,key switch. Click above photo to find more detail .Or feel free to send us enquiry to ask the price list .





No touch Door Release Exit Button
K2B: 86*86mm

No touch Door Release Exit Sensor
K9A: 115*40mm

Door Release Button , (Stainless
Steel, NO/NC)K5B: 86*86mm





Door Release Button , (Steel
Aluminium, NO), K4B: 86*86mm

stainless steel High quality Kirsite.
K14B: 86*86mm

Stainless steel Door release PUSH
button; K815B: 86*86mm

Our Service

1, Any inquires will be replied within 24 hours

- 2, Professional manufacturer and supplier, Welcome to visit our website and our factory
- 3, OEM/ODM Available
- 4, High quality, fashion desing, reasonable & competitive price, fast lead time
- 5, After-sale Service :
 - 1), All products will have been strictly quality checked in house before packing
 - 2), All products will be well packed before shipping
 - 3), All our products have 2-3 year warranty if the damage is not caused by human
 - 6, Faster delivery : Around 1~ 5 days for sample order, 7~30 days for bulk order
 - 7, Payment : You can pay for the order via : T/T, Western Union, Paypal
 - 8, Shipping: We have strong cooperation with DHL, FEDEX, TNT, UPS, EMS, Forwarder by SEA and By AIR, You also can choose your own shipping forwarder.

FAQ

Q: 1. How can I place an order?

A: Please list your requirement to us via Email. Then we will send the offer to you at earliest time,after order confirmation, we will arrange production ASAP.

Q: 2.What about the payment and shipment?

A: T/T ,Paypal, Western Union.

Clients can choose by sea, air or express(DHL, FedEx, TNT UPS etc.)

Q: 3. How can i get a sample to check your quality?

A:We could provide free sample to you, and the freight cost payed by you.

Q:4. How long can I expect to get the samples?

A: It depends on the quantity. Normally 3-7 days for 5000pcs and 7-15 days for 100,000pcs

Q:5. Can your products be customized?

A: Almost all of your products are customized ,including the materia, size, thickness and printing. OEM orders are highly welcome.

Q:6.Are you a trading company or factory?

We are the one of the biggest manufacturer of RFID cards/NFC tags/RFID keybod /RFID wristband□rfid reader and access control products in China more than 20 years.