

## Product Description

### **Wiegand Touch-Screen Waterproof security door lock access card systems RFID Card Keypad Reader Standalone Access Control system**

It is a widely used access control system entrances and exits at offices, factories, hotels, schools and other



P  
a  
d  
m  
e  
t  
e  
r  
i  
a  
n  
D  
e  
m  
e  
t  
e  
r  
p  
t  
i  
o  
n  
P  
o  
w  
e  
r  
C  
e  
n  
t  
r  
a  
l  
P  
l  
a  
n  
e  
:  
W  
G  
2  
6  
3  
4  
i  
n  
t  
e  
r  
f  
a  
c  
e  
S  
1  
3  
E  
7  
x  
2  
m  
m

W  
W  
E  
@  
6  
h  
d  
4  
i  
n  
p  
u  
t  
a  
n  
d  
o  
u  
t  
p  
u  
t  
p  
o  
r  
t  
U  
@  
e  
r  
c  
a  
p  
a  
c  
i  
t  
y  
E  
M  
f  
D  
t  
@  
p  
d

R  
%  
l  
@  
%  
R  
H  
e  
h  
u  
m  
i  
d  
i  
t  
y  
:  
P  
d  
s  
g  
w  
o  
P  
H  
N  
c  
o  
d  
e  
C  
o  
m  
p  
h  
r  
E  
M  
l  
@  
E  
a  
b  
d  
m  
h  
z  
s  
t  
a  
n  
d  
a  
r  
d  
c  
a  
r  
d

## Advantage

- 1.completely independent access control, directly through the keyboard to achieve password, card management and other functions.
- 2.supports Wiegand 26 output & input, can be used as a card reader.
- 3.support card, password, card with password three seed certification management.

4.reader sensor with high sensitivity, less than 0.1 seconds.

5.supports a password to open the door, stand-alone card capacity up to 8000.

6.high-quality stainless steel materials, with tamper alarm and door sensor alarm functions.

7.exit button and doorbell input function.

## Product Show

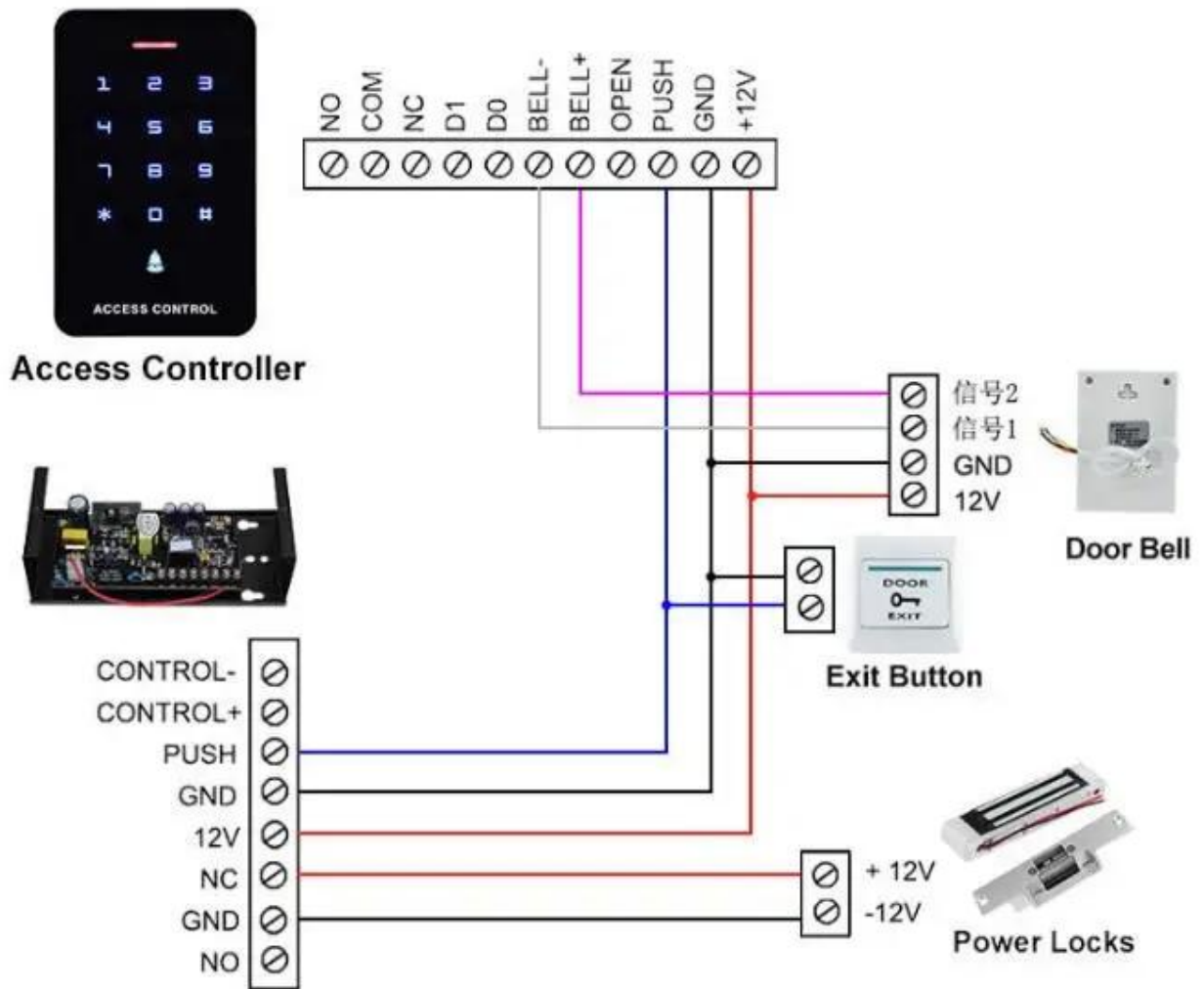
ACM226 Touch Screen Standalone Rfid Door Access Control Capacity of Cards 1000 Users with Keypad and LED Indicators





[Detailed Image](#)

Supports Wiegand 26/34 output, can be used as a card reader door access control



## Related Products

[Click here](#) to order and have your FREE SAMPLE in 3 days !!!

We are professional comprehensive security access control products supplier with 20 years experience, we make sure to offer the best solution of access control system solution! So, send your inquiry details in the below, click "Send" now!

We are looking forward to forming successful business relationships with new clients around the world in the future.





### **ACM223**

Touch Keypad RFID & Keypad Access Control, 125Khz EM 1000/4000 USer capacity



### **ACM208B**

Waterproof RFID Single door Access Control and Reader



### **ACM210-W**

Metal RFID Single door Access Control (Non-waterproof)



### **ACM-A10**

New Metal Standalone touch screen keypad rfid access control  
Silver / Red Bronze / Green Bronze / White Bronze / Golden



### **ACM-A20**

Touch Keypad RFID Access Control, 125Khz EM, Can connect wiegand reader



### **ACM-A30**

New Metal Standalone touch screen keypad rfid access control  
Silver / Red Bronze / Green Bronze / White Bronze / Golden



### **ACM-A40**

RFID EM Card + PIN Codesingle door access control



### **ACM-A60**

New Metal Standalone touch screen keypad rfid access control  
Silver / Red Bronze / Green Bronze / White Bronze / Golden



### **ACM-A88**

New Metal Standalone touch screen keypad rfid access control  
Silver / Red Bronze / Green Bronze / White Bronze / Golden

## You may need

Here is for Whole Solution Door Access Control You May Like

[Click here](#) to order and have your FREE SAMPLE in 3 days !!!

We are professional comprehensive security access control products supplier with 20 years experience, we make sure to offer the best solution of access control system solution! So, send your inquiry details in the below, click "Send" now!

We are looking forward to forming successful business relationships with new clients around the world in the future.



### **ACM-Y100S**

Electric Bolt Lock (5PIN) Fail safe  
electric bolt with magnetic feature



### **ACM-Y280**

280kg (600lbs) Single Door magnetic  
Lock Suitable For: Wooden Door,  
Glass Door, Metal Door, Fire Proof  
Door.



### ACM-K2A / B

No touch Door Release Exit Sensor,  
K2A size: 115 × 70 × 25mm, K2B  
SIZE: 86 × 86 × 25mm



### ACM-Y806-3A

Backup Power Supply 12V 5A, can put  
battery inside



### ACM26X

125Khz Wiegand 26/34 Reader, Size:  
115mm × 75.5mm × 16.8mm



## **ACM-EMI-S**

125Khz EM Proximity Card

## **Our Service**

### **Our Service**

1. Any inquiries will be replied within 24 hours
2. Professional manufacturer and supplier, Welcome to visit our website and our factory
3. OEM / ODM Available
4. High quality, fashion desing, reasonable & competitive price, fast lead time
5. After-sale Service:
  - A: All products will have been strictly quality checked in house before packing
  - B: All products will be well packed before shipping
  - C: All our products have 2-3 year warranty if the damage is not caused by human
6. Faster delivery: Around 1 ~ 5 days for sample order, 7 ~ 30 days for bulk order
7. Payment: You can pay for the order via: T / T, Western Union, Paypal, Ali trade assurance
8. Shipping: We have strong cooperation with DHL, FEDEX, TNT, UPS, EMS, Forwarder by SEA and By AIR, You also can choose your own shipping forwarder.

### **Quality Warranty**

- Warranty Service will be honored if the damage is not caused by human, ACM Goldbridge provides 2 years warranty for relative products.
- On the contrary, ACM Goldbridge will cahрге extra if repair.
- More information, please browse our service center.