

## Product Description



### **12V 60W Waterproof IP67 Electronic LED Driver**

1. High-reliability Special drive power for LED street lights, installed at high altitude, with waterproof aluminium shell drive power supply
2. High efficiency LED is an energy-saving product, and the efficiency of driving power supply is high.
3. High power factor is the grid's load requirements.
4. Drive mode There are two types of traffic: one is a constant voltage source for multiple constant current sources, and each constant current source supplies power to each LED separately.

P  
a  
c  
e  
m  
e  
t  
r  
e  
a  
n  
d  
a  
m  
e  
r  
e  
p  
r  
i  
n  
t  
i  
o  
n  
D  
w  
e  
s  
t  
c  
h  
p  
m  
p  
n  
w  
r  
s  
u  
p  
p  
l  
y  
m  
o  
d  
u  
l  
e  
c  
b  
b  
o  
a  
r  
d  
a  
c  
2  
v  
e  
k  
k  
k  
a  
6  
S  
m  
z  
e  
A  
G  
p  
u  
s  
w  
b  
t  
6  
H  
e  
r  
p  
e  
i  
n  
L  
E  
D  
b  
a  
m  
p  
s  
s  
u  
c  
h  
a  
s  
L  
a  
m  
p  
p  
o  
s  
t  
r  
s  
t  
r  
e  
t  
l  
i  
a  
m  
p  
s  
s  
p  
o  
t  
l  
i  
g  
h  
t  
l  
e  
t  
c

W  
k  
e  
n  
v  
o  
k  
p  
a  
n  
g  
d  
e  
c  
o  
r  
e  
l  
a  
t  
i  
o  
n  
h  
e  
e  
o  
u  
t  
p  
u  
t  
v  
o  
l  
u  
n  
t  
a  
g  
e  
r  
e  
a  
c  
h  
e  
s  
l  
i  
g  
n  
o  
f  
t  
h  
e  
r  
a  
t  
t  
e  
n  
d  
v  
o  
l  
u  
n  
t  
a  
g  
e  
T  
h  
e  
i  
n  
t  
e  
r  
n  
a  
t  
i  
o  
n  
a  
l  
c  
o  
m  
p  
o  
n  
e  
n  
t  
s  
o  
f  
t  
h  
e  
p  
r  
o  
d  
u  
c  
t  
b  
r  
e  
a  
k  
d  
o  
w  
n  
a  
n  
d  
t  
h  
e  
r  
e  
i  
s  
n  
o  
o  
u  
t  
p  
u  
t  
t  
h  
u  
s  
p  
r  
o  
t  
e  
c  
t  
i  
n  
g  
t  
h  
e  
s  
e  
x  
t  
e  
r  
n  
a  
l  
e  
q  
u  
i  
p  
m  
e  
n  
t

W  
h  
e  
n  
t  
h  
e  
c  
o  
n  
t  
e  
n  
t  
p  
u  
t  
p  
r  
e  
s  
e  
n  
t  
i  
o  
n  
r  
e  
c  
u  
r  
d  
i  
n  
g  
d  
e  
t  
a  
i  
l  
e  
d  
p  
r  
o  
d  
u  
c  
t  
i  
s  
p  
r  
o  
t  
e  
c  
t  
e  
d  
a  
n  
d  
t  
h  
e  
i  
m  
p  
u  
t  
m  
o  
d  
e  
l  
i  
s  
s  
i  
s  
t  
h  
a  
n  
d  
W  
e  
n  
c  
h  
e  
r  
e  
a  
r  
e  
n  
o  
r  
e  
c  
h  
e  
n  
s  
e  
A  
7  
5  
A  
p  
r  
o  
d  
u  
c  
t  
p  
r  
o  
t  
e  
c  
t  
i  
o  
n  
h  
a  
s  
n  
o  
o  
u  
t  
p  
u  
t

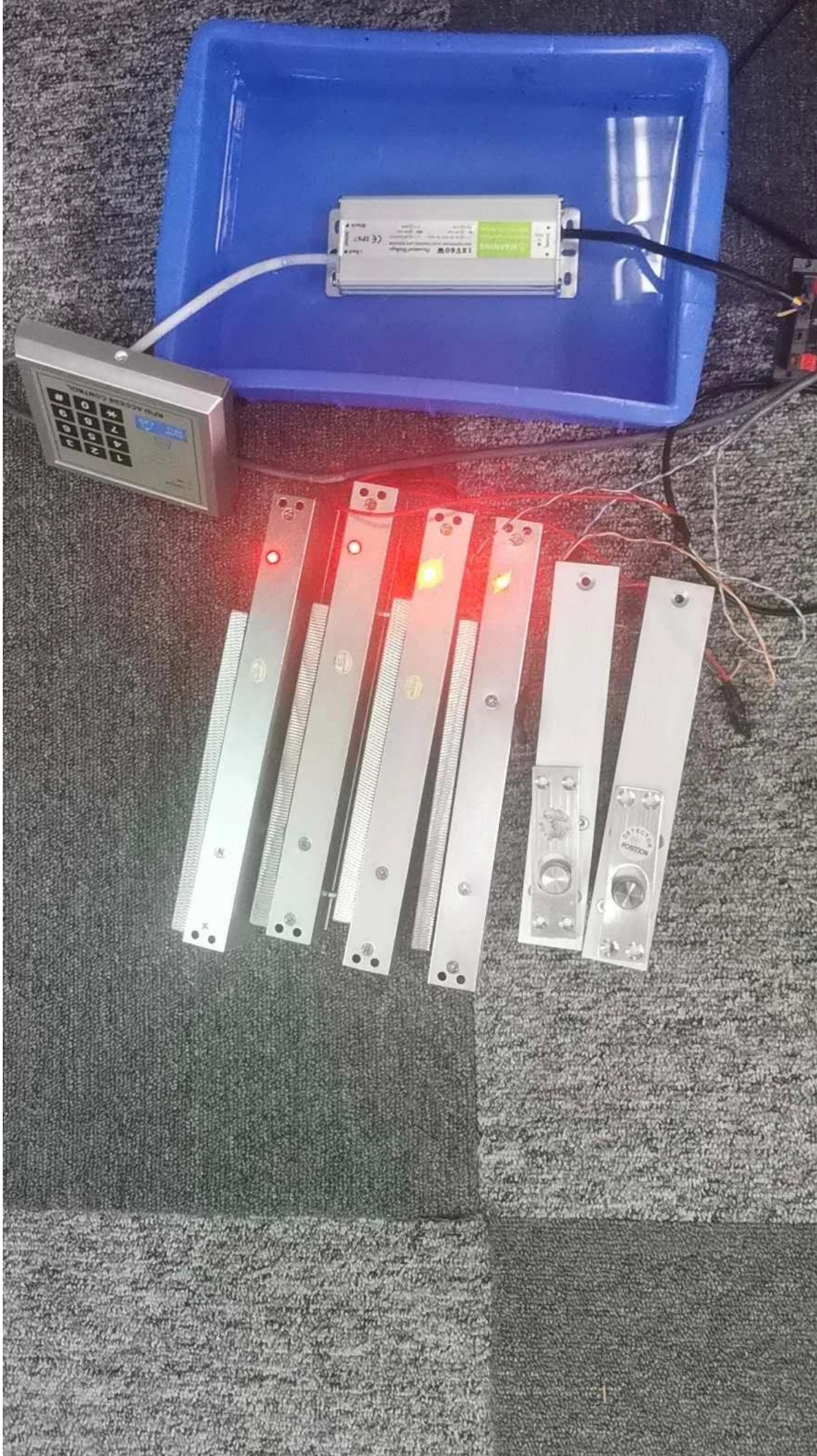
Detailed Images

Dimensions (mm)

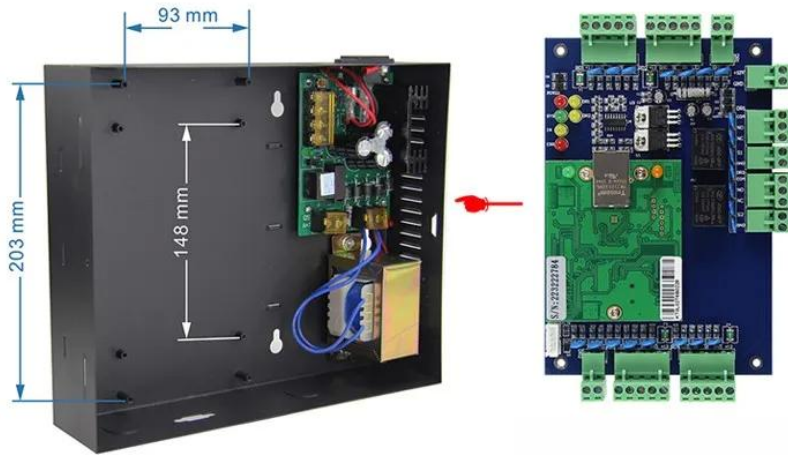
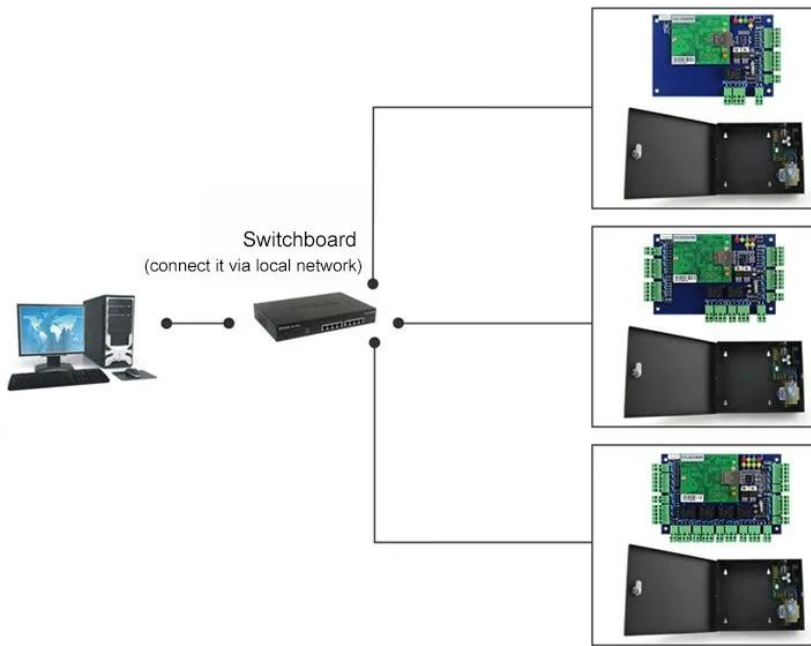


Short circuit/Over voltage/Over load  
Over heat Protection

60W-12V-5A-IP67

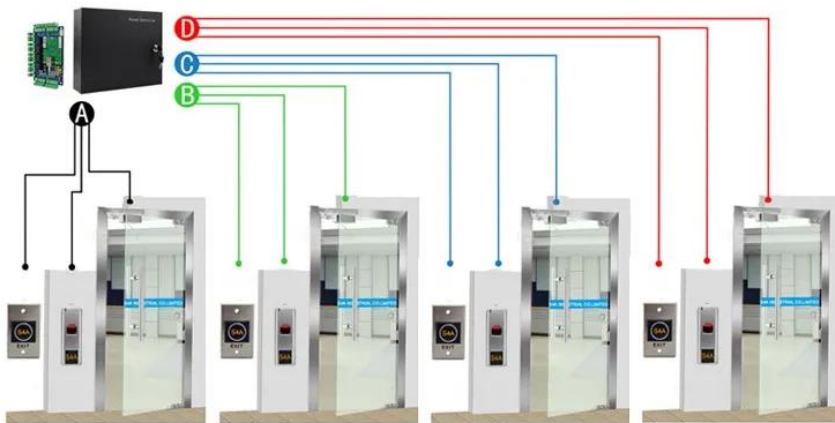


# Application



**Kindly remind:**

All network control board must configure with access power supply.  
1 board for 1 power supply



**ACM-WEG04**

Four doors 1 way: Control 4doors (Enter by Swipe cards and Exit by Push button)



## Scope of Application



Company



Hospital



Hotels



Logistics



Port



Financial



Government



Factory



Aviation



School

## Packing & Delivery

Every order we will check the quality firstly to ensure our customer get the best product. Our staff will pack it carefully to avoid the damage of transportation. We will ship every goods out as soon as possible.



**EXW**

**FCA FOB**

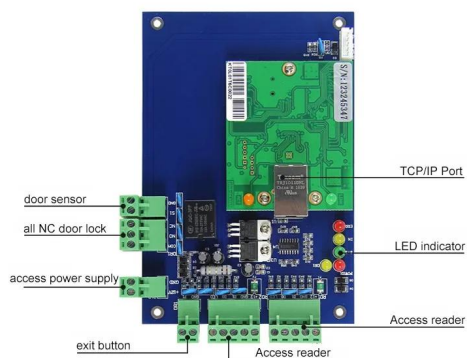
**CIF CFR**

### Shipping Way (Just for new customers reference )

We are one of the leading exporter of RFID products in China since 2000 years . With rich international trade experience we know the international shipping very well , We know which express or air/sea line is cheap and safe to your country . We can supply various certificate for you to clean your

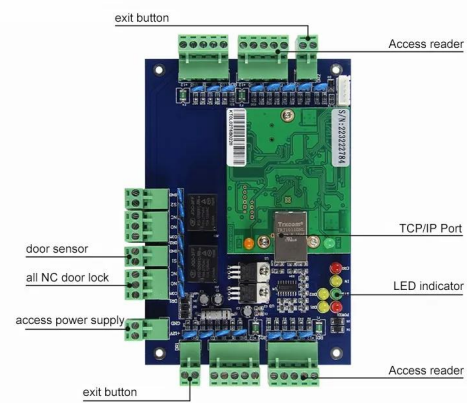
custom to such as CO , FTA , Form F , Form E ...Ect . We will provide our professional suggestion for your shipping . EXW , FOB , FCT , CIF , CFR ...trade term are ok for us . We can be your reliable partner for products and shipping .

## Related Products



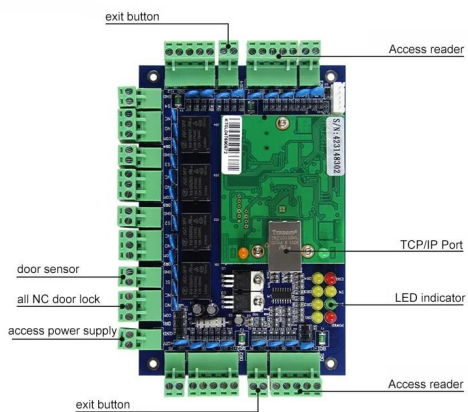
### **ACM-WEG01**

It can control 1 door.



### **ACM-WEG02**

It can control 2 door.



## ACM-WEG04

It can control 4 door.

### You May Like



## ACM-K2A/B

No touch Door Release Exit Button with led



## ACM-Y280

Surface mounted magnetic lock  
(280kg/600lbs)



**ACM-Y806-5A**

Power supply 5A for access control



**ACM225**

Touch Keypad RFID Access Control  
12khz



**ACM-210**

Metal Waterproof RFID Wiegand  
Access Control



## ACM26X

125Khz EM Card RFID Reader Size:  
115mm×75.5mm×16.8mm

## Our Company

### ACM Shenzhen Goldbridge industrial company

As a one of leading exporter of RFID products in China , we have been in this field for 20 years already . We have rich production and exportation experience on RFID products . Our strength products are : RFID card , RFID keyfob , RFID wristband , RFID tag and various RFID reader . We are also the access control solution provider.



## Our Service

### Your satisfactory is our goal.

- 1.Any inquires will be replied within 24 hours
  2. Professional manufacturer and supplier, Welcome to visit our website and our factory
  - 3.OEM/ODM Available
  4. High quality, fashin desing, reasonable & competitive price, fast lead time
  - 5.After-sale Service :
- A:All products will have been strictly quality checked in house before packing

B: All products will be well packed before shipping

C:All our products have 2-3 year warranty if the damage is not caused by human

6. Faster delivery : Around 1~ 5 days for sample order, 7~30 days for bulk order

7. Payment : You can pay for the order via : T/T, Western Union, Paypal, Ali trade assurance

8.Shipping: We have strong cooperation with DHL, FEDEX, TNT, UPS, EMS, Forwarder by SEA and By AIR,  
You also can choose your own shipping forwarder.

### **Quality Warranty**

1.Warranty Service will be honored if the damage is not caused by human, ACM Goldbridge provides 2 years warranty for relative products.

2.On the contrary, ACM Goldbridge will charge extra if repair.

3. More information, please browse our service center.