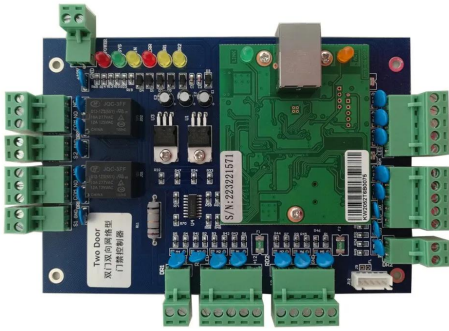


## Product Description



### **TCP/IP double door control board multi door access controller network door access control**

Access Control Panel provide the solution for powerful combinations of access control and alarm monitoring within off-line networks. The user-friendly Access software programs the system within a few minutes, from a non-dedicated PC.

P  
a  
P  
a  
m  
e  
t  
e  
t  
D  
e  
s  
a  
m  
e  
p  
e  
r  
o  
n





S  
o  
f  
t  
w  
a  
r  
e  
l  
i  
s  
t  
i  
n  
g  
u  
a  
g  
e  
M  
a  
x  
i  
m  
u  
m  
n  
u  
m  
b  
e  
r  
o  
f  
t  
h  
e  
s  
o  
f  
t  
w  
a  
r  
e  
p  
a  
c  
k  
a  
g  
e  
s  
s  
u  
p  
p  
o  
r  
t  
e  
d

Max D  
M

T  
M  
R  
k  
D  
P  
s  
D  
a  
p  
e  
n  
h  
e  
o  
w  
n  
e  
n  
C  
o  
n  
t  
r  
a  
c  
t  
e  
r  
a  
r  
e  
a



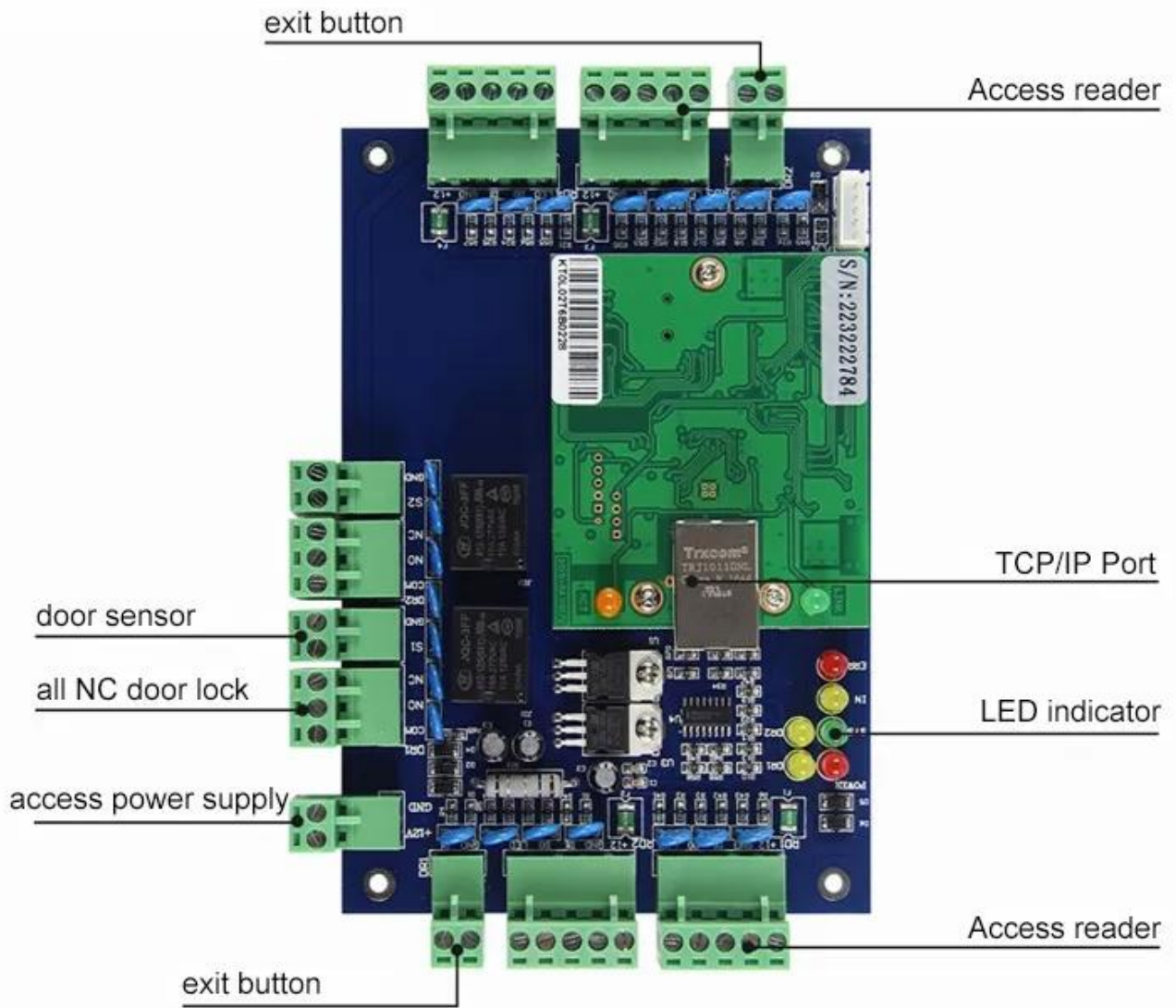
O  
p  
e  
n  
d  
O  
p  
e  
n  
n  
d  
o  
e  
m  
m  
e  
t  
r  
i  
c  
d  
i  
s  
t  
a  
n  
c  
e  
O  
p  
e  
n  
t  
o  
p  
r  
e  
s  
s  
i  
n  
g  
a  
l  
l  
a  
r  
m  
M  
u  
l  
t  
i  
x  
e  
s  
d  
o  
p  
e  
n



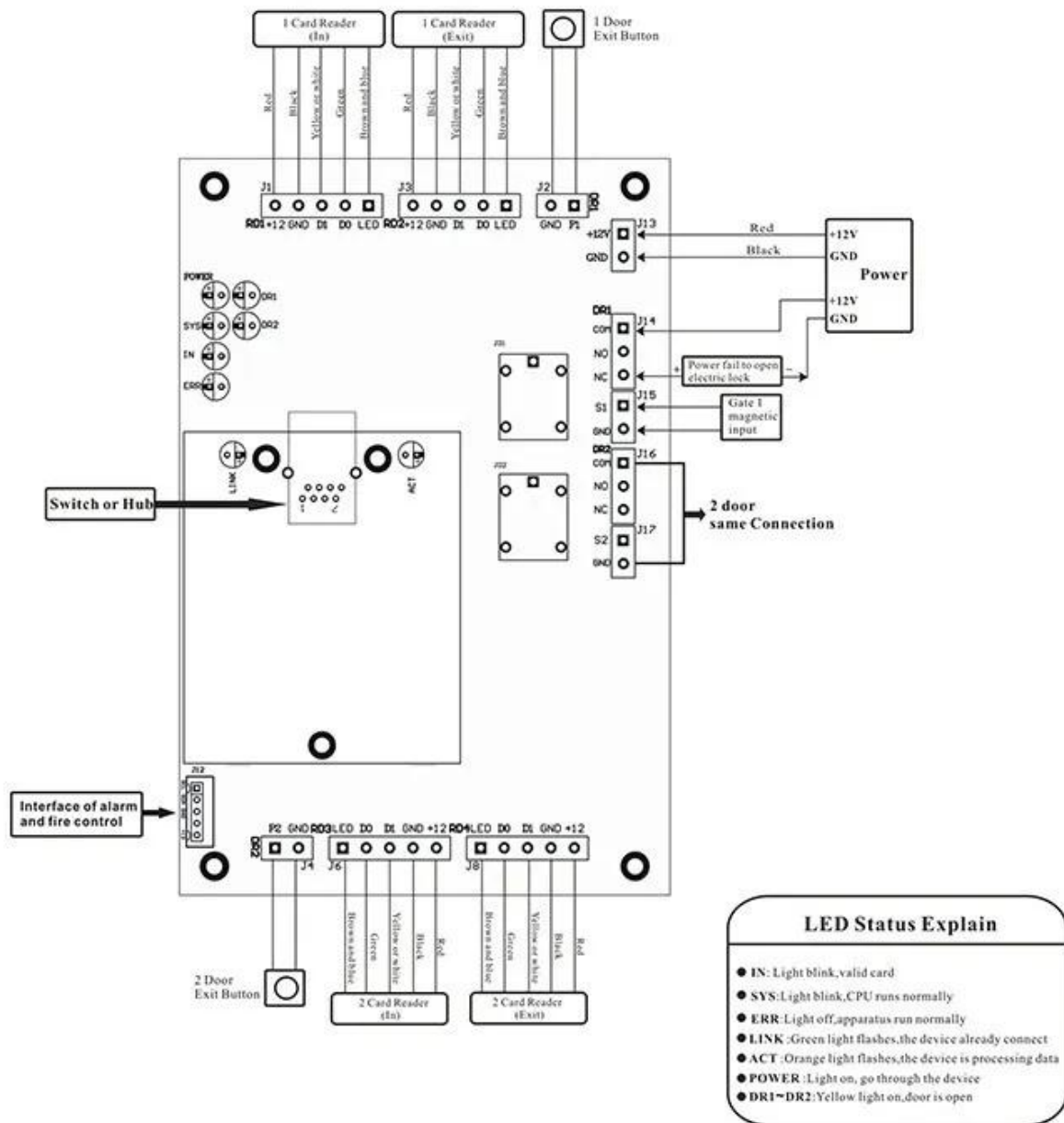
T  
i  
m  
i  
n  
g  
o  
o  
f  
e  
n  
o  
r  
c  
l  
o  
s  
e  
E  
m  
e  
r  
g  
e  
n  
c  
y  
p  
r  
o  
c  
e  
d  
u  
r  
e  
s  
s  
w  
o  
r  
d

## Detailed Images

This access control board's software provides numerous access control and alarm monitoring features: expiry date for clubs, automatic activation, time zones, supervision, anti-passback, activity reports... Each alarm input is programmable: operating mode (NO or NC), time zones, local reflex (activation of outputs according to input status). Specific alarms are triggered according to the number of unsuccessful attempts, the time limit for door closing (door alarm), the duress code...Whenever required, the data stored in the controllers is transferred to the computer and activity reports are printed. Each controller works independently and keeps its own database. Picture below is the design file for two doors access control panel.



# Double Door Access Controller Wiring Diagram (TCP/IP Communication)



Application

# Scope of Application



Company



Hospital



Hotels



Logistics



Port



Financial



Government



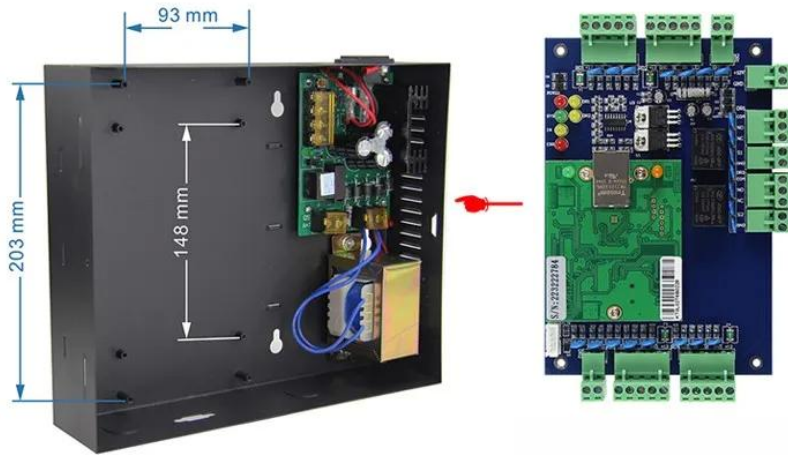
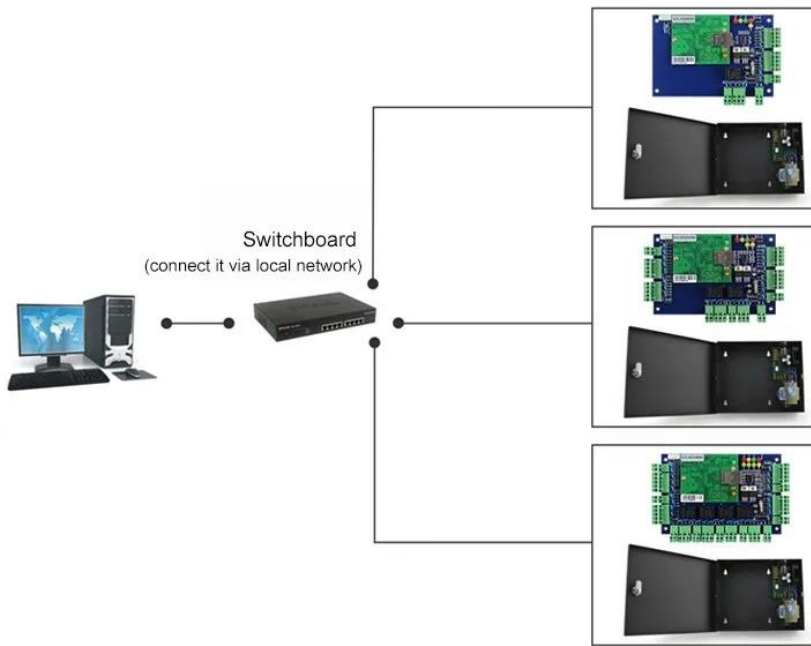
Factory



Aviation

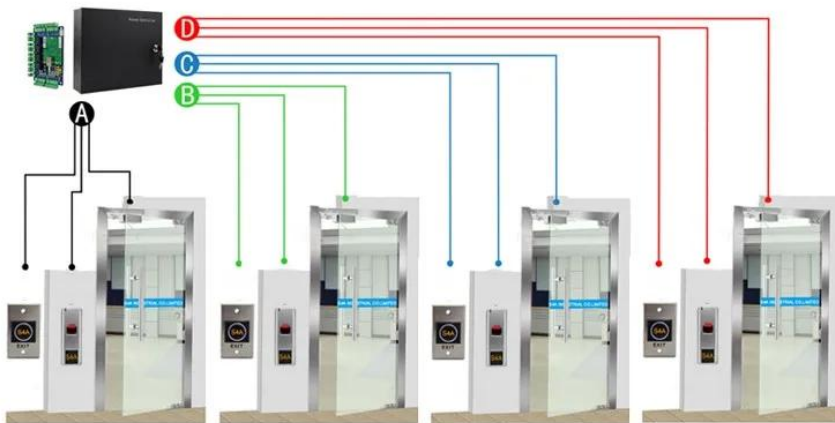


School



**Kindly remind:**

All network control board must configure with access power supply.  
1 board for 1 power supply



**ACM-WEG04**

Four doors 1 way: Control 4doors (Enter by Swipe cards and Exit by Push button)



## Packing & Delivery

Every order we will check the quality firstly to ensure our customer get the best product. Our staff will pack it carefully to avoid the damage of transportation. We will ship every goods out as soon as possible.



### Shipping Way (Just for new customers reference )

We are one of the leading exporter of RFID products in China since 2000 years . With rich international trade experience we know the international shipping very well , We know which express or air/sea line is cheap and safe to your country . We can supply various certificate for you to clean your custom to such as CO , FTA , Form F , Form E ...Ect . We wil provide our professional suggestion for your shipping . EXW , FOB , FCT , CIF , CFR ...trade term are ok for us . We can be your reliable partner for products and shipping .

## You May Like



**ACM-K2A/B**

No touch Door Release Exit Button with led

**ACM-Y180**

Surface mounted magnetic lock (180kg)

**ACM-Y806-5A**

Power supply 5A for access control





**ACM225**

Touch Keypad RFID Access Control  
12khz

**ACM-210**

Metal Waterproof RFID Wiegand  
Access Control

**ACM26X**

125Khz EM Card RFID Reader Size:  
115mm×75.5mm×16.8mm

## Our Service

- 1, Any inquiries will be replied within 24 hours
- 2, Professional manufacturer and supplier, Welcome to visit our website and our factory
- 3, OEM/ODM Available
- 4, High quality, fashion design, reasonable & competitive price, fast lead time
- 5, After-sale Service :
  - 1), All products will have been strictly quality checked in house before packing
  - 2), All products will be well packed before shipping
  - 3), All our products have 2-3 year warranty if the damage is not caused by human
- 6, Faster delivery : Around 1~ 5 days for sample order, 7~30 days for bulk order
- 7, Payment : You can pay for the order via : T/T, Western Union, Paypal, Ali trade assurance
- 8, Shipping: We have strong cooperation with DHL, FEDEX, TNT, UPS, EMS, Forwarder by SEA and By AIR, You also can choose your own shipping forwarder.

## FAQ

### **Q: 1. How can I place an order?**

A: Please list your requirements to us via mail. Then we will send the offer to you at the earliest time, after order confirmation, we will arrange production ASAP.

### **Q: 2. What about the payment and shipment?**

A: Trade Assurance and T/T, Paypal, Western Union.  
Clients can choose by sea, air or express (DHL, FedEx, TNT, UPS etc.)

### **Q: 3. How can I get a sample to check your quality?**

A: We could provide free samples to you, and the freight cost is paid by you.

### **Q: 4. How long can I expect to get the samples?**

A: It depends on the quantity. Normally 3-7 days for 5000 pcs and 7-15 days for 100,000 pcs

### **Q: 5. Can your products be customized?**

A: Almost all of our products are customized, including the material, size, thickness and printing. OEM orders are highly welcome.

### **Q: 6. Are you a trading company or factory?**

We are one of the biggest manufacturers of RFID cards/NFC tags/RFID keyfobs/RFID wristbands/RFID reader and access control products in China more than 20 years.