

Product Description



0
6
N
6
N
2
m
m
n
s
S
t
a
n
d
h
e
e
S
s
r
a
e
t
R
a
n
e
l
,
S
t
e
e
l
B
u
t
t
o
n

E
A
r
3
6
V
D
R
M
a
n
g
⊕
H
2
V
G
N
O
N
O
N
E
C
O
M
M
e
e
h
a
a
i
c
a
l
L
i
f
e

H
a
i
t
a
w
D
e
6
o
r
D
o
o
r
O
p
e

5
5
r
G
t
4
m
p
3
1
F
)
O
0
5
%
6
h
o
n
g
H
a
m
h
e
n
s
y
n
g
)

Detailed Images







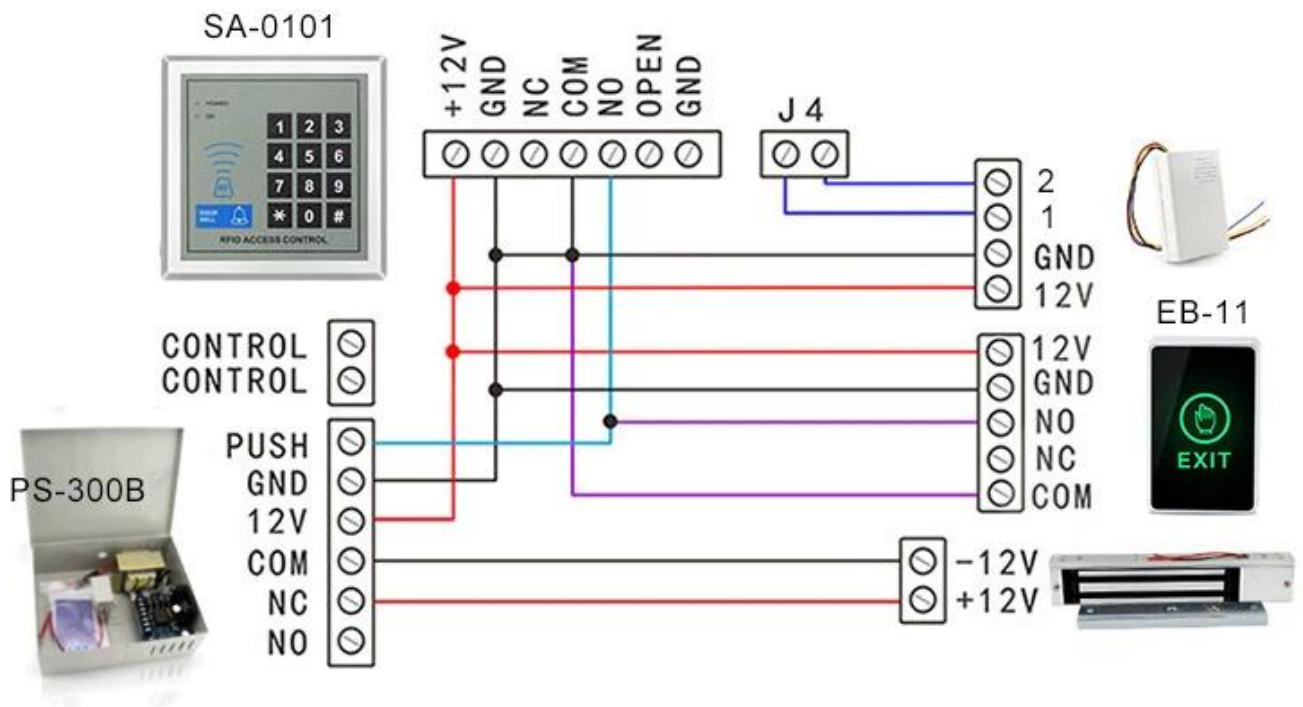
20mm



EXIT

50mm

86mm



Yours may need

We can supply many types of door switches. Touch, without touch, glass break, key switch. Click on the picture above to find more details. Or do not hesitate to send us a request to request the price list.



No tactile door output button

K2B: 86 * 86mm

No Touch door real output sensor

K9a: 115 * 40mm

Door release button (stainless steel,

NO / NC) K5B: 86 * 86mm





Door release button, (steel, aluminum, no), K4B: 86 * 86mm
High quality kiritis in stainless steel.
K14B: 86 * 86mm
Release button of the push door in stainless steel; K815B: 86 * 86mm

Our service

- 1, all requests will be answered within 24 hours
- 2, producer and professional supplier, welcome to visit our website and factory
- 3, OEM / ODM Available
- 4, high quality, Fashion design, reasonable and competitive price, quick delivery times
- 5, after-sales service:
 - 1), all products will have been rigorously controlled at home before packaging
 - 2), all products will be well packaged before shipment
 - 3), all our products have 2-3 years warranty if the damage is not caused by man
- 6, faster delivery : About 1 ~ 5 days for sample order, 7 ~ 30 days for bulk order
- 7, payment: You can pay for the order via: T / T, Western Union, Paypal
- 8, shipping: We have a strong collaboration with DHL, Fedex, TNT, UPS, EMS, shipper by sea and by air, you can also choose your own Stilyer.

Faq

Q: 1. How can I place an order?

A: Please indicate your needs via e-mail. So we will send you the offer as soon as possible, after your order has been confirmed, we will organize production as soon as possible.

Q: 2. What about payment and shipment?

A: T / T, Paypal, Western Union.

Customers can choose by sea, air or espresso (DHL, Fedex, TNT UPS etc.)

Q: 3. How can I get a sample to check the quality?

A: We could provide you with a free sample and the cost of the goods paid by you.

Q: 4. How long can I expect to get the samples?

A: It depends on the quantity. Normally 3-7 days for 5000 pieces and 7-15 days per 100,000 pieces

Q: 5. Can your products be customized?

A: Almost all your products are customized, including material, size, thickness and print. OEM orders are welcome.

Q: 6. Are you a commercial company or a factory?

We are one of the largest RFID card manufacturers / NFC tag / RFID keybodi / RFID tag, RFID reader and access control products in China for over 20 years.