

Product description

Touch Screen Proximity card Door Access control Reader Access control autonomous RFID

It is a widely used access control system that enters and exits offices, factories, hotels, schools and other public places. All inputs / outputs use anti-jamming protection and overvoltage / circuit protection



D
e
s
c
r
i
p
t
i
o
n
m
e
t
h
e
p
a
r
a
m
e
t
e
r
s
P
O
W
E
R
C
o
n
t
r
o
l
p
l
y
:
W
G
2
6
5
3
4
b
n
t
e
o
f
i
n
t
e
r
f
a
c
e

C
h
B
k
7
x
2
m
m
W
I
e
g
a
h
d
n
d
o
u
t
p
u
t
p
o
r
t
W
G
2
6
/
3
4
U
e
r
a
b
i
l
i
t
y
E
M
p
e
f
p
h
p
e
c
a
r
d

R
e
l
a
t
i
v
e
h
u
m
i
d
i
t
y
P
a
d
s
w
o
r
d
I
N
c
o
d
e

S
o
m
p
d
a
r
h
l
e
o
K
H
n
E
M
/
1
3
.
5
6
m
h
z
c
a
r
d
R
e
a
d
i
n
g
a
b
s
t
a
n
c
e
o
f
t
h
e
m
a
p
B
b
o
k

Benefit

- 1 completely independent access control, directly through the keyboard to reach passwords, card management and other functions.
2. Supports Wiegand 26 output and input, can be used as a card reader.
- 3.Supports card, password, card with password and three-seed certification management.
- 4.reader sensor with high sensitivity, less than 0.1 seconds.
5. supports a password to open the door, autonomous card capacity up to 8000.
6. High quality stainless steel materials, with tamper alarm and door sensor alarm functions.
7. Exit button and doorbell input function.

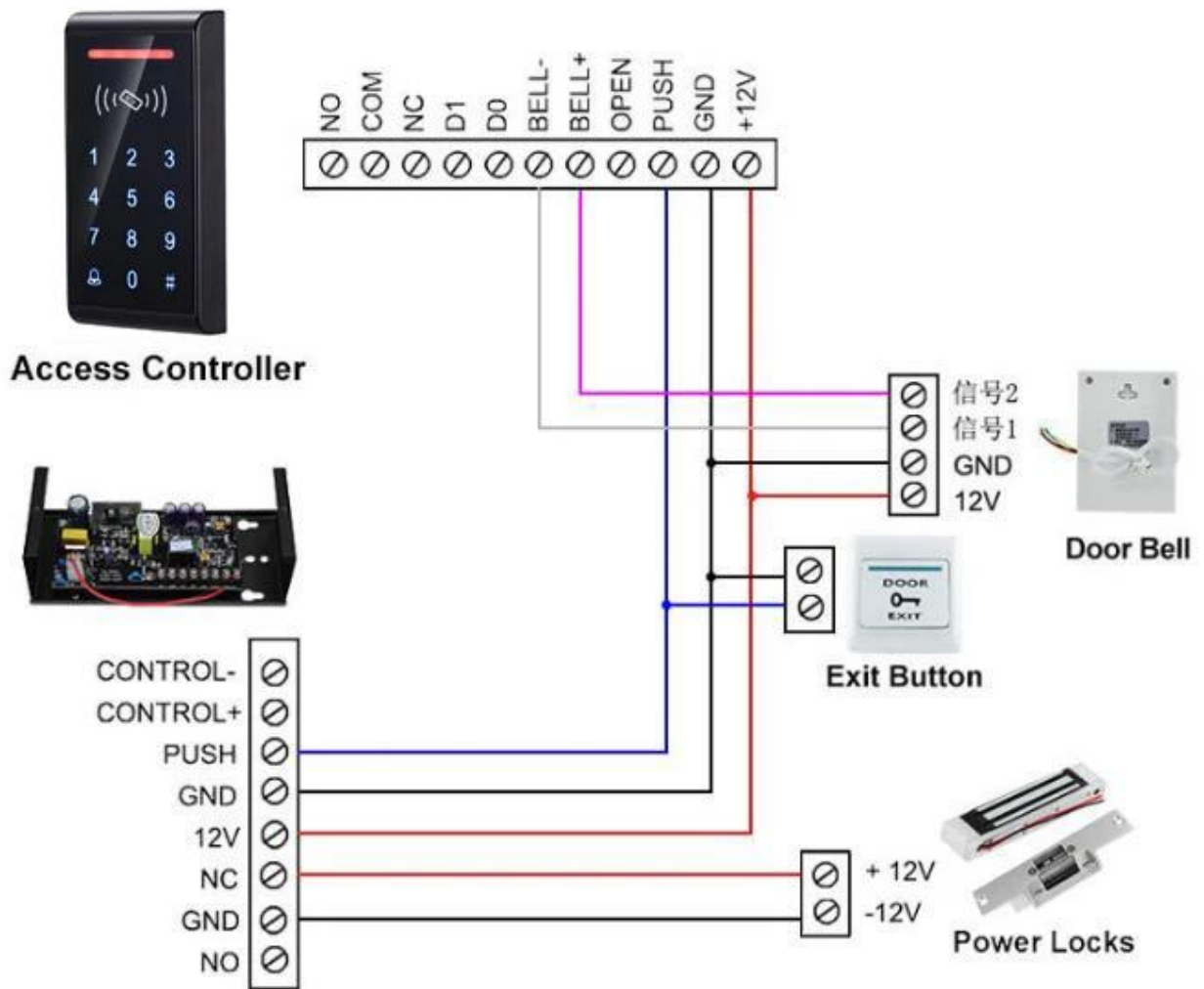
Product display





[Detailed image](#)

Supports Wiegand 26/34 output, can be used as access control to the card reader door



related products

[Click here](#) to order and have your FREE SAMPLE in 3 days !!!

We are a complete professional supplier of security access control products with 20 years of experience, we make sure to offer you the best access control system solution! Then, send the details of your request below, click "Submit" now!

We are looking forward to building successful business relationships with new customers around the world in the future.



ACM223

Touch RFID keypad and keypad access control, 125Khz EM 1000/4000 User capacity



ACM208B

RFID waterproof single door reader and access control



ACM210-W

RFID metal single door access control (not waterproof)



ACM-A10

New rfid access control standalone
metal touchscreen keypad
Silver / Red bronze / Green bronze /
White bronze / Gold



ACM-A20

Touch keypad RFID access control,
125Khz EM, Can connect the wiegand
reader



ACM-A30

New rfid access control standalone
metal touchscreen keypad
Silver / Red bronze / Green bronze /
White bronze / Gold



ACM-A40

EM RFID card + PIN code for single door access control



ACM-A60

New rfid access control standalone metal touchscreen keypad
Silver / Red bronze / Green bronze / White bronze / Gold



ACM-A88

New rfid access control standalone metal touchscreen keypad
Silver / Red bronze / Green bronze / White bronze / Gold

You may need

Here's for controlling access to the door of the whole solution you might like

[Click here](#) to order and have your FREE SAMPLE in 3 days !!!

We are a complete professional supplier of security access control products with 20 years of experience, we make sure to offer you the best access control system solution! Then, send the details of your request below, click "Submit" now!

We are looking forward to building successful business relationships with new customers around the world in the future.



ACM-Y100S

Electric Bolt Lock (5PIN) Fail-safe
electric bolt with magnetic function



ACM-Y280

280kg (600lbs) Magnetic lock for
single door suitable for: wooden door,
glass door, metal door, fireproof door.



ACM-K2A / B

Release output sensor for No Touch doors, dimensions K2A: 115 × 70 × 25 mm, DIMENSION K2B: 86 × 86 × 25 mm



ACM-Y806-3A

12V 5A backup power supply, can recharge the backup battery inside



ACM26X

125 kHz 26/34 Wiegand reader, dimensions: 115 mm × 75.5 mm × 16.8 mm



ACM-EMI-S

EM 125Khz proximity card

Our service

Our service

1. Any request will be answered within 24 hours
2. Professional manufacturer and supplier, welcome to visit our website and factory
3. OEM / ODM available
4. High quality, fashion desing, reasonable and competitive price, quick delivery time
5. after sales service:
 - A: All products will have been strictly checked in-house before packing
 - B: All the products will be well packed before shipping
 - C: All our products have a 2-3 year warranty if the damage is not caused by the human being
6. Faster delivery: about 1 ~ 5 days for sample order, 7 ~ 30 days for bulk order
7. Payment: you can pay for the order through: T / T, Western Union, Paypal, Ali commercial insurance
8. Shipping: we have a strong cooperation with DHL, FEDEX, TNT, UPS, EMS, forwarder by sea and by air, you can also choose your own forwarder.

Quality assurance

- The warranty service will be honored if the damage is not caused by the human being, ACM Goldbridge provides a 2 year warranty for the related products.
- On the contrary, ACM Goldbridge will further increase in case of repair.
- Further information, consult our service center.

Packaging and delivery



Shipping way

We work closely with DHL, FEDEX, TNT, UPS, EMS, forwarder of SEA and AIR
You can also choose your forwarder.

package

Keypad access control packaging: 1 unit per box, 100 pieces per carton,
Carton size: 45 * 31 * 28cm, Gross weight: 13kg.

Our company

ACM Shenzhen Goldbridge industrial company

As one of the leading exporters of RFID products in China, we have been present in this field for 20 years. We have rich experience in manufacturing and exporting RFID products. Our strength products are: RFID card, RFID remote control, RFID bracelet, RFID tag and various RFID readers. We are also the provider of access control solutions.



Contact

For any questions or requests please do not hesitate to let us know. We are confident that any information on your

part will receive our prompt attention and response. You can contact us through Alibaba online or offline. Our offline contact information is as follows.



SHENZHEN GOLDBRIDGE INDUSTRIAL CO., LTD

Address: Futian District, Shenzhen of China

Telephone: +86-755-83767678

Contact Person: Lily Jiang

WhatsApp and Mobile Phone: +86-13554918707

Skype: lily-jiang1206

E-mail: sales@goldbridgesz.com

Website: <http://www.goldbridgesz.com>