

# Product Description

## 1. Specifications

### 1.1 Technical parameters:

Card type(alternative)	EM Card (IC card for options)
Storage	4000 users
Operating voltage	DC12V $\pm$ 10%
Operating current	<100mA
Card reading distance	1~15CM
Ambient temperature	0°C~60°C
Relative humidity	20%~80%
Dimensions	115×80×24mm
Weight	110g

### 1.2 Factory Default:

Programming Password	123456
Common Access Password	None
Relay Unlock output	5 Seconds
Open mode	Card or Access Password Access Password include Private Access Password(PIN) and Common Access Password
Security mode	OFF
Backlight (For options)	Auto
W26 port (For options)	input

### 1.3 Light and Sound indicates:

Light: red and green

Light Description	indicates
Red light flash every 1 sec (Slow flash)	Standby state
Greenlight flash every 0.5sec (Fast flash)	Pending further action
Red light is always ON	Programming state
Greenlight is always ON within Open Time	Unlocking state

Sound: Buzz

Sound Description	Indicates
1 short buzz	Valid input
3 short buzz	Invalid input
1 long buzz	Programming success
Continuous long buzz	Restoring factory programming passwords

## 2. Installations Guide

Mark	Colour	Function
+12V	Red	Power+
GND	Black	Power-
PUSH	BLUE	Low-level output
OPEN	Yellow	Door Release
BEL+	Grey	BELL+
BEL-	Purple	BELL-
DATA	Green	WG DATA0
DATA1	White	WG DATA1

NC	Brown	Relay NC output
COM	Orange	Relay Com output
No	Pink	Relay NO output

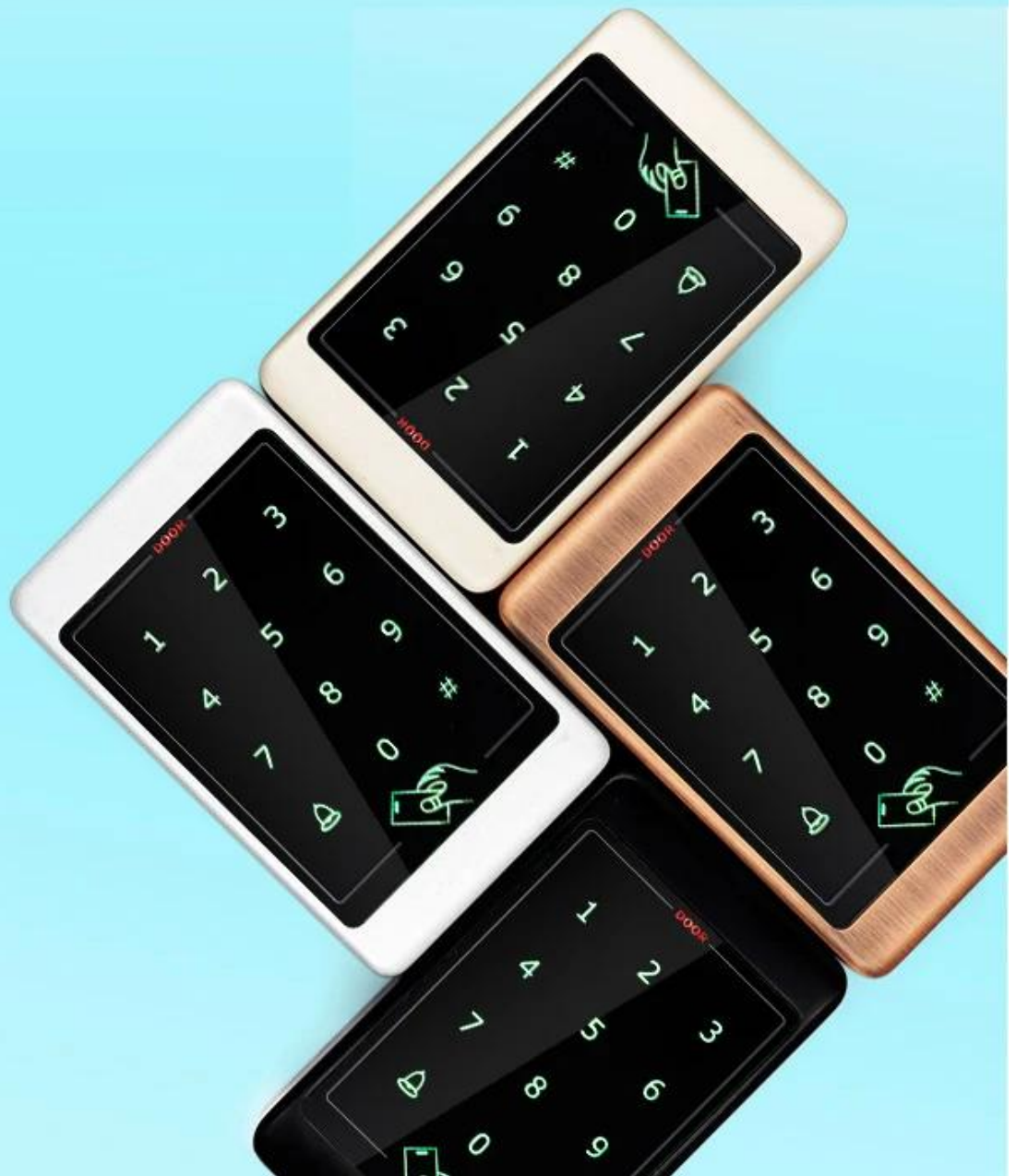
## Advantage

1. High-strength metal shell, brushed surface, beautiful appearance 2. Original imported smart chip 3. Fully sealed and potted with PC glue, sealing grade IP68

## Product Show

# Touch Metal access control

## 4 Colors & Waterproof option





### Power Sign

Red means Power Up  
Green means Unlock Success

### High Metal Shell

Drawing process  
Beautiful appearance

### Touch Panel



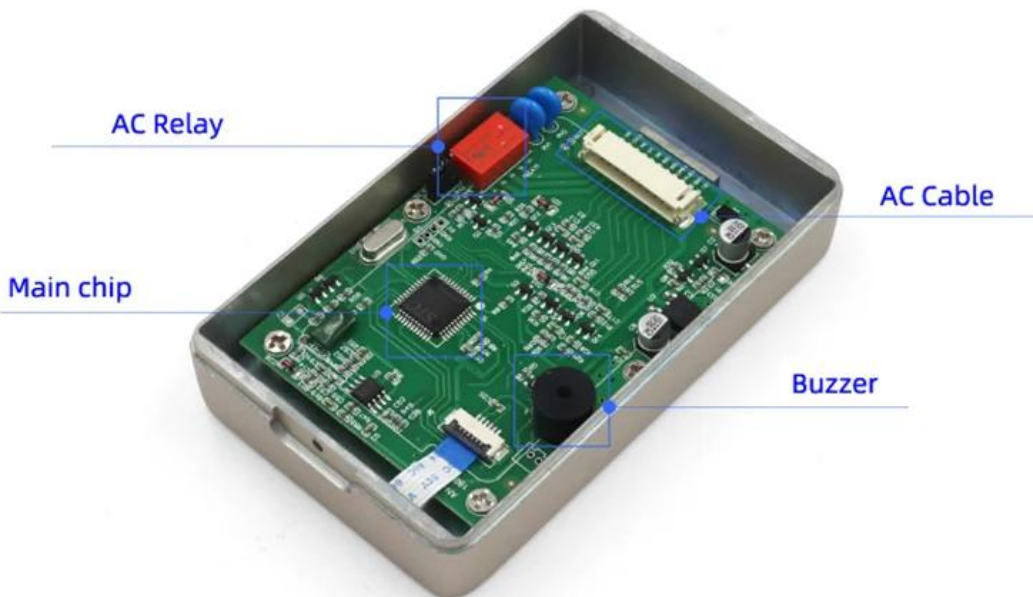
Touch type with backlight  
Good performance

### Doorbell Button

Include

### Card Unlock Icon

3 ways opening



### AC Relay

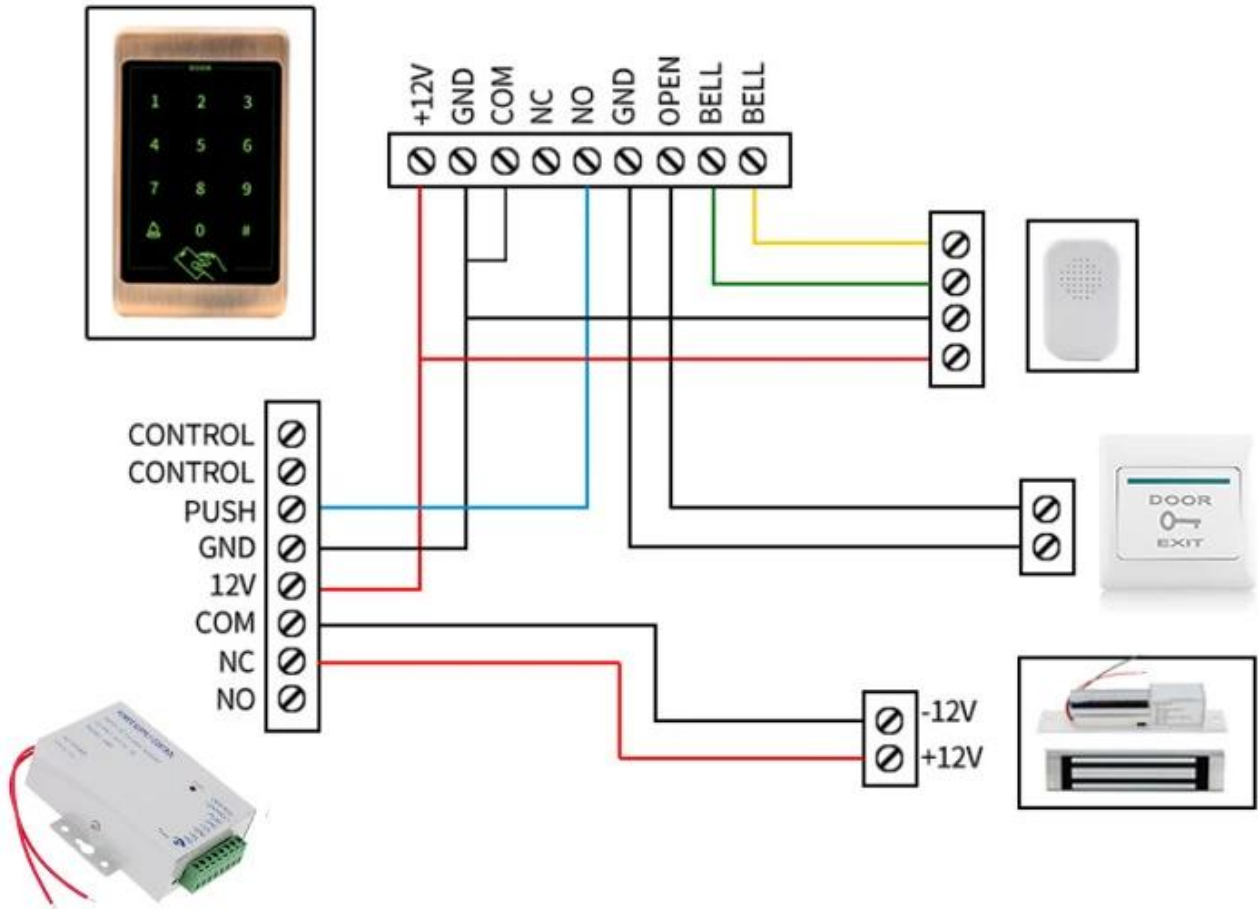
### AC Cable

### Main chip

### Buzzer

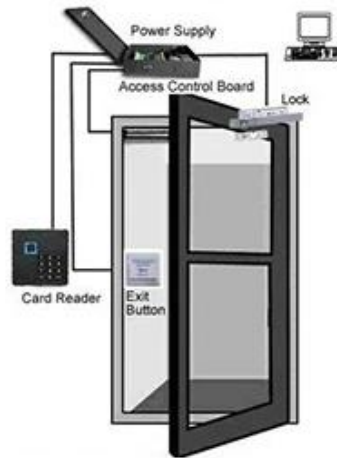


Application for Touch Keypad RFID & Keypad AccessControl , 125Khz EM1000 User Capacity



# You May Need

## Complete Door Access Control Solution Provider



RFID Card



RFID Key fob



RFID Wristband



RFID Reader



Long Distance  
UHF Reader



Access Control  
Reader



**Biometric Controller**



**RFID Controller**



**Door EM Lock**

## WHY CHOOSE US?

- **Long History & High Reputation**

Founded in 1999. Great Creativity Group dedicates in R&D, producing and sale of RFID products and Plastic Card. We own 12,000 square meters factory, 3000 square meters office and 8 branches so far.

- **Advanced Equipments & Ultimate Production Ability**

2 Modern high standard production lines with monthly output 30,000,000pcs cards. Brand-new CTP machines and Germany Heidelberg offset printing machines. 10 sets of compounding machines.

- **Self R&D Customization**

Our company offering management application project, equipment application, scheme and personalized RFID end product.

- **Strict Quality Control**

Strict QC System from raw material to finished products. We have passed certified ISO9001, SGS, ROHS, EN-71, BV etc. We promise all products will be examined strictly and we ensure that the products we deliver to you with top quality.



## ABOUT GOLDBRIDGE

As a one of leading manufacturer and exporter of RFID products in China, We have been in this field for 20 years already. We have rich production and exportation experience on RFID products. Our strength products are: rfid card, rfid Keyfob, rfid wristband, rfid tag and various rfid reader. We are also the access control solution provider.

[MORE >>](#)





## ABOUT OUR FACTORY

Established in 1999, Shenzhen Goldbridge has witnessed the technological innovation from rfid card to rfid tag, the overall change of market products in the past 20 years, and registered "Shenzhen Goldbridge Industrial Co., Ltd." in 1999.

At present, Goldbridge has developed into a National High-Tech Enterprise, which is specialized in the integration of production, market and research. Starting from the PVC cards and RFID cards factory with only 66 workers, Goldbridge has accomplished the successful transition from traditional manufacturing industry to IOT technology enterprise (RFID technology development).



With the accumulation of dozens of software copyrights and utility new inventions and patents, Goldbridge has been rewarded as "National High-Tech Enterprise", "Shenzhen High-Tech Enterprise", and has become an integrated enterprise which focuses on research, production and market. Meanwhile, by adopting the "Military + School + Family" corporate culture concept, accompanied by the continuous innovation of business model and marketing model, plus the B2B, B2C platform and excellent sales team, Goldbridge sells its products all over the world.



# Honers & Certificates



## FAQ

**Q** Do you accept Trade Insurance ?

Yes of course, please click here to issue a trade insurance order.

**A**

**Q** Do you offer a customized sourcing service ?

**A** Yes please contact our sales team directly.

**Q** What format files shall we send for printing?

**A** Adobe illustrator would be best, cdr, Photoshop and PDF files are also OK.

**Q** How long is your warranty time?

**A** Function warranty time is 3years, printing warranty time is 1year.

You may negotiate with our sales team when ordering.

**Q** Do you own your own factory?

**A** Yes we have 3000 square meter workshop for RFID/NFC products.

**Q** Could I get the free sample for testing?

**A** Yes, in order to show our sincerity, we could support the free sample to you for testing..

**Q** Do you also supply OEM service?

**A** Yes, Since we keep professional manufactory with own moulding line and product line, so you could put your LOGO on our products to make them unique

ACM 海洋金桥  
GOLDBRIDGE



**SHENZHEN GOLDBRIDGE INDUSTRIAL CO.,LTD**

**Skype:** Lily-jiang1206

**Website:** [www.goldbridgesz.com](http://www.goldbridgesz.com)

**E-mail:** [sales@goldbridgesz.com](mailto:sales@goldbridgesz.com)

**Whatsapp:** [+86-13554918707](https://wa.me/8613554918707)

**Add:** Block A, Zhantao Technology Building,  
Minzhi Avenue , Longhua District,  
Shenzhen, China