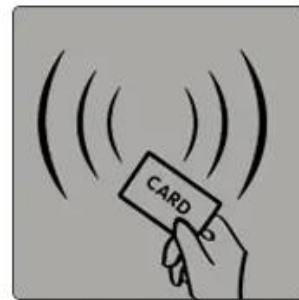


Advantage

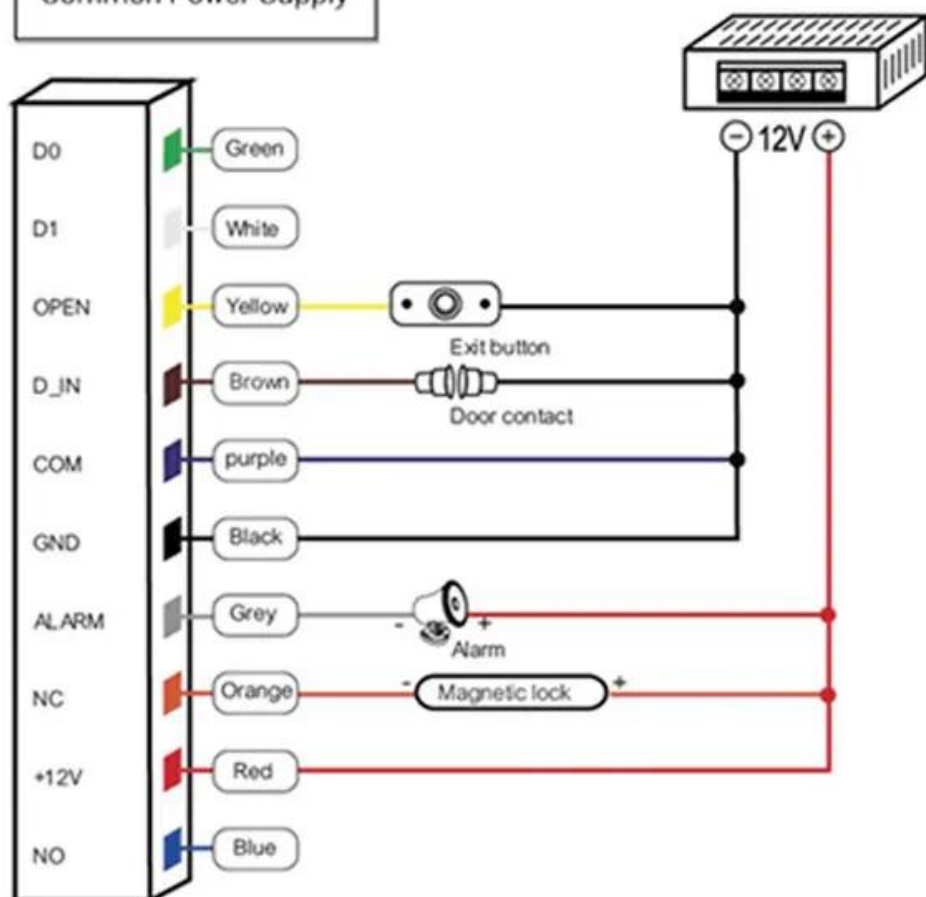
- 1.completely independent access control, directly through the keyboard to achieve password, card management and other functions.
- 2.supports Wiegand 26 output&input, can be used as a card reader.
- 3.support fingerprint, card, password, card with password three seed certification management.
- 4.reader sensor with high sensitivity, less than 0.1 seconds.
- 5.supports a password to open the door, stand-alone card capacity up to 10000, fingerprint capacity to 600.
- 6.high-quality stainless steel materials, with tamper alarm and door sensor alarm functions.
- 7.exit button and doorbell input function.

Product Show

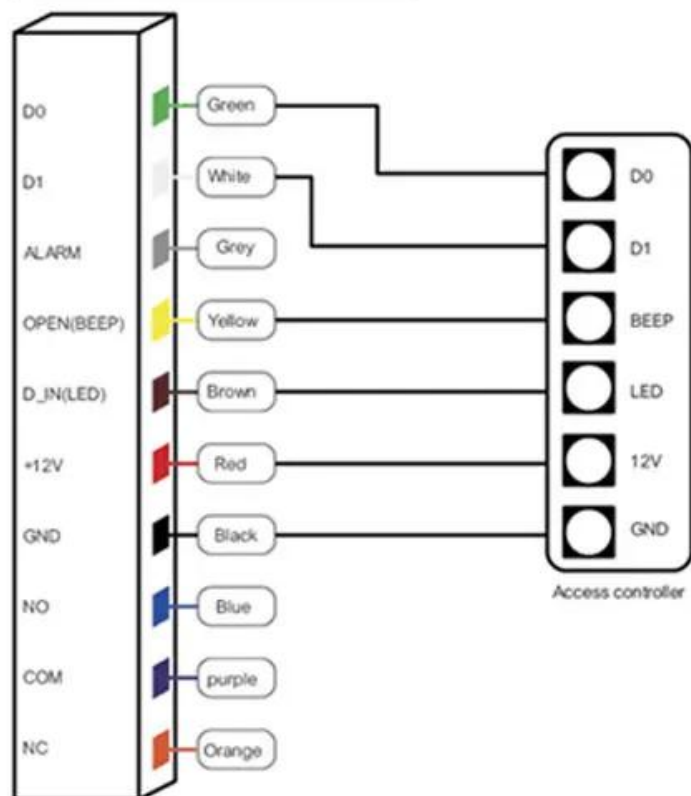


Common Power Supply

Note: The magnetic contact and alarm function is optional

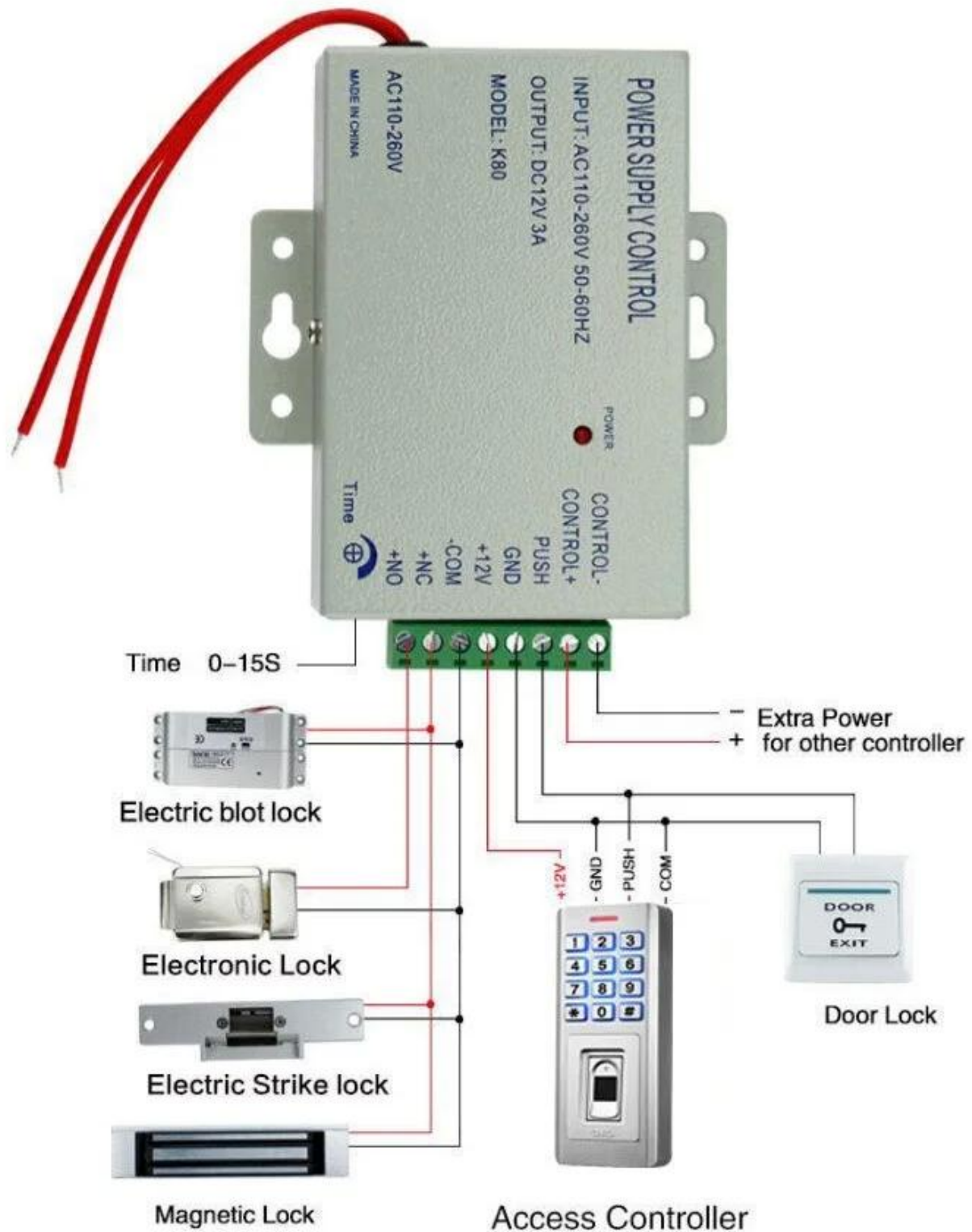


Card Reader Mode Diagram



Application

Supports Wiegand 26 output, can be used as a card reader door access control



Packing & Delivery

Shipping Way

We have strong cooperation with DHL, FEDEX, TNT, UPS, EMS, Forwarder by SEA and By AIR
You also can choose your own shipping forwarder.

Packaging

Keypad access control packaging: 1unit per box, 30pcs per carton,

You May Like

We are Professional Access Control Manufacturer, We have Full System for Access Control Product as below:





ACM223

Touch Keypad RFID & Keypad
Access Control , 125Khz EM
1000/4000 USer capacity

ACM209-NW

Keypad Metal RFID Single door
AccessControl (Non-waterproof),
125Khz EM

ACM208

Waterproof RFID Single door Access
Control and Reader





ACM210

Metal RFID Single door Access Control (Non-waterproof)

ACM225

Touch Keypad RFID Access Control, 125Khz EM, Can connect wiegand reader

ACM211B

Touch Keypad Metal case Waterproof RFID Access Control, Can connect wiegand reader

Our Service

- 1, Any inquires will be replied within 24 hours
- 2, Professional manufacturer and supplier, Welcome to visit our website and our factory
- 3, OEM/ODM Available
- 4, High quality, fashin desing, reasonable & competitive price, fast lead time
- 5, After-sale Service :
 - 1), All products will have been strictly quality checked in house before packing

- 2), All products will be well packed before shipping
- 3), All our products have 2-3 year warranty if the damage is not caused by human
- 6, Faster delivery : Around 1~ 5 days for sample order, 7~30 days for bulk order
- 7, Payment : You can pay for the order via : T/T, Western Union, Paypal, Ali trade assurance
- 8, Shipping: We have strong cooperation with DHL, FEDEX, TNT, UPS, EMS, Forwarder by SEA and By AIR, You also can choose your own shipping forwarder.

FAQ

Q: 1. How can I place an order?

A: Please list your requirement to us via mail. Then we will send the offer to you at earliest time, after order confirmation, we will arrange production ASAP.

Q: 2. What about the payment and shipment?

A: Trade Assurance and T/T ,Paypal, Western Union.
Clients can choose by sea, air or express(DHL, FedEx, TNT UPS etc.)

Q: 3. How can I get a sample to check your quality?

A: We could provide free sample to you, and the freight cost paid by you.

Q: 4. How long can I expect to get the samples?

A: It depends on the quantity. Normally 3-7 days for 5000pcs and 7-15 days for 100,000pcs

Q: 5. Can your products be customized?

A: Almost all of your products are customized ,including the material, size, thickness and printing. OEM orders are highly welcome.

Q: 6. Are you a trading company or factory?

We are one of the biggest manufacturers of RFID cards/NFC tags/RFID keyboard /RFID wristband/RFID reader and access control products in China more than 20 years.