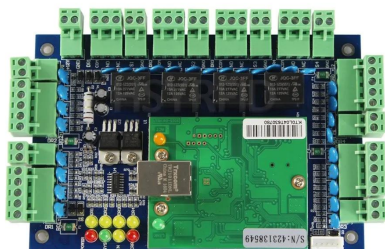


Product description



Wholesaler Price TCP / IP + WG26 RFID 4 Port Access Controller

The access control panel provides the solution for powerful combinations of access control and alarm monitoring within off-line networks. The intuitive Access software programs the system in minutes, from a non-dedicated PC.

P
a
P
a
m
e
t
e
t
p
e
s
a
m
e
p
e
r
o
n

C
h
e
c
k
4
d
o
o
r
s
,
e
n
t
e
r
w
i
t
h
t
h
e
x
i
t
b
u
t
t
o
n

C
M
P
U
T
E
R
S
I
N
T
H
E
P
A
S
T
A
N
D
A
R
D
S
A
N
D
F
U
T
U
R
E
T
R
E
N
D
S
I
N
C
O
M
P
U
T
I
N
G
S
C
I
E
N
C
E
A
N
D
I
N
F
O
R
M
A
T
I
O
N
T
E
C
H
N
O
L
O
G
Y

S
o
f
t
w
a
r
e
l
i
n
g
u
a
g
e
M
a
x
i
m
u
m
a
m
o
u
n
t
f
o
r
s
o
f
t
w
a
r
e
s
u
p
p
o
r
t
e
d

M
a
x
i
m
u
m
a
m
é
s
a
g
g
e
s
r
e
m
d
i
e
a
t
a
n
t
e
s
m
h
t
r
o
l
l
e
r

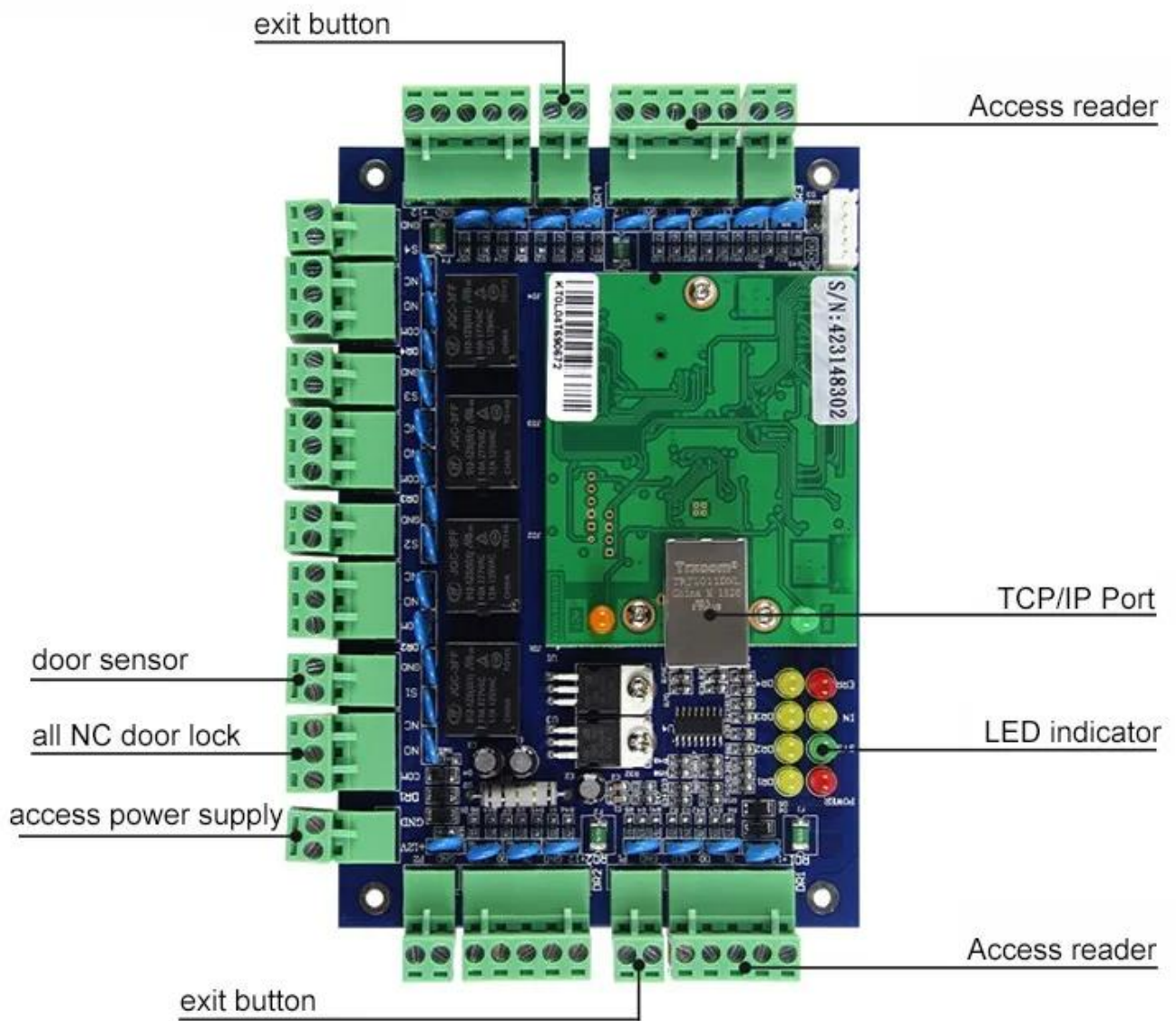
Keyboard (card reader pass word) ~~R~~ ~~P~~ ~~n~~ ~~n~~ ~~t~~ ~~e~~ ~~o~~ ~~p~~ ~~n~~ ~~n~~ ~~t~~ ~~h~~ ~~o~~ ~~n~~

A
l
a
r
m
o
p
p
e
n
e
d
t
o
o
l
o
n
g
M
u
l
t
i
t
i
t
a
p
d
o
p
e
n
O
p
e
n
i
n
g
o
r
c
r
o
s
s
i
n
g
t
i
m
i
n
g

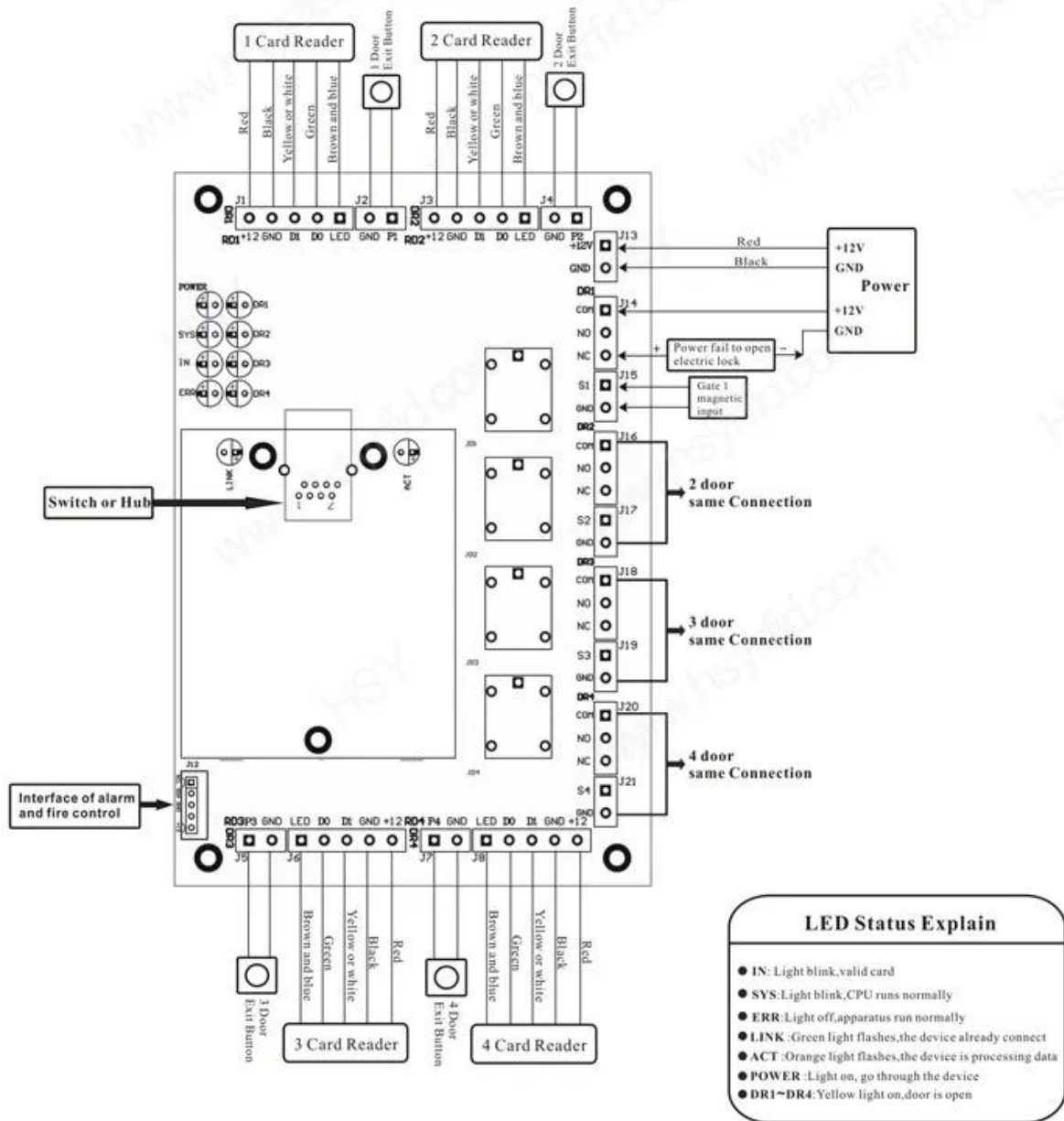
E
m
e
r
g
e
n
c
y
o
p
e
n
i
n
g
o
r
c
l
o
s
i
n
g
K
e
y
b
o
a
r
d
o
f
s
e
c
u
r
i
t
y
a
n
d
e
m
e
r
g
e
n
c
y
r
e
s
p
o
n
s
e
a
u
t
h
o
r
i
t
y
o
f
t
h
e
U
n
i
t
e
d
S
t
a
t
e
s
o
f
A
m
e
r
i
c
a

Detailed images

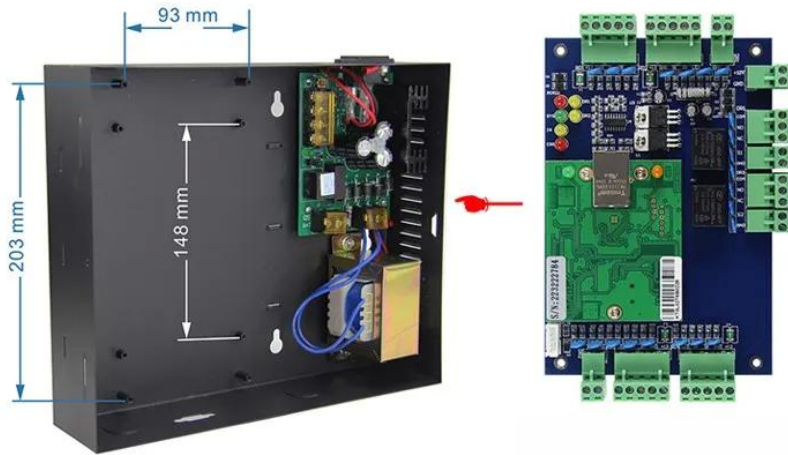
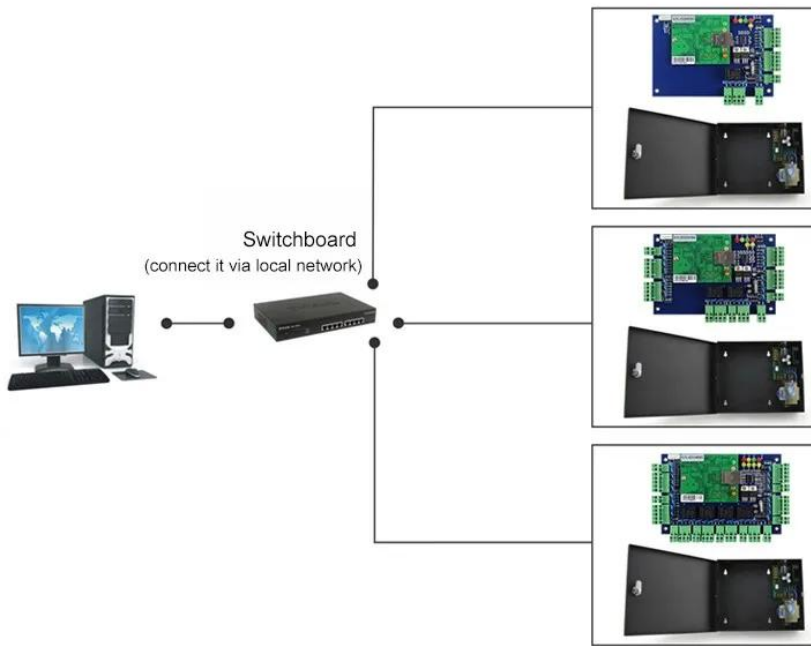
The software of this access control card provides numerous functions of access control and alarm monitoring: expiration date for clubs, automatic activation, time zones, supervision, anti-passback, activity reports ... Each alarm input is programmable: operating mode (NO or NC), time bands, local reflex (activation of the outputs based on the status of the inputs). Specific alarms are triggered based on the number of failed attempts, the time limit for closing the door (door alarm), the duress code ... When requested, the data stored in the controllers is transferred to the computer and the activity reports. Each controller works independently and maintains its own database.
The image below is the design file for the two door access control panel.



Four Door Access Controller Wiring Diagram (TCP/IP Communication)

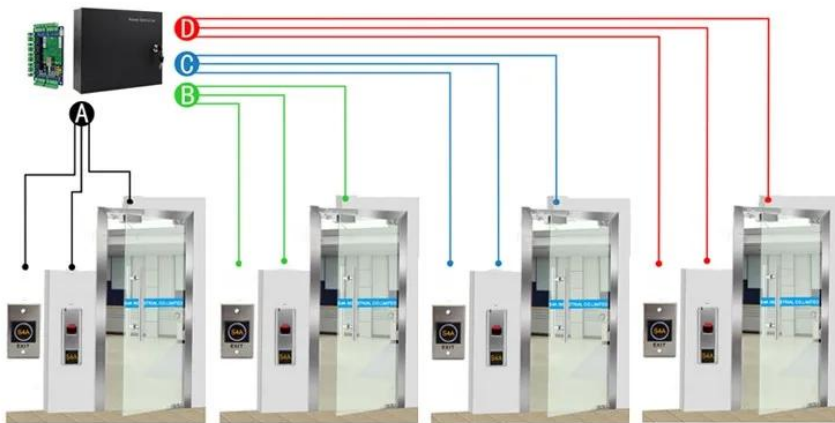


Application



Kindly remind:

All network control board must configure with access power supply.
1 board for 1 power supply



ACM-WEG04

Four doors 1 way: Control 4doors (Enter by Swipe cards and Exit by Push button)

Scope of Application



Company



Hospital



Hotels



Logistics



Port



Financial



Government



Factory



Aviation



School

Packaging and delivery

Every order we will check the quality first to ensure our customer get the best product.
Our staff will carefully pack it to avoid damage in transit.
We will ship all goods as soon as possible.





Shipping method (for new customers reference only)

We have been one of the leading exporters of RFID products in China for 2000 years. With rich experience in international trade, we know international shipping very well, we know which express or air / sea line is cheap and safe for your country. We can provide various certificates to clean your custom such as CO, FTA, Form F, Form E ... We will provide our professional suggestion for shipping. EXW, FOB, FCT, CIF, CFR ... trade terms are ok for us. We can be your reliable partner for products and shipments.

We are professional suppliers of full security access control products with 20 years of experience, we make sure to offer the best access control system solution! Then, submit your inquiry details below, click "Send" now!

We are looking forward to establishing successful business relationships with new customers around the world in the future.

You May Like





ACM-K2A / B

No touch Door Release Exit Button with led

ACM-Y180

Magnetic Surface Mount Lock (180kg)

ACM-Y806-5A

5A power supply for access control





ACM225

Touch Keypad RFID Access Control
12khz

ACM-210

Metal Waterproof RFID Wiegand
Access Control

ACM26X

125Khz EM Card RFID Reader
Dimensions: 115mm × 75.5mm ×
16.8mm

Our service

- 1, All inquiries will be answered within 24 hours
- 2, professional manufacturer and supplier, welcome to visit our website and factory
- 3, OEM / ODM available
- 4, high quality, fashion design, reasonable and competitive price, fast delivery time
- 5, after-sales service:
 - 1), All products will have been strictly checked in house before packing
 - 2), All products will be well packed before shipping
 - 3), All of our products have 2-3 years warranty if the damage is not caused by man
- 6, faster delivery : About 1 ~ 5 days for sample order, 7 ~ 30 days for bulk order

7, payment: You can pay for the order via: T / T, Western Union, Paypal,

8, Shipping: We have strong cooperation with DHL, FEDEX, TNT, UPS, EMS, Forwarder by SEA and By AIR, you can also choose your own forwarder.

FAQ

Q: 1. How can I place an order?

A: Please list your needs by mail. Then we will send you the offer as soon as possible, after your order is confirmed, we will arrange the production as soon as possible.

Q: 2. What about payment and shipping?

A: Trade assurance and T / T, Paypal, Western Union.

Customers can choose by sea, air or express (DHL, FedEx, TNT UPS etc.)

Q: 3. How can I get a sample to check the quality?

A: We could provide you with free sample and the freight cost paid by you.

Q: 4. How long can I expect to get the samples?

A: It depends on the quantity. Normally 3-7 days for 5000 pieces and 7-15 days for 100,000 pieces

Q: 5. Can your products be customized?

A: Almost all of your products are customized, including matter, size, thickness and printing. OEM orders are welcome.

Q: 6. Are you a trading company or a factory?

We are one of the largest manufacturers of RFID card / NFC tag / RFID keybod / RFID bracelet, rfid reader and access control products in China for more than 20 years.