

Product Description



Wifi Reader Wiegand 26-34 Bits 433MHz Wireless Keypad Reader With Receiver Support Smart card reader

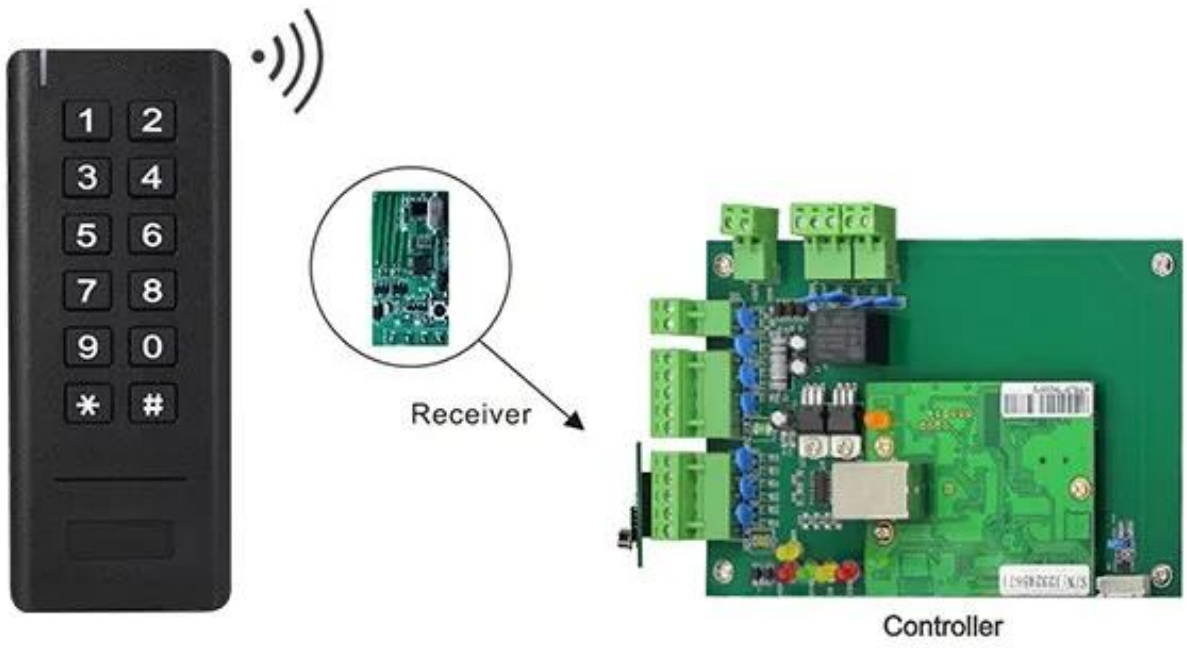
Wireless Keypad reads, including the Wireless Keypad and Receiver, it's 433MHz Rolling code communication between the keypad and receiver, and the receiver can be connected to any 3rd party Wiegand controller.

R
e
a
d
e
r
.
c
o
n
s
p
e
d
F
r
i
e
n
d
l
y

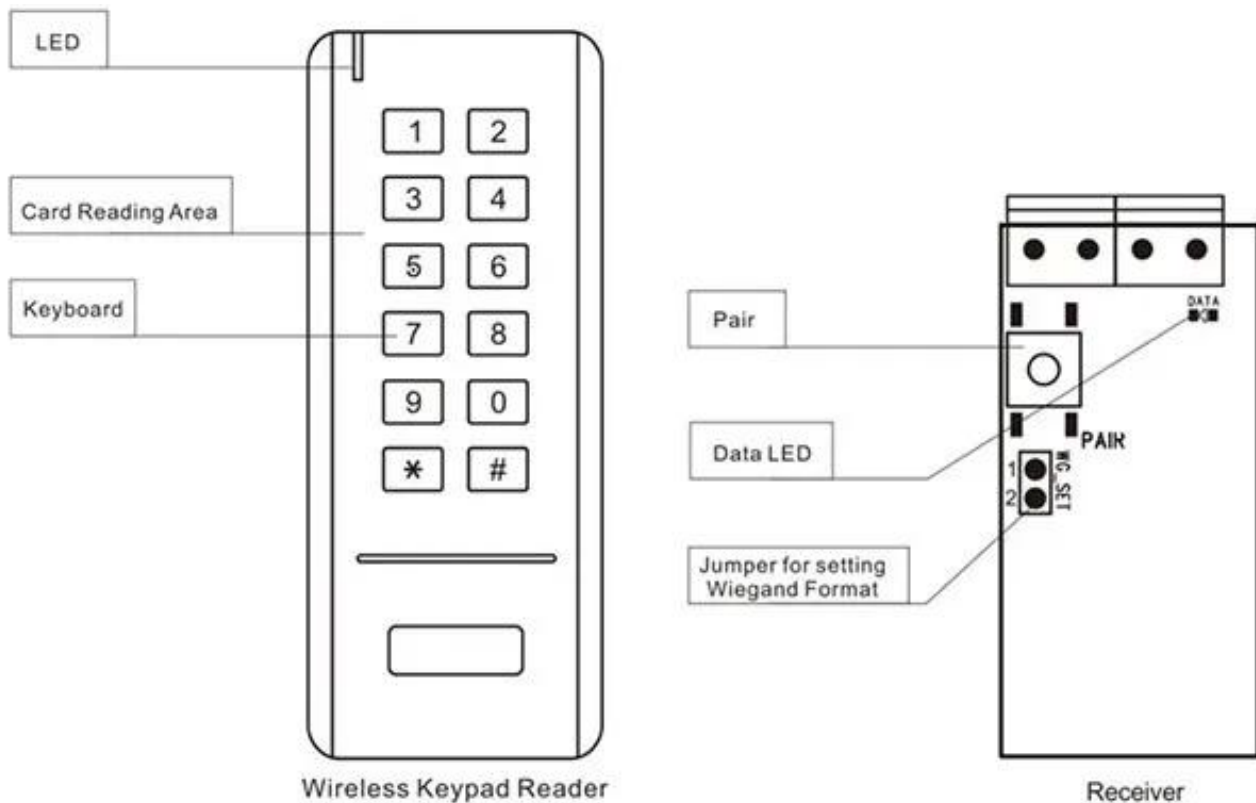
W
o
r
k
i
n
g
h
o
u
s
e
r
r
e
n
t
R
e
a
d
i
n
g
m
a
n
a
g
e
m
e
n
t
B
o
o
k
D
e
s
i
g
n
S
t
r
u
c
t
u
r
e

Detailed Images





Wireless button
(Optional accessory)



Fast installation within 2 minutes



Packing & Delivery

Packaging and delivery Details:

Package: One piece in one box, 100 pieces in one carton

Port: Shenzhen or Hong Kong

Lead time: 3~7 days after the order confirmed

We are professional comprehensive security access control products supplier with 20 years experience, we make sure to offer the best solution of access control system solution! So, send your inquiry details in the below.

We are looking forward to forming successful business relationships with new clients around the world in

the future.



Shipping Way

We are one of the leading exporter of RFID products in China since 2000 years . With rich international trade

experience we know the international shipping very well ,
We know which express or air/sea line is cheap and safe to
your country . We can supply various certificate for you to
clean your custom to such as CO , FTA , Form F , Form E
...Ect . We wil provide our professional suggestion for your
shipping . EXW , FOB , FCT , CIF , CFR ...trade term are
ok for us . We can be your reliable partner for products
and shipping .

You May Like





ACM26X RFID Card Reader

125Khz wiegand 26 /34 Card Reader,
Size:115mm×75.5mm×16.8mm

ACM26G RFID Card Reader

125Khz /13.56Mhz Reader
wiegand 26/34 /RS232

KR600E RFID reader

125KHz Proximity ID/ 13.56Mhz card
reader, Wiegand output 26bit





ACM-EMI-S RFID card

125Khz EM Proximity Card
Size 86*54mm

ACM-MF1 RFID Crad

MF1 1K Compatiable Card

ACM-ABS003 RFID

Keyfob

125Khz EM/13.56Mhz/UHF Keyfob,
Color Optional: Blue,
Red,Black,Yellow, Grey,Green

Quality Warranty

- Warranty Service will be honored if the damage is not caused by human, ACM Goldbridge provides 2 years warranty for relative products.
- On the contrary, ACM Goldbridge will charge extra if repair.
- More information, please browse our service center.

Our Service

- 1, Any inquires will be replied within 24 hours
- 2, Professional manufacturer and supplier, Welcome to visit our website and our factory
- 3, OEM/ODM Available
- 4, High quality, fashion desing, reasonable & competitive price, fast lead time
- 5, After-sale Service :
 - 1), All products will have been strictly quality checked in house before packing
 - 2), All products will be well packed before shipping
 - 3), All our products have 2-3 year warranty if the damage is not caused by human
- 6, Faster delivery : Around 1~ 5 days for sample order, 7~30 days for bulk order
- 7, Payment : You can pay for the order via : T/T, Western Union, Paypal
- 8, Shipping: We have strong cooperation with DHL, FEDEX, TNT, UPS, EMS, Forwarder by SEA and By AIR, You also can choose your own shipping forwarder.

FAQ

Q: 1. How can I place an order?

A: Please list your requirement to us via email. Then we will send the offer to you at earliest time, after order confirmation, we will arrange production ASAP.

Q: 2. What about the payment and shipment?

A: Trade Assurance and T/T, Paypal, Western Union.

Clients can choose by sea, air or express (DHL, FedEx, TNT UPS etc.)

Q: 3. How can I get a sample to check your quality?

A: We could provide free sample to you, and the freight cost paid by you.

Q: 4. How long can I expect to get the samples?

A: It depends on the quantity. Normally 3-7 days for 5000 pcs and 7-15 days for 100,000 pcs

Q: 5. Can your products be customized?

A: Almost all of your products are customized, including the material, size, thickness and printing. OEM orders are highly welcome.

Q: 6. Are you a trading company or factory?

We are one of the biggest manufacturers of RFID cards/NFC tags/RFID keyfobs/RFID wristbands/RFID reader and access control products in China more than 20 years.