
Surface Mounted 12V Magnetic Cabinet Lock 60kg 120lbs Holding Force Mini Electric Door Lock

P
a
r
a
m
e
t
r
i
c
a
n
D
i
a
m
e
t
e
r
p
r
e
s
s
i
o
n
E
x
t
e
n
s
i
o
n
M
o
n
i
t
o
r
i
n
g
r
e
e
n
s
e

I
N
D
E
X
V
O
L
U
M
E
I
I

W
a
i
d
e
h
e
b
o
r
G
b
a
s
s
d
o
o
r
,
M
e
t
a
l
d
o
o
r
,
F
i
r
e
p
r
o
o
f
d
o
o
r

B
i
n
g
a
l
D
g
a
b
S
t
a
t
u
s
N
O
/
N
C
/
C
O
M
/
+
/
-

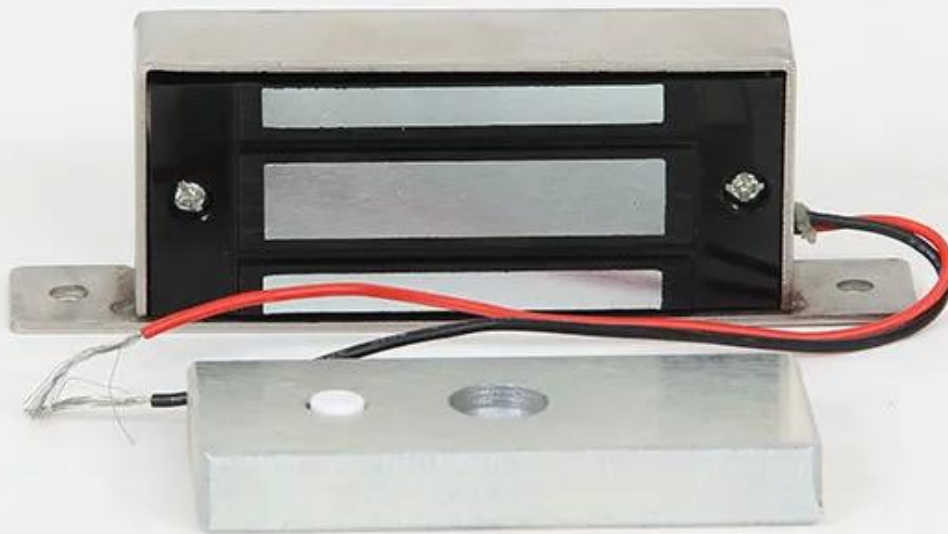
F
a
i
t
S
a
f
e
,
T
i
m
e
r
d
e
l
a
y
,
f
e
e
d
b
a
c
k
s
i
g
n
a
l
,
1
2
V
/
2
4
V
D
C
d
u
a
l
v
o
l
t
a
g
e

R
E
D
s
h
o
w
s
u
n
l
o
c
k
e
d
,
G
r
e
e
n
s
h
o
w
s
l
o
c
k
e
d
W
6
k
g
h
t
:
C
E
r
M
A
f
i
c
a
t
i
o
n
:

Product Advantage

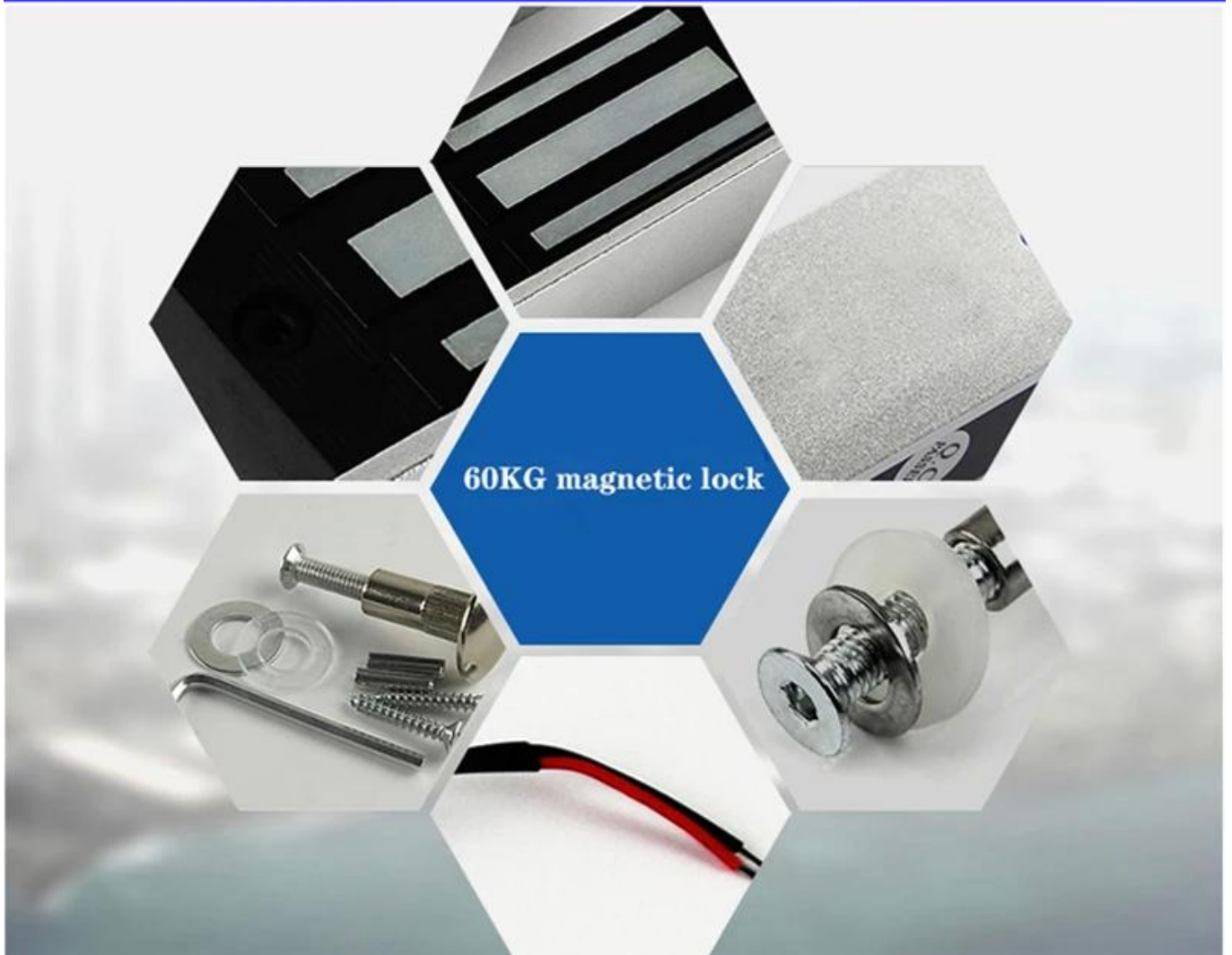
Feature:

1. The shell is made of high quality aluminum alloy material, which is strong, safe and durable.
2. 60kg ultra-high tension, built-in surge absorption circuit, power-on lock and power-off unlock.
3. The lock has fine workmanship design and has no mechanical wear, thus the lock owns a long service life.
4. Easy to operate and install, you can install the lock by yourself within a few minutes.
5. Suitable for wooden doors, doors, metal doors, fire doors, so you can buy it with ease.





Details



Details



01 Hexagonal screw



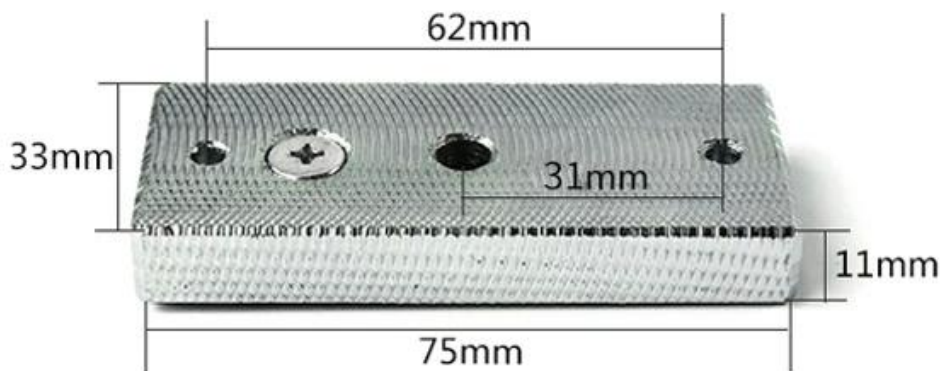
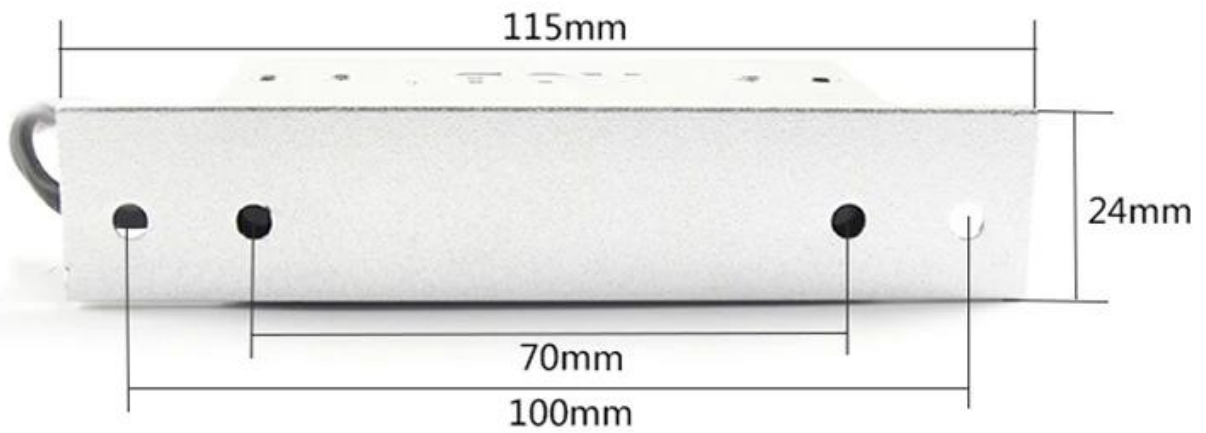
02 Aluminium alloy



03 Steady suction



04 Matching accessories



Package Including:

1* 60KG magnetic Lock

1* installation kit

1* user manual

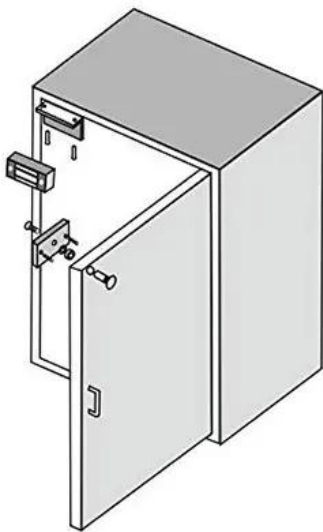
Product Application

- Made of aluminum alloy
Tough and safe to use
- Suitable for wooden doors, glass doors, metal doors, fire doors

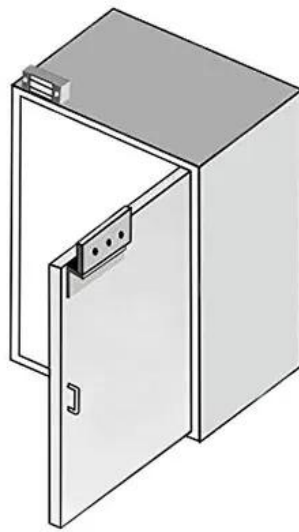




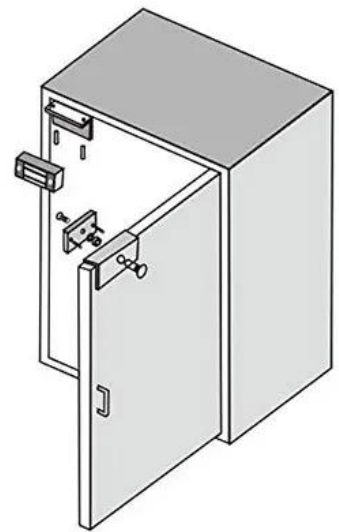
Installation Diagram



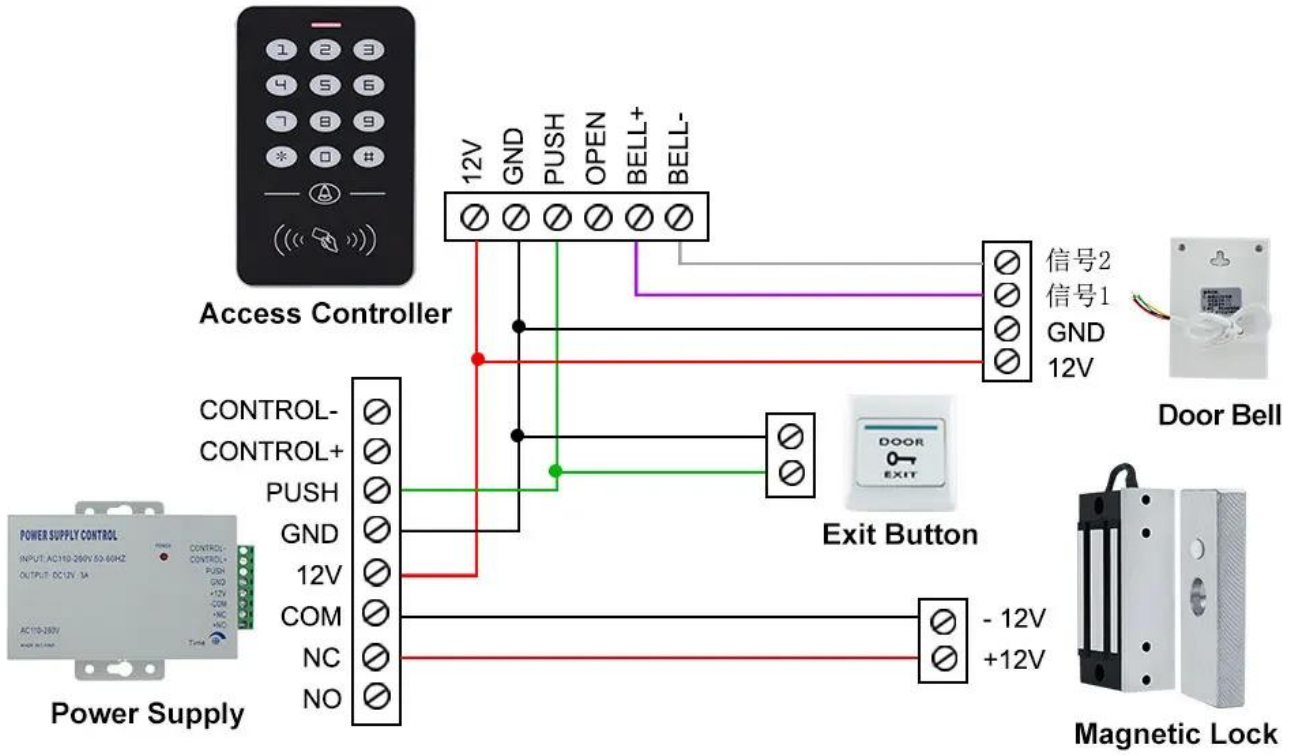
Demonstration of Standard Installation



Demonstration of Z Bracket Installation



Demonstration of UL Bracket Installation



ABOUT GOLDBRIDGE

As a one of leading manufacturer and exporter of RFID products in China, We have been in this field for 20 years already. We have rich production and exportation experience on RFID products. Our strength products are: rfid card, rfid Keyfob, rfid wristband, rfid tag and various rfid reader. We are also the access control solution provider.

MORE >>



ABOUT OUR FACTORY

Established in 1999, Shenzhen Goldbridge has witnessed the technological innovation from rfid card to rfid tag, the overall change of market products in the past 20 years, and registered "Shenzhen Goldbridge Industrial Co., Ltd." in 1999.

At present, Goldbridge has developed into a National High-Tech Enterprise, which is specialized in the integration of production, market and research. Starting from the PVC cards and RFID cards factory with only 66 workers, Goldbridge has accomplished the successful transition from traditional manufacturing industry to IOT technology enterprise (RFID technology development).



With the accumulation of dozens of software copyrights and utility new inventions and patents, Goldbridge has been rewarded as "National High-Tech Enterprise", "Shenzhen High-Tech Enterprise", and has become an integrated enterprise which focuses on research, production and market. Meanwhile, by adopting the "Military + School + Family" corporate culture concept, accompanied by the continuous innovation of business model and marketing model, plus the B2B, B2C platform and excellent sales team, Goldbridge sells its products all over the world.



Honers & Certificates



Our Service

- 1, Any inquires will be replied within 24 hours
- 2, Professional manufacturer and supplier, Welcome to visit our website and our factory
- 3, OEM/ODM Available
- 4, High quality, fashin desing, reasonable & competitive price, fast lead time
- 5, After-sale Service :
 - 1), All products will have been strictly quality checked in house before packing
 - 2), All products will be well packed before shipping
 - 3), All our products have 2-3 year warranty if the damage is not caused by human
- 6, Faster delivery : Around 1~ 5 days for sample order, 7~30 days for bulk order
- 7, Payment : You can pay for the order via : T/T, Western Union, Paypal, Ali trade assurance
- 8, Shipping: We have strong cooperation with DHL, FEDEX, TNT, UPS, EMS, Forwarder by SEA and By AIR, You also can choose your own shipping forwarder.

FAQ

Q: 1. How can I place an order?

A: Please list your requirement to us via mail. Then we will send the offer to you at earliest time, after order confirmation, we will arrange production ASAP.

Q: 2. What about the payment and shipment?

A: Trade Assurance and T/T, Paypal, Western Union.

Clients can choose by sea, air or express (DHL, FedEx, TNT UPS etc.)

Q: 3. How can I get a sample to check your quality?

A: We could provide free sample to you, and the freight cost is paid by you.

Q: 4. How long can I expect to get the samples?

A: It depends on the quantity. Normally 3-7 days for 5000 pcs and 7-15 days for 100,000 pcs

Q: 5. Can your products be customized?

A: Almost all of your products are customized, including the material, size, thickness and printing. OEM orders are highly welcome.

Q: 6. Are you a trading company or factory?

We are one of the biggest manufacturers of RFID cards/NFC tags/RFID keyboard/RFID wristband/RFID reader and access control products in China more than 20 years.