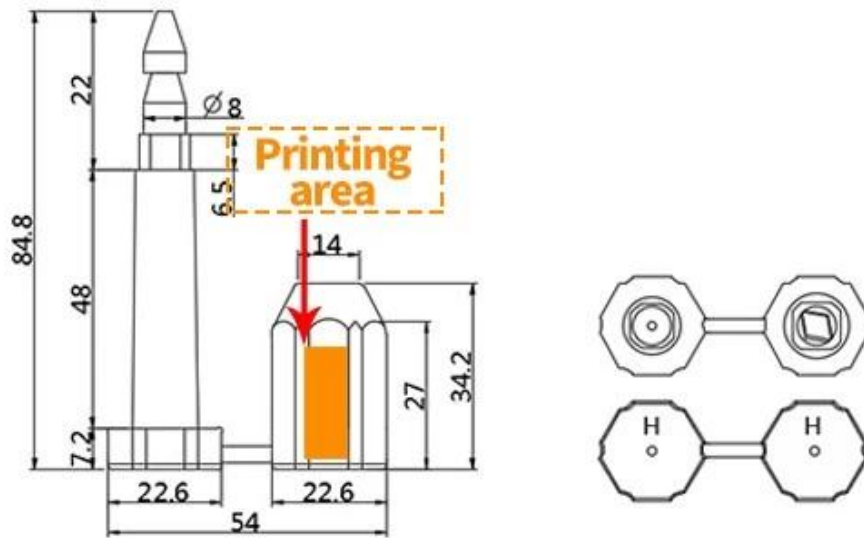


argo container security seal truck seal bolt seal with bar code



Various colors available

## ■ CAD



Main view

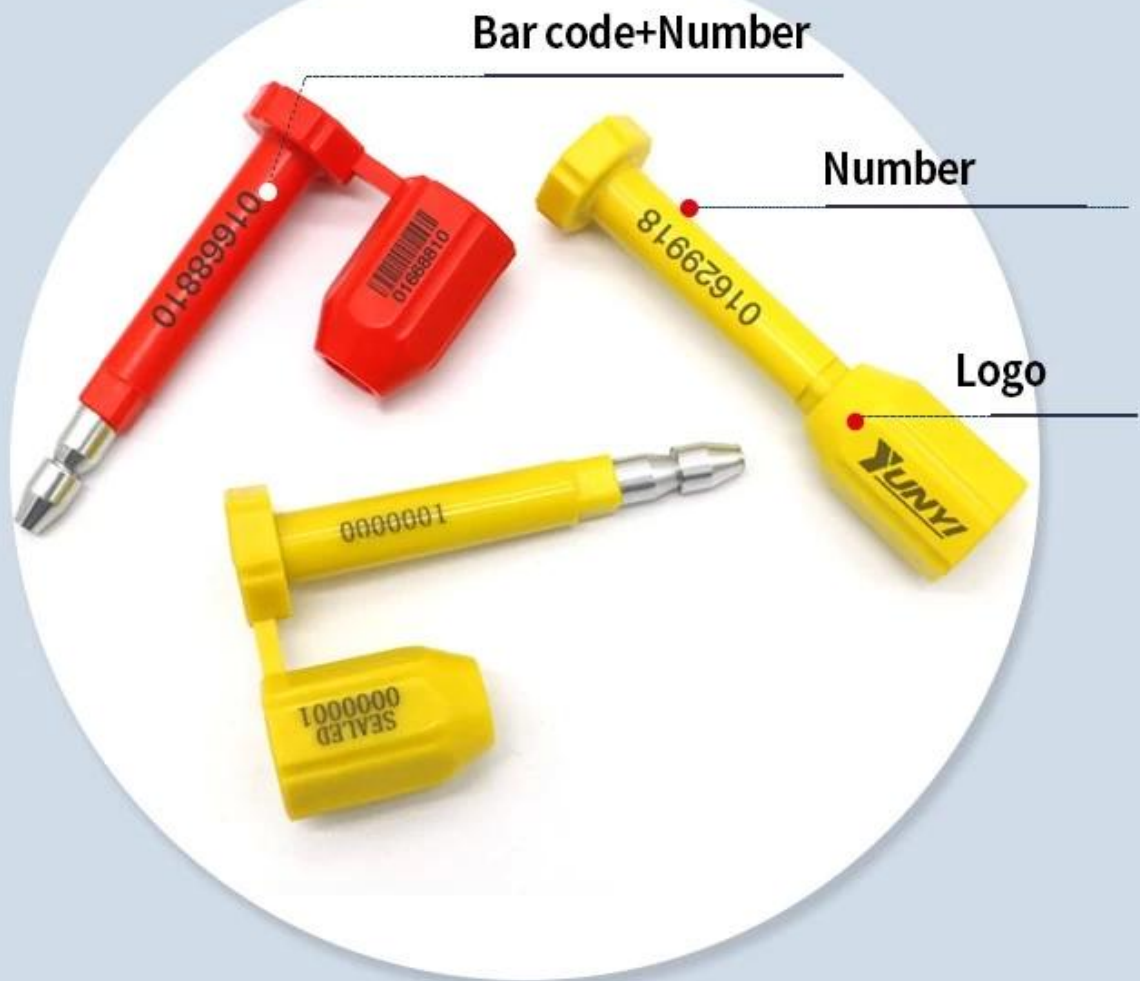
unit:mm

Product size and other content can be customized according to customer requirements

## ■ APPLICATION



## ■ PRODUCTS DETAILS



Printing content can be customized according to customer requirements

**BRAND STRENGTH  
OWN FACTORY**

**FAST  
DELIVERY**

**FACTORY  
DIRECT SALES**

**LARGE QUANTITY  
DISCOUNT**

**SUPPORT  
CUSTOMIZATION**

# **HIGH QUALITY**

Large-scale chemical plant



Many colors are available



**Company Information**



# 20<sup>+</sup> YEARS EXPERIENCE OEM & ODM

ACCESS CONTROL SYSTEMS ONE STOP SOLUTION PROVIDER

Goldbridge is Top 10 China Manufacture On Alibaba, Specializes In Provide Kinds Of RFID/NFC Cards, FID Tags, RFID Card Reader, UHF Reader, Access Control System, Electromagnetic Locks, etc Since 1999



Customized Services



Quality Assurance



Fast Delivery



Best After-Sales Service

## OUR FACTORY



- **Access Control and RFID Reader Production Line:**
- Monthly production quantity is up to 50,000pcs, We are Provides OEM&ODM services including product research and development, LOGO printing, customized.etc



- **Electromagnetic lock & Smart Door Lock Production Line :**
- Monthly production quantity is up to 100,000pcs ,
- Our factory is built with modern manufacture environment, facilities, equipment and professional operation technicians.
- Goldbridge Provides OEM&ODM services including product research and development, LOGO printing and product box customized.



- **RFID & NFC Cards & Tags Production Line :**
- RFID Tag, Wristband, Keyfob: 11,000,000pcs (monthly output)
- Four Production Lines For Smart Card, PVC Card, Prelam Sheet: 20,000,000pcs (monthly output)
- Goldbridge Provides OEM&ODM services for LOGO printing, development, customized.

## ADVANTAGE



### WHY CHOOSE US?

- 1 **FAST DELIVERY** Faster delivery by air by express. (DHL,UPS or Fedex)
- 2 **LONG HISTORY** 20 years experience in RFID & Access Control industry
- 3 **OEM ACCEPTABLE** 20 years OEM&ODM experience for 1000 + VIP client from US and Europe
- 4 **HIGH QUALITY** Design and manufacture high quality produtcs with 30 R&D; engineers.

## APPLICATION

Bus, supermarket,school, government, hospital, factory



## CERTIFICATE









## PRODUCT CATEGORY

### RFID / NFC SMART CARD

Be customized according to you need

Fit for systems of transport, E-payment, Access Control, Event, Loyalty, ect.



[View More](#)

### ACCESS CONTROL SYSTEM

Security for All: Network Access Control Board ,Standalone Access Controller, Biometric Access Control, T&A time attendance, Facial Access Control



[View More](#)

### RFID & LONG RANGE UHF READER

20+ Years of professional Experience in production of rfid uhf hardware

- UHF desktop reader writer,
- UHF integrated reader,
- UHF R2000 fixed reader,



[View More](#)

### ELECTROMAGNETIC LOCK

Professional Electric Locks Manufacturer In China

Electromagnetic lock with OEM & ODM since 1999 60KG /110KG /180KG /280KG /350KG /500KG



[View More](#)

## FAQ

**Q1** How can I place an order?

**A1** Click start to order or list your requirement to us by email. Then we will send the offer to you ASAP, after the order confirmed, we will arrange production ASAP.

**Q2** What about the payment and shipment?

**A2** T/T , Paypal, Western Union etc.

**A3** You can choose your agent or via our agent by sea, air or express (DHL,FedEx, TNT UPS etc.)

**Q4** How can I get a sample to check your quality?

**A4** We could provide the sample to you, pls check the sample cost and freight cost with us.

**Q5** How long can I expect to get the goods?

**A5** It depends on the quantity and shipping way. You can check with us before ordered.

**Q6** Can your products be customized?

**A6** Almost all of our products are customized , including the material, size, thickness and printing. OEM orders are highly welcome.

[Contact Us](#)



[BACK TO HOMEPAGE >](#)

