

Dimensions	115Lx70Wx26H(mm)
Input	DC12V-24V
Contact Rating	1A@36VDC
Output Contact	NO/NC/COM
Mechanical Life	500000 tests
Suitable for Door	Hollow Door
Operating temp	-20°C~+55°C(14-131F)
Suitable Humidity	0-95% (relative humidity)
Detection range	0.1~10cm
Unit Weight	0.11KG
Standard Package	100PCS/carton
Carton Weight	11KG
Carton Size	51*43*33(cm)



Guarantee

User File

User name	Sex	Age
Address		
Telephone	Zip	
Purchasing address		
Retail price	Numbers	
Commodity name and specification	Model No.	
Dealer Signature	Signature	

Guarantee Item

- 3months upon date of purchase, if there is any problem,we should offer the same item, subject to goods and packing material
- 1year upon date of purchase, we will repair the goods in repair. (not including fittings)
- Guarantee service is subject to normally using
- All of damage by man-made(tear open the housing, tear off the sticker, unnormally using),or losing this card, we will not guarantee.

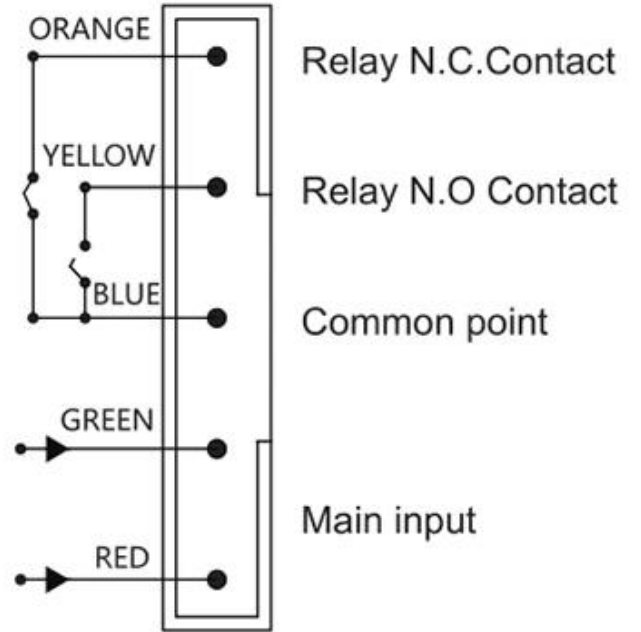


NC

NO

COM

AC/DC
12V~36V



Relay N.C.Contact

Relay N.O Contact

Common point

Main input