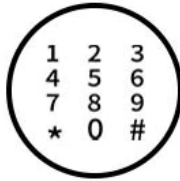


## 125KHz RFID Bağımsız Erişim Kontrolü Tuş Takımı

Yüksek kalite / 1000 kullanıcı kapasitesi / 3 kilit açma yöntemi



Card



PIN



Card + PIN



Tamper  
Alarm



Waterproof



Sunscreen

### Ürün Özellikleri

Klasik metal bağımsız erişim kontrolü çinko alaşımını benimser. Düşük güç tüketimi ve düşük

maliyete dayanmaktadır. Ev, ofis ve departman için uygundur.

- Yüksek kalite ve yüksek güvenlik
- Hassas ve hızlı tepki verir.
- 1000 standart kullanıcı kapasitesi.
- Kapı zili düğmesi, arkadan aydınlatmalı rakam tuş takımı.
- WG26 arayüzü ile. 2 röle çıkışı
- Zaman gecikmeli, sabotaj alarm fonksiyonu
- Kapıyı açmak için destek kartı, şifre, şifre artı kart
- Kullanışlı işleve sahip Klasik Görünüm.
- Ev ve Ofis için profesyonel tasarım.
- Tek kapı desteği
- Tek başına tuş takımı olarak kullanılabilir
- Bilgisayara bağlanmasına gerek yok, tek başına çalışabilir
- Uygulama: Ev/otel/ofis/daire/fabrika vb.

## Ürün Özellikleri

- Kullanıcı Kapasitesi: 1000 kullanıcı kartı
- Boyut: 77\*120\*27mm(U/Y/G)

- Çalışma Frekansı: 125KHz
- Çalışma Gerilimi: DC12V
- Çalışma Akımı: 1.2A
- Çalışma Sıcaklığı: -10 ila 70
- Okuma Mesafesi: 0-10cm
- Bağıl Nem: %20-%90

## Ürün Detayları

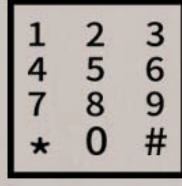
### **Metal yapı, güvenli ve dayanıklı**

Çevre dostu çinko alaşımı, ürünü daha güvenli ve dayanıklı hale getirir, vandalizme karşı, kurcalamaya karşı dayanıklıdır ve farklı çevresel kurulumlara uygundur.

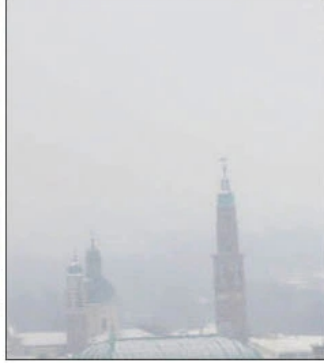


**1000 kullanıcı kartını destekleyin. ve 4 haneli şifre. 3 farklı kilit açma yöntemi vardır.**

rfid kartı, şifre, rfid kartı şifre ile kilidini aç



**Yağmur Geçirmez Kapakla birlikte kullanılır, dış mekana monte edilebilir**



### **Sabotaj alarm fonksiyonunu destekleyin**

Dış mekan erişim kontrol makinesinin çıkarılmasını önleyin ve sökerken otomatik olarak alarm verin.



### **Metal tuş takımı, dijital arkadan aydınlatmalı**

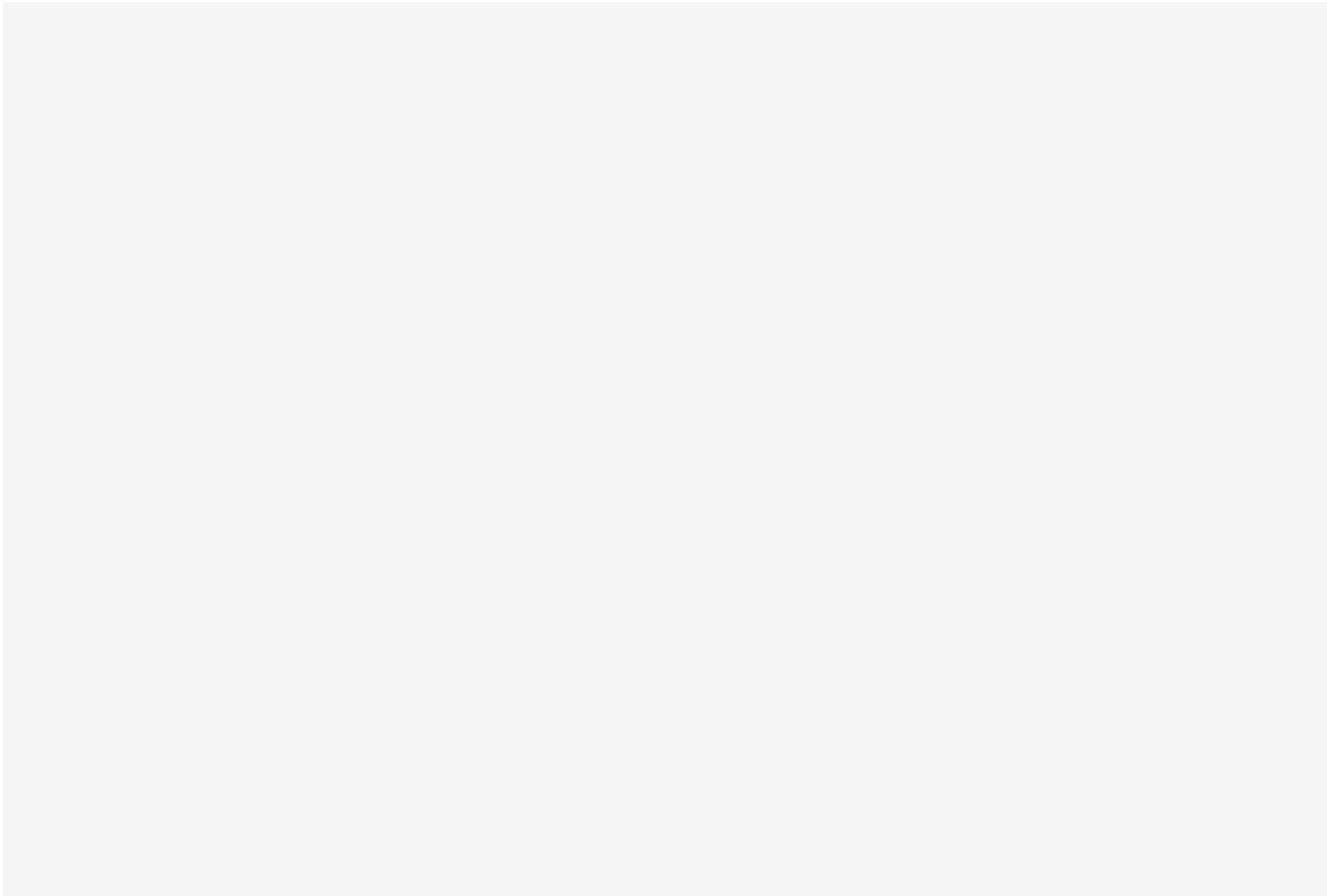
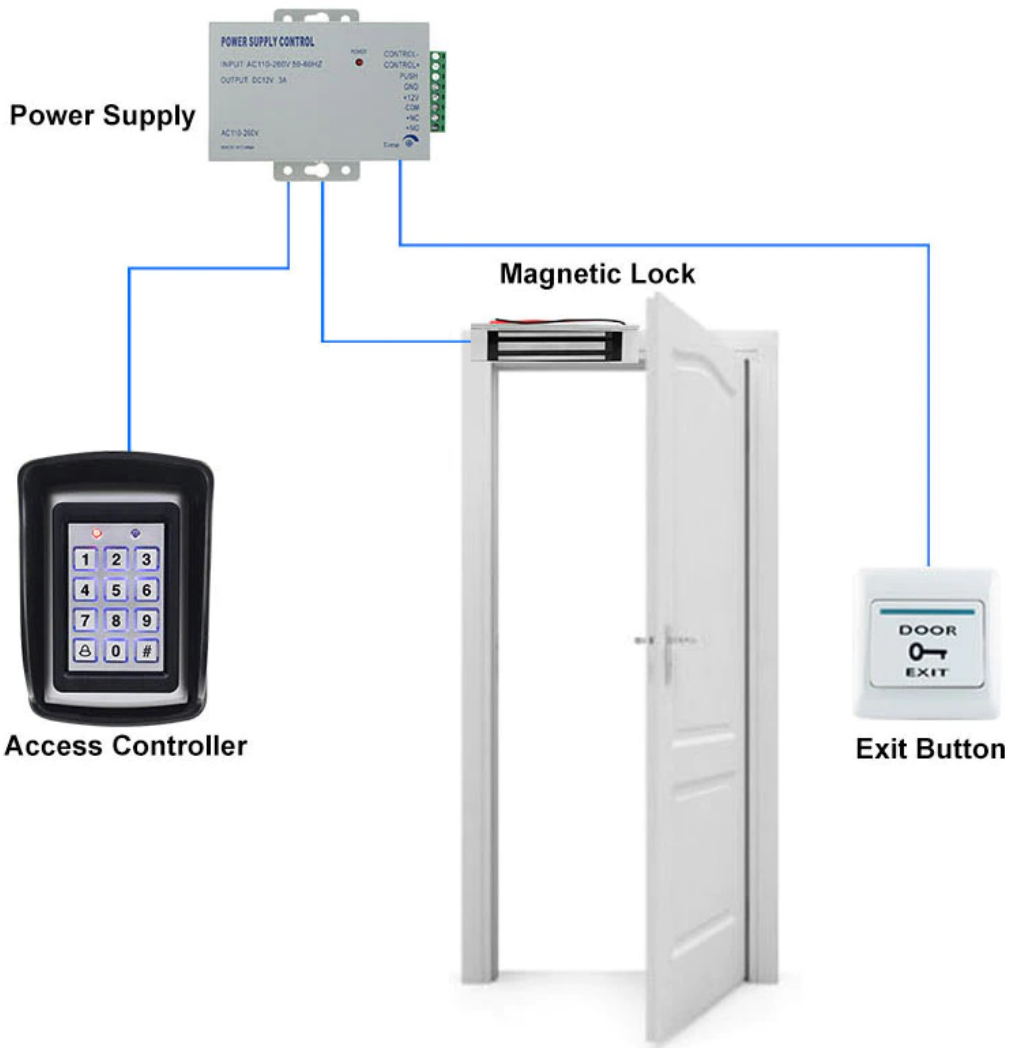
Tüm programlama tuş takımı aracılığıyla yapılır. ve dijital arka ışık tuşu gece veya karanlık ortamlarda kullanışlıdır. 1000'e kadar kullanıcı kapasitesi

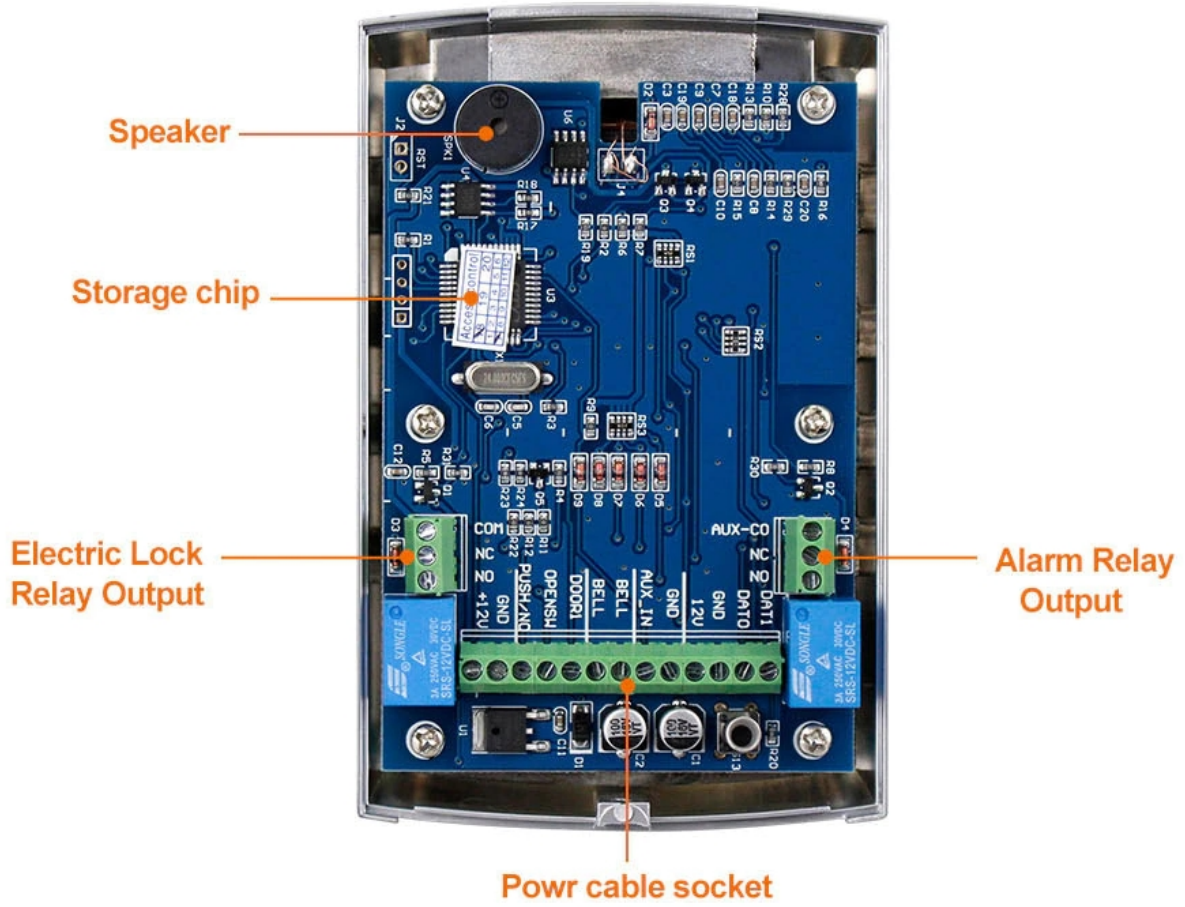


### **Kurulumu ve çalıştırılması kolay**

İleri teknolojiye dayalı, hızlı tanıma hızı, yüksek hassasiyet. Çoğu büyük erişim kontrol çözümü için uygundur.







Yağmur Geçirmez Kapak

Bu su geçirmez kabuk, uzunluđu 13 cm'den az, geniřliđi 8 cm'den az olan parmak izi cihazı, eriřim denetleyicisi, bađımsız rfid kapı eriřim denetleyicisi için uygundur.

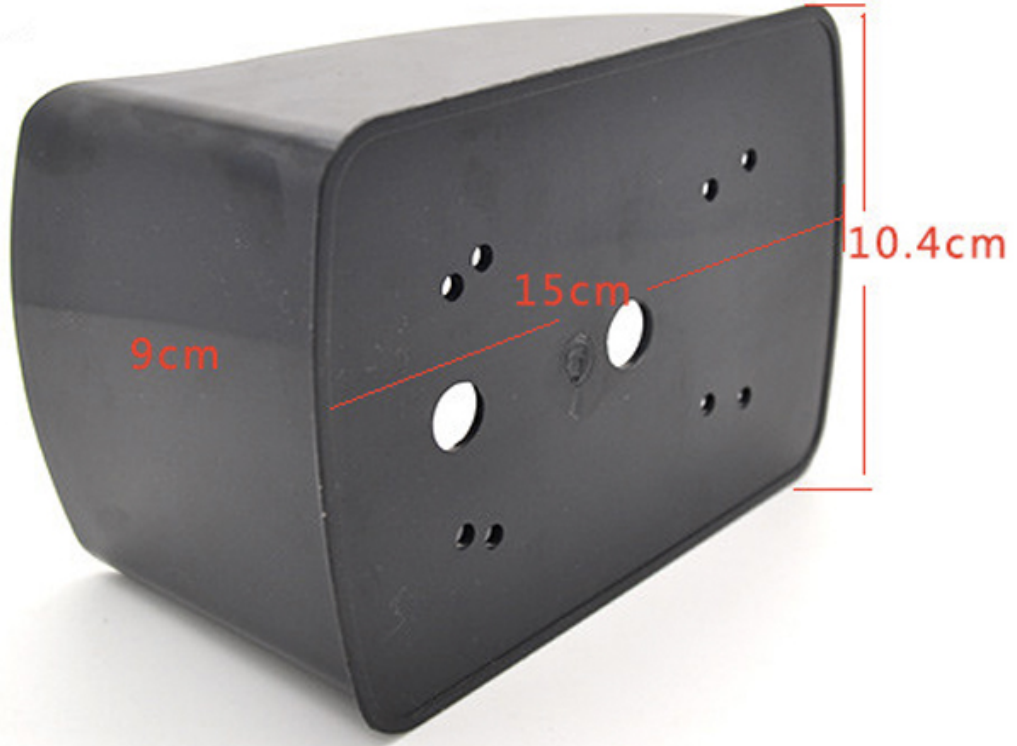
Boyut:

Dıř: 15cm\*10,4cm\*9cm (U\*G\*Y)

İç: 13,5cm\*8,9cm\*8,4cm (U\*G\*Y)

( 7612 model eriřim kontrolü, yüzeyde bir miktar su olduđunda hala çalışır, ancak doğrudan yağmurda kullanılamaz. Öđeyi dıřarıya monte etmek istiyorsanız, lütfen onu korumak için bu yağmur geçirmez kapađı satın alın. )



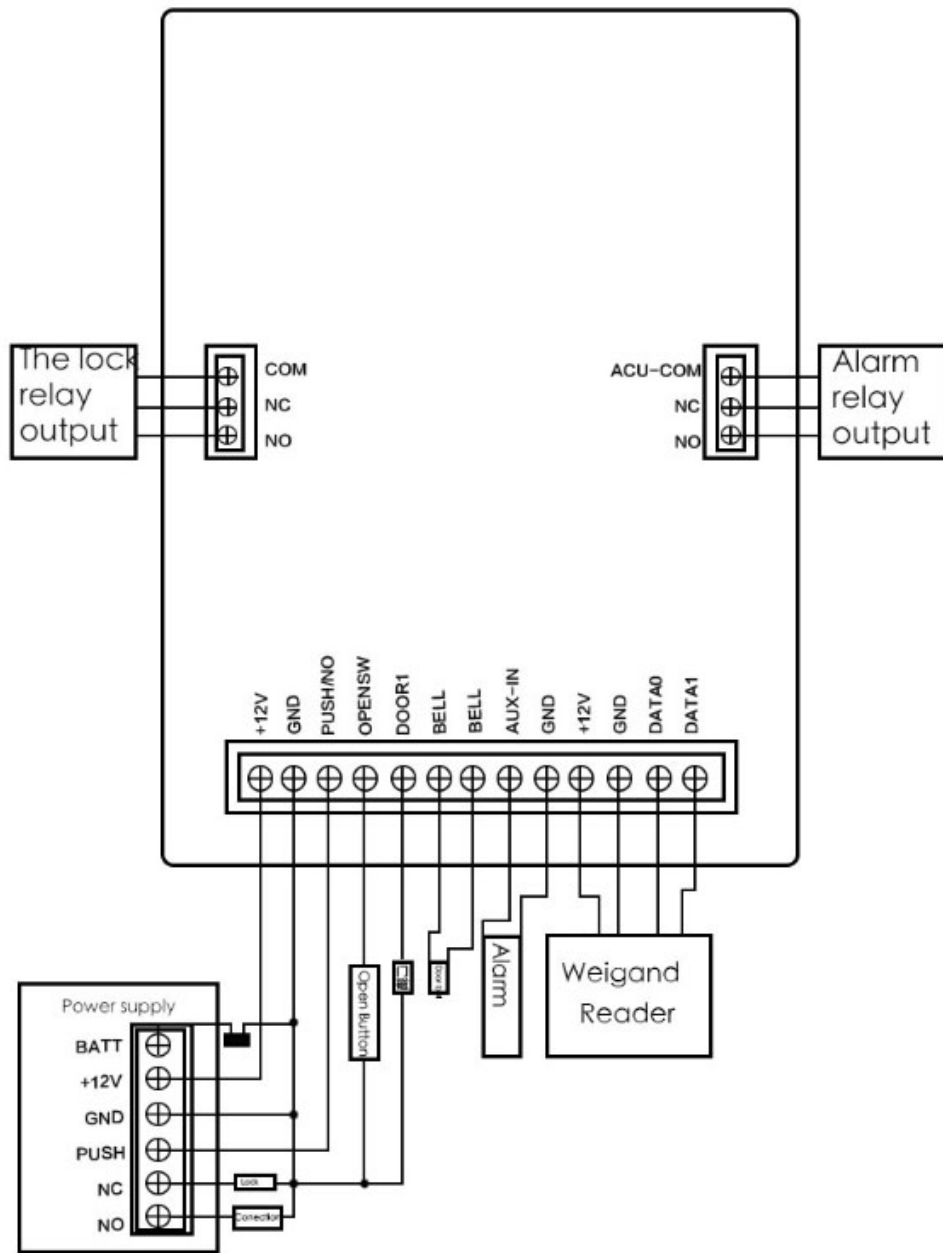


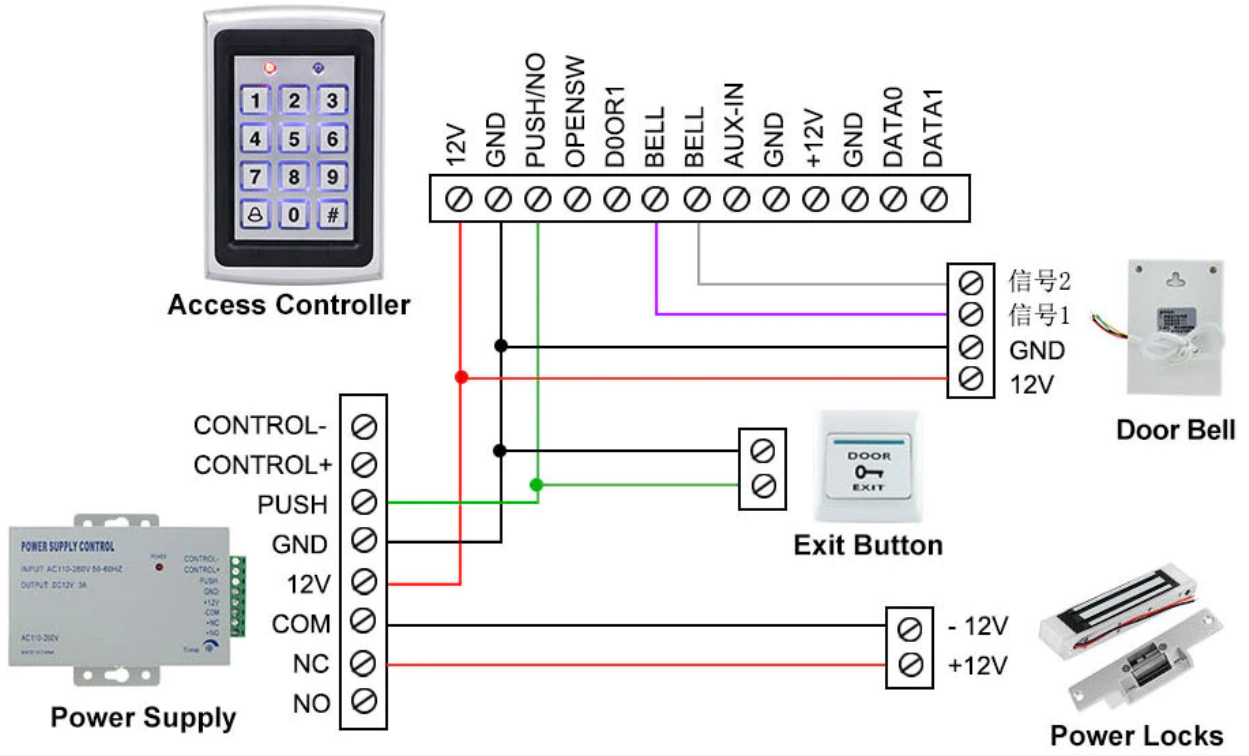
### Baęlantı Őeması

Bu EriŐim Kontrol TuŐ Takımının bilgisayara baęlanmasına gerek yoktur. Sadece DC12V g¼c kaynaęına, elektrikli kilide, ıkıŐ d¼ęmesine baęlamanız yeterlidir. O zaman tamam.

G¼c kaynaęı ve elektrikli kilit, ıkıŐ d¼ęmesi, kapı zili pakete dahil deęildir, ihtiyacınız varsa l¼tfen bizimle iletiŐime gein. TeŐekk¼r ederim!

# The back of Machine





ilgili ürünler



**SHENZHEN GOLDBRIDGE INDUSTRIAL CO.,LTD**  
**Factory Wholesale with 20% Discount OFF - RFID Cards,**  
**RFID Reader, Access Control , Locks, Exit Button**



125Khz EM4100 Proximity Card (ACM-EMI-S)	Mifare 1K ISO Blank Card (ACM-MF1)	125Khz Clamshell Thick Card (ACM-EMC-I)	125Khz EM4100 rfid Key fob (ACM-ABS003)	125Khz EM Silicon Wristband (ACM-W003/005)
USB Desktop Reader (ACM-08M)	Access control rfid reader (ACM-302)	Access control rfid reader (ACM28A)	Keypad access control reader (ACM-305)	Access control rfid reader (ACM-26)
Metal Touch Screen Keypad IP65 Access Controller (ACM-A10)	Touch Keypad Access Controller (ACM225)	Metal Keypad Access controller (ACM208A)	Keypad standalone RFID Access Controller (ACM223)	Metal Keypad Access Controller (ACM209A)
2-6Meter UHF Long range rfid reader (ACM813A)	6-12Meter UHF Reader (ACM802A)	10-20Meter UHF Reader (ACM819A)	8-12Meter UHF Reader (ACM803A)	UHF USB Desktop Encode Reader /Writer with SDK (ACM-217UHF)
60kg/120lbs EM Lock (ACM-Y60)	180kg/300lbs LED EM Lock (ACM-Y180)	280kg/600lbs Timer /LED EM Lock (ACM-Y280-5PIN)	Long type Fail safe Electric Strike(ACM-Y132)	Drop bolt Deadbolt Lock, Power to unlock (ACM-Y100)
Yale Waterproof Electric RIM Lock (ACM-Y045)	No touch Door Release Exit Button (ACM-K2A/K6A)	Dual function : Power Supply+exit button (Y802A)	QR CODE Scanner rfid Reader	Passport ID Scanner (ACM901)

**SHENZHEN GOLDBRIDGE INDUSTRIAL CO.,LTD**

Whatsapp: +86-14554918707 , E-mail: lilyjiang\_06@163.com, sales@goldbridgesz.com ; www.goldbridgesz.com

For More Products Price List and informations , Please contact our sales at sales@goldbridgesz.com, thank you !

20<sup>+</sup> YEARS EXPERIENCE

# OEM & ODM

ACCESS CONTROL SYSTEMS ONE STOP SOLUTION PROVIDER

Goldbridge is Top 10 China Manufacture On Alibaba, Specializes In Provide Kinds Of RFID/NFC Cards, FID Tags, RFID Card Reader, UHF Reader, Access Control System, Electromagnetic Locks, etc Since 1999



Customized Services



Quality Assurance



Fast Delivery



Best After-Sales Service

## ADVANTAGE



### WHY CHOOSE US?

- 1 FAST DELIVERY** Faster delivery by air by express. (DHL, UPS or Fedex)
- 2 LONG HISTORY** 20 years experience in RFID & Access Control industry
- 3 OEM ACCEPTABLE** 20 years OEM&ODM experience for 1000 + VIP client from US and Europe
- 4 HIGH QUALITY** Design and manufacture high quality products with 30 R&D; engineers.

## OEM PROCESS



01 Identify requirements



02 Free design



03 Sign a contract



04 Order production



05 Pay the retainage



06 Arrange delivery



# PRODUCT CATEGORY

## RFID / NFC SMART CARD

Be customized according to you need

Fit for systems of transport, E-payment, Access Control, Event, Loyalty, ect.



[View More](#)

## ACCESS CONTROL SYSTEM



Security for All: Network Access Control Board ,Standalone Access Controller, Biometric Access Control, T&A time attendance, Facial Access Control

[View More](#)

## RFID & LONG RANGE UHF READER

20+ Years of professional Experience in production of rfid uhf hardware

- UHF desktop reader writer,
- UHF integrated reader,
- UHF R2000 fixed reader,



[View More](#)

## ELECTRONMAGNETIC LOCK

Professional Electric Locks Manufacturer In China

Electromagnetic lock with OEM & ODM since 1999 60KG /110KG /180KG /280KG /350KG /500KG



[View More](#)

# APPLICATION

Bus, supermarket, school, government, hospital, factory



# OUR PROJECT



Vehicle Access Control



Personnel Access Control



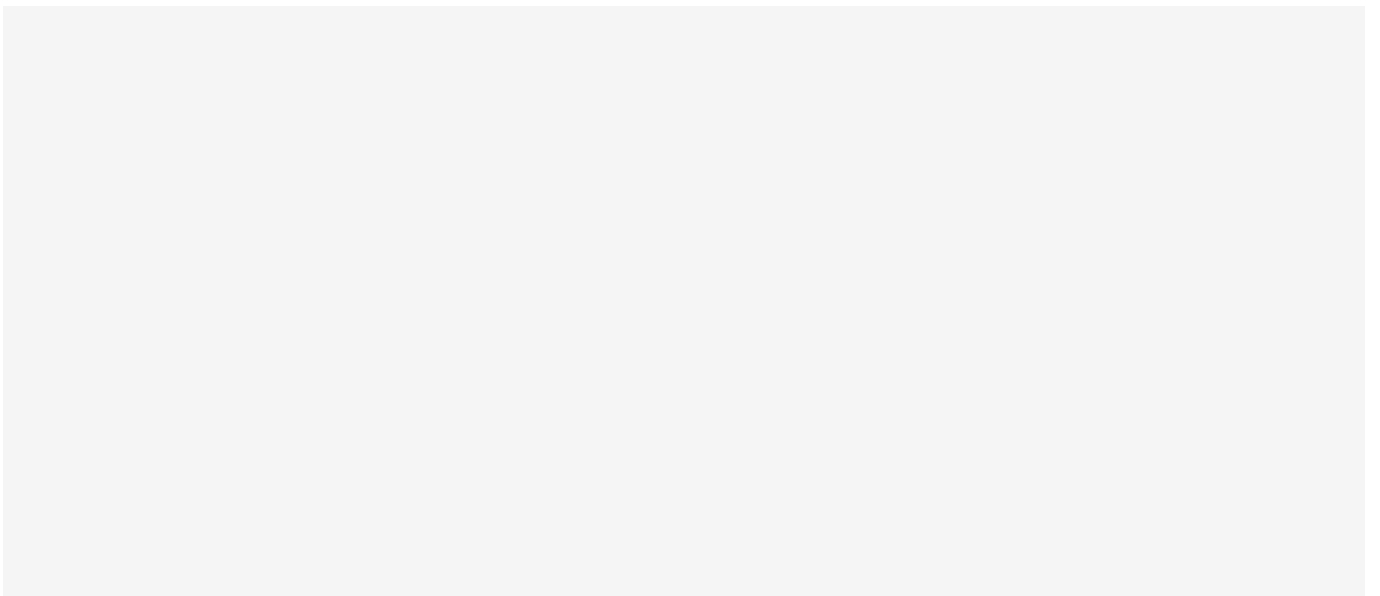
Logistics Management



Pipeline Management

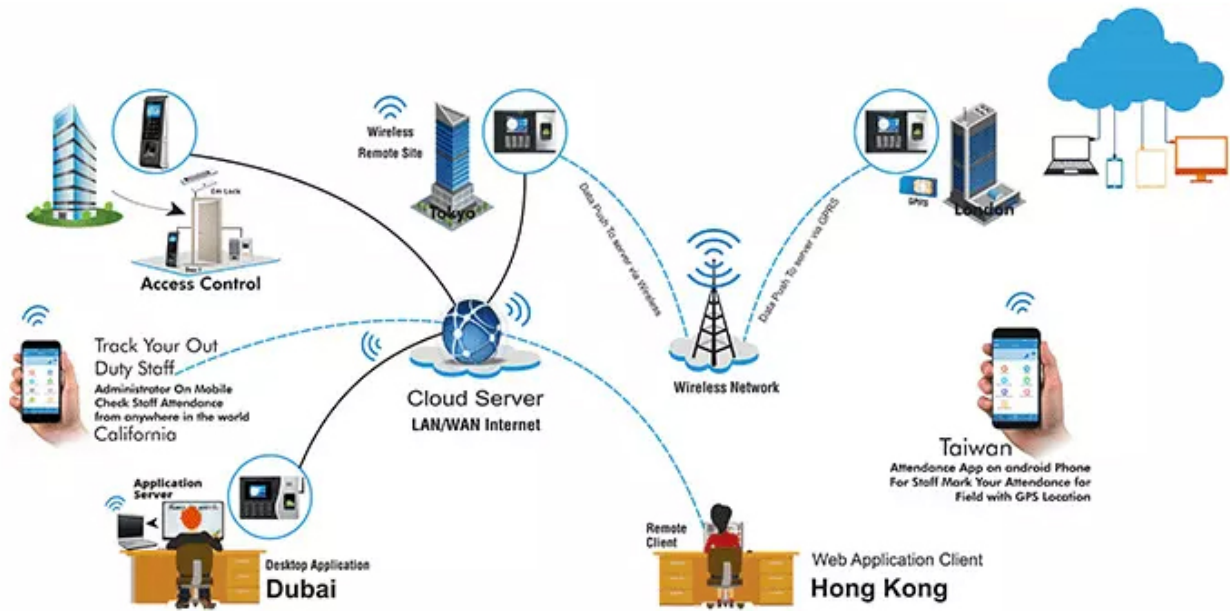


Automatic Charging Without Parking



# WEB CLOUD SOFTWARE

## Multi Location Attendance and Access Control Solutions



# HOT SALE



5m Range Intergrated UHF RFID Long Range Reader With Free SDK cheap UHF RFID Reader

Min.order : 1 Set

\$51.00-\$57.00



USB 13.56MHz RFID Reader Contactless Smart Card Reader

Min.order : 1 Piece

\$3.69-\$4.14



Wholesale stock Access control card contactless em4200 tk4100 t5577 rfid chip pvc smart blank proximity id 125khz em rfid card

Min.order : 1 Piece

\$0.05-\$0.07



Wholesale Custom Smart Proximity Bracelets Access Control Soft Silicone RFID Wristband

Min.order : 1 Piece

\$0.32-\$0.36



ACM Waterproof Metal Touch Keypad Standalone Fingerprint Digital Keypad Access Control with 125KHz EM Card Reader

Min.order : 1 Piece

\$24.00-\$26.00



Standalone Metal Access controller System IP67 Waterproof Keypad Door Entry Electronic RFID

Min.order : 1 Pieces

\$11.00-\$13.0



12V/24V 280kgs/600lbs Electric Remote Control Gate door em magnetic Lock

Min.order : 1 Piece

\$5.00-\$10.00



Touchless Switch IR Sensor Push Buttons No Touch Infrared Door Exit Release Button

Min.order : 1 Piece

\$2.00-\$5.00



Send Enquiry



深圳市海洋金桥有限公司  
SHENZHEN GOLDBRIDGE INTERNATIONAL CO.,LTD



*Supplier's Company*

# COMPANY PROFILE



**Shenzhen Goldbridge Industrial Co.,Ltd, Established in 1999, 20 Years rfid & Access Control products factory and supplier.** Include Smart cards, RFID tag , RFID & UHF Card readers, Access contro and Application System Solutions with **OEM & ODM services.**

Our factory covers an area of **4000 square metres** and empolyes more than **300 staff, it's ISO 9001:2000 qualified and serves world wide markets.**

GOLDBRIGE have a full set of advanced machines and experienced engineers and teams , which guarantees the quality of our products.

Our Products have been exported to various countries and regions, we have distributors in Singapore, American, Korea, UK, Egypt, UAE, Italy, etc. we have got our customer's well support and confidence both from Domestic and Overseas. 85% of our business comes from cooperated customers.

GOLDBRIDGE Strengths: Best Price & fast delivery, Large daily capacity, Comprehensive products Know-how, Wide range of Products. We are looking forward with our new relationship with all the sincerely customers.



# OUR FACTORY



- **Access Control and RFID Reader Production Line:**
- Monthly production quantity is up to 50,000pcs , We are Provides OEM&ODM services including product research and development, LOGO printing, customized.etc



- **Electromagnetic lock & Smart Door Lock Production Line :**
- Monthly production quantity is up to 100,000pcs ,
- Our factory is built with modern manufacture environment, facilities, equipment and professional operation technicians.
- Goldbridge Provides OEM&ODM services including product research and development, LOGO printing and product box customized.



- **RFID & NFC Cards & Tags Production Line :**
- RFID Tag, Wristband, Keyfob: 11,000,000pcs (monthly output)
- Four Production Lines For Smart Card, PVC Card, Prelam Sheet: 20,000,000pcs (monthly output)
- Goldbridge Provides OEM&ODM services for LOGO printing, development, customized.



# CERTIFICATE



Access Control CE



Access Control RoHS



EM Lock EMC Certificate



EM Lock ROHS Certificate



RFID Card Reader CE



RFID Card Reader RoHS



UHF Reader CE Certificate



UHF Reader ROHS

# REVIEWS

Supplier Service: **Very satisfied** (5 stars)

On-time Shipment: **Very satisfied** (5 stars)



PVC blank rfid chip ic/id magnetic stripe credit size c...



great product, great vendor, hope to deal with you again



Hot 10m-20m Passive Long range UHF 12dbi Antenn...



Good quality ,**fast delivery**



Desktop Read Contactless Smart 125Khz Proxl...



Very good customer service .



Fall safe electromagnetic 12V/24VDC LED timer 280k...



good

# PARTNER



# FAQ

## Q1 How can I place an order?

A1 Click start to order or list your requirement to us by email. Then we will send the offer to you ASAP, after the order confirmed, we will arrange production ASAP.

## Q2 What about the payment and shipment?

A3 T/T , Paypal, Western Union etc.  
You can choose your agent or via our agent by sea, air or express (DHL,FedEx, TNT UPS etc.)

## Q4 How can I get a sample to check your quality?

A4 We could provide the sample to you, pls check the sample cost and freight cost with us.

## Q5 How long can I expect to get the goods?

A5 It depends on the quantity and shipping way. You can check with us before ordered.

## Q6 Can your products be customized?

A6 Almost all of our products are customized , including the material, size, thickness and printing. OEM orders are highly welcome.



Contact Us



BACK TO HOMEPAGE >